

NEW DESIGN

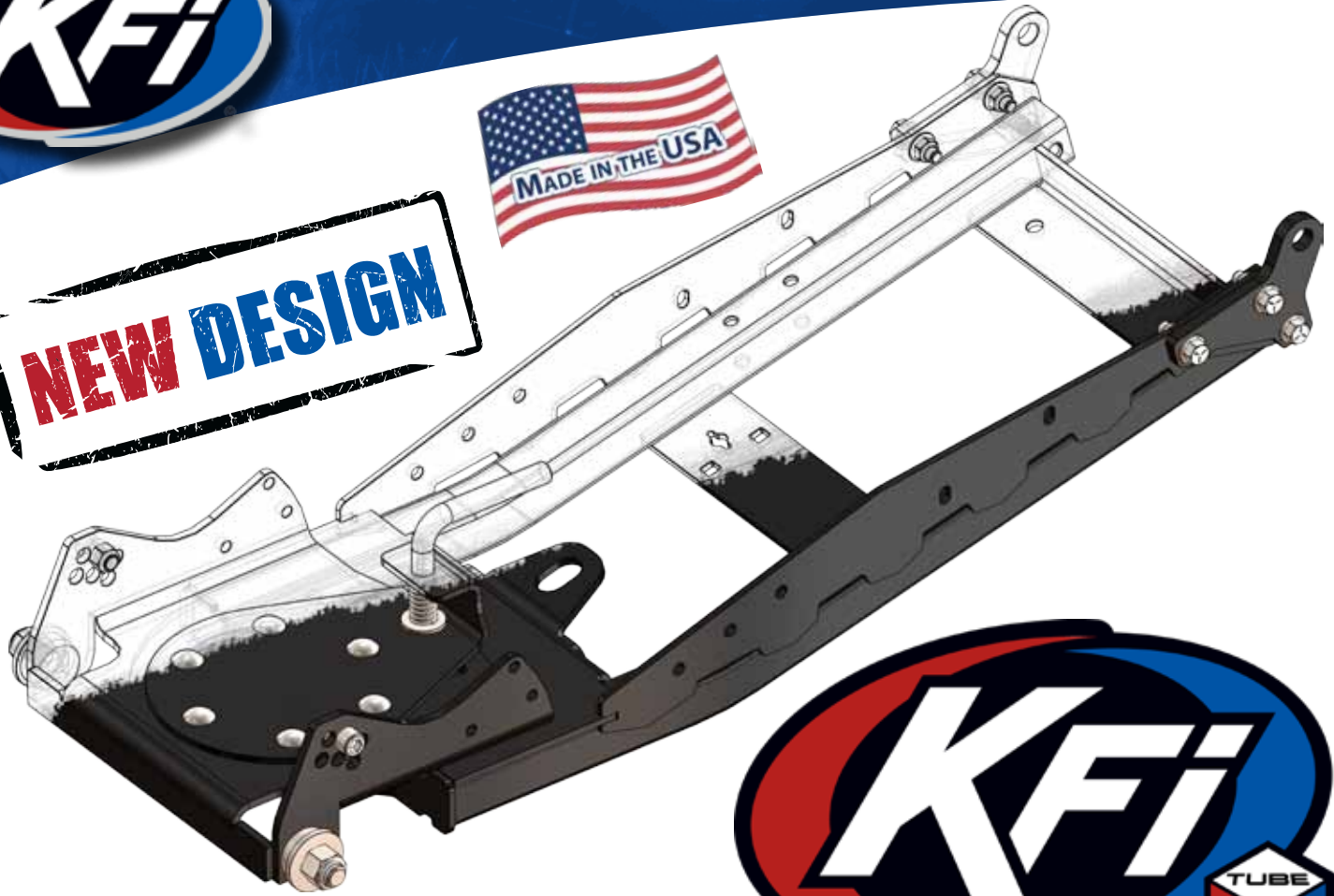
www.KFIproducts.com



KFI PRO 2.0 UTV PUSH TUBE



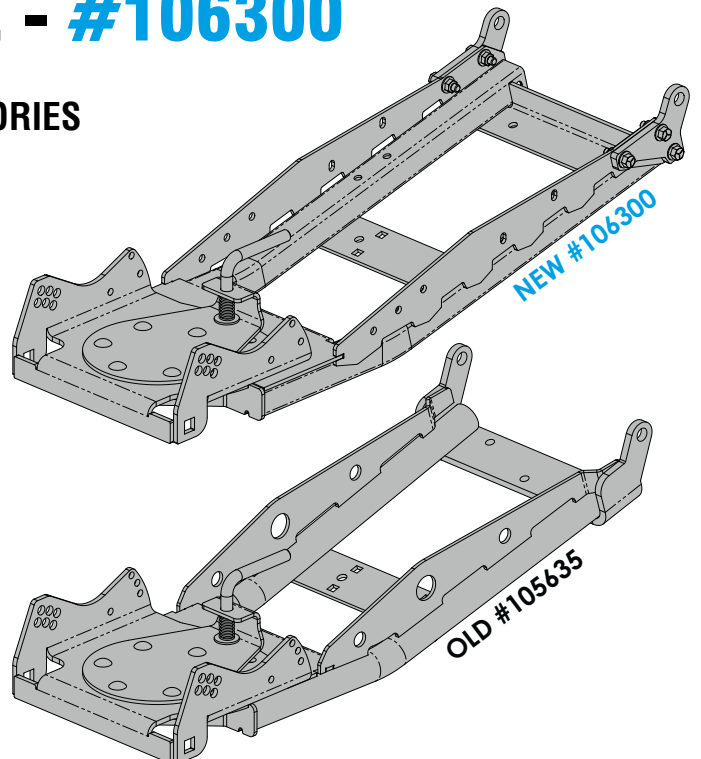
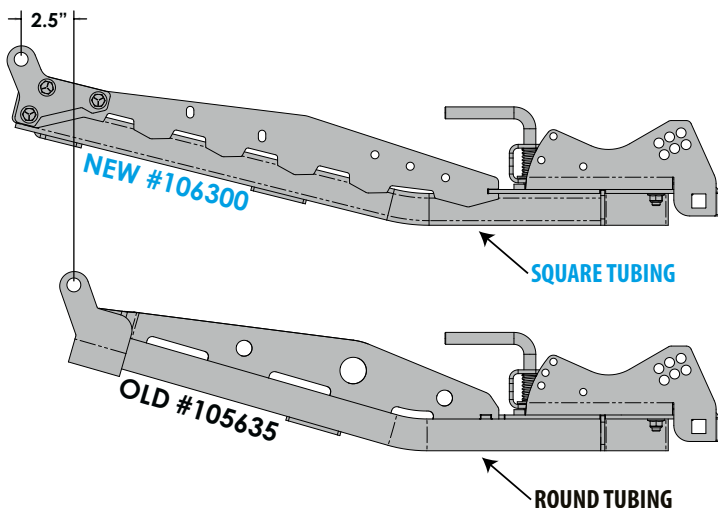
NEW DESIGN



www.kfi-products.com

PRO 2.0 UTV PUSH TUBE - #106300

- IMPROVED MANUFACTURING
- EASIER INSTALL FOR ALL PLOW ACCESSORIES
- ADDED 2.5" OF OVERALL LENGTH
- WORKS WITH ALL KFI PLOWS



PRO 2.0 TUBE ACCESSORIES



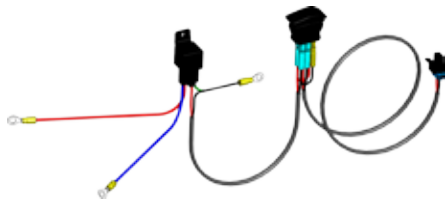
NEW PRO 2.0 TUBE ACCESSORIES

- All **NEW** line of accessories for the PRO 2.0 UTV Push Tube.
- Streamlined manufacturing process to allow for high quality parts in less time.
- **EASIER** installs to allow for less time assembling and more time plowing!
- **PRO 2.0** Push Tube Accessories only work with new push tube **#106300**.

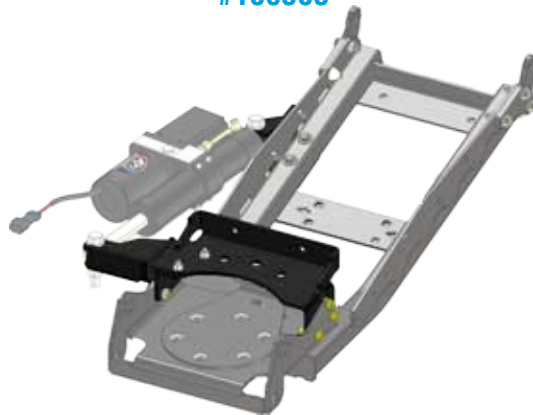
UTV PLOW ACTUATOR #ACT203



UTV PLOW ACTUATOR WIRING HARNESS #105940



PRO 2.0 ACTUATOR BRACKETS #106305



UTV TRACK EXTENSION #106330



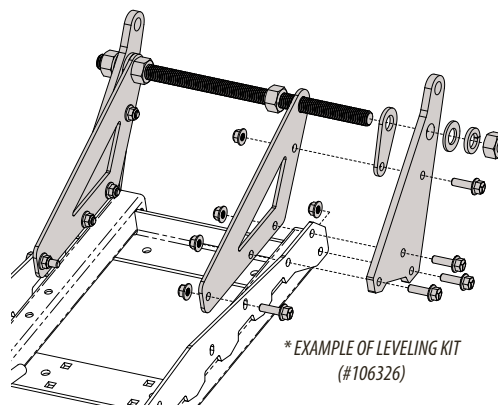
PRO 2.0 ACTUATOR TRACK EXTENSION BRACKETS #106335



PRO 2.0 GLACIER PLOW MOUNT ADAPTER - #106345



ATV/UTV 5-3/8" EXTENSION #106215



PRO 2.0 TUBE LEVELING KIT

- 1" #106320
- 1 OR 2" #106322
- 4" #106324
- 6" #106326

- See Selecting a Leveling Kit -
- Only work with Push Tube #106300

www.kfi-products.com





PLOW SYSTEM WITH TIRES



FOR MACHINES THAT HAVE TIRES.



TIRES

STEP 1

CHOOSE MACHINE SPECIFIC PLOW MOUNT
- See Plow Mount Application Charts -



* EXAMPLE OF MACHINE SPECIFIC PLOW MOUNT

STEP 2

ORDER PRO 2.0 UTV PUSH TUBE - #106300



STEP 3

CHOOSE SIZE AND TYPE OF KFI PLOW

- See Differences Between Steel and Poly Blades at KFIproducts.com -



AVAILABLE SIZES:

- 48" - #105048
- 54" - #105054
- 60" - #105060
- 66" - #105066
- 72" - #105072

OR



AVAILABLE SIZES:

- 60" - #105860
- 66" - #105866
- 72" - #105872



STEP 4

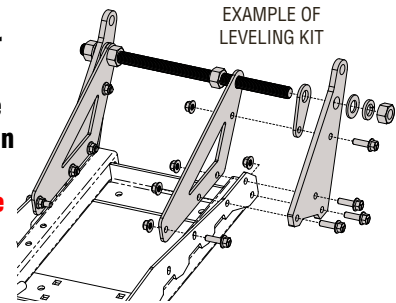
CHOOSE LEVELING KIT

- See Selecting a Leveling Kit -

FOR MACHINES THAT HAVE HIGHER A-ARMS, LIFT KITS, LARGER TIRES, OR ANYTHING THAT RAISES THE MACHINE TO ABOVE THE NORMAL STOCK HEIGHT, SEE STEP 4. IF THE MACHINE IS STOCK HEIGHT, STEP 4 IS NOT REQUIRED.



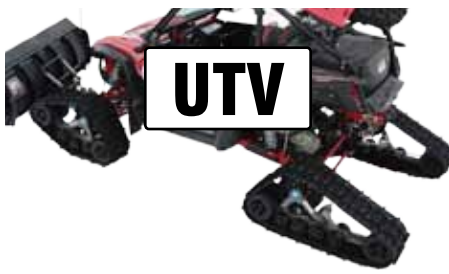
When a machine is lifted, the blade geometry for plowing is not ideal. In order to maintain the correct plow geometry, a leveling kit needs to be installed. See the leveling kits diagram for further explanation on leveling kits, along with how to choose the correct kit for your application. ***Some machines may require a plow leveling kit at stock height. See Application Chart for machines that require a leveling kit.**



EXAMPLE OF LEVELING KIT

www.kfiproducts.com

PLOW SYSTEM WITH TRACKS



UTV

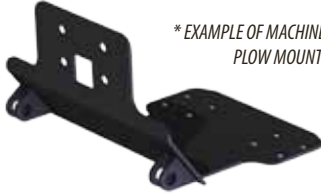
FOR MACHINES THAT HAVE TRACKS.



TRACKS

STEP 1

CHOOSE MACHINE SPECIFIC PLOW MOUNT
- See *Plow Mount Application Charts* -



* EXAMPLE OF MACHINE SPECIFIC PLOW MOUNT

STEP 2

ORDER PRO 2.0 UTV PUSH TUBE
#106300



STEP 3

CHOOSE SIZE AND TYPE OF KFI PLOW

- See *Differences Between Steel and Poly Blades at KFIproducts.com* -



AVAILABLE SIZES:

- 48" - #105048
- 54" - #105054
- 60" - #105060
- 66" - #105066
- 72" - #105072

OR



AVAILABLE SIZES:

- 60" - #105860
- 66" - #105866
- 72" - #105872

STEP 4

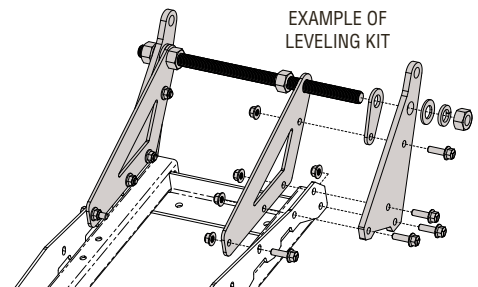
CHOOSE UTV TRACK EXTENSION BRACKET - #106330



STEP 5

CHOOSE LEVELING KIT
- See *Selecting a Leveling Kit* -

The added height from the tracks changes the intended geometry of the plow system. In order to maintain the correct plow geometry, a leveling kit needs to be installed. See the leveling kits diagram for further explanation on leveling kits, along with how to choose the correct kit for your application.



EXAMPLE OF LEVELING KIT

www.kfiproducts.com



SELECTING A LEVELING KIT

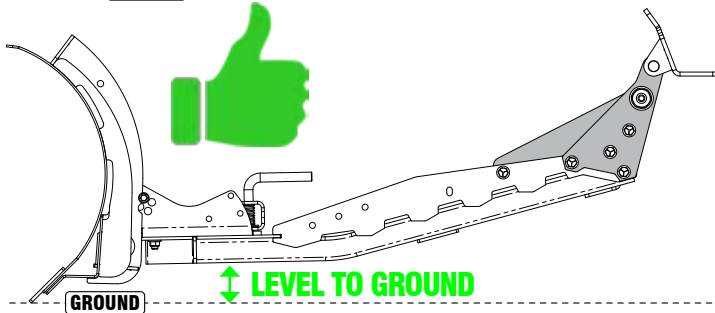
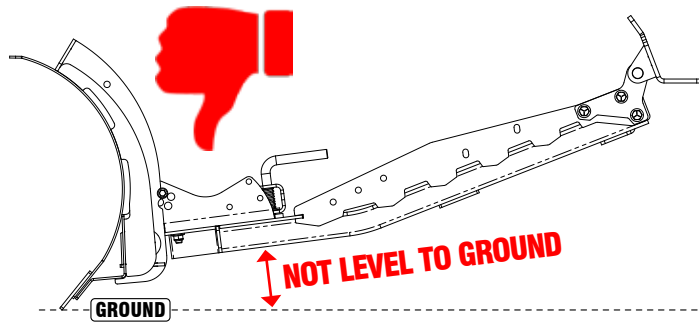
PRO 2.0 PLOW LEVELING KITS

- Does the machine have tracks, larger tires, higher A-arms, lift kit, or anything that raises the height of the machine from original stock height?
- Is the machine lower than stock height or has settled over time?
- Unlevel plowing causes strain on the plow system and leads to uneven wearing of the wear bars when the blade is rotated.
- By installing the correct KFI leveling kit for your application, the proper blade angle and plowing geometry will be restored.
- Specifically designed for use with KFI UTV Tubes #106300
- **DOES NOT** work with KFI UTV Tubes #105635
- Designed to bolt onto your existing tube system.
- Constructed of Grade 50 Steel
- All Hardware included

WITHOUT A LEVELING KIT

If the push tubes are not level to the ground it will cause:

- Incorrect blade attack angle
- Uneven wearing on wear bars when blade is rotated
- Added strain to plow system



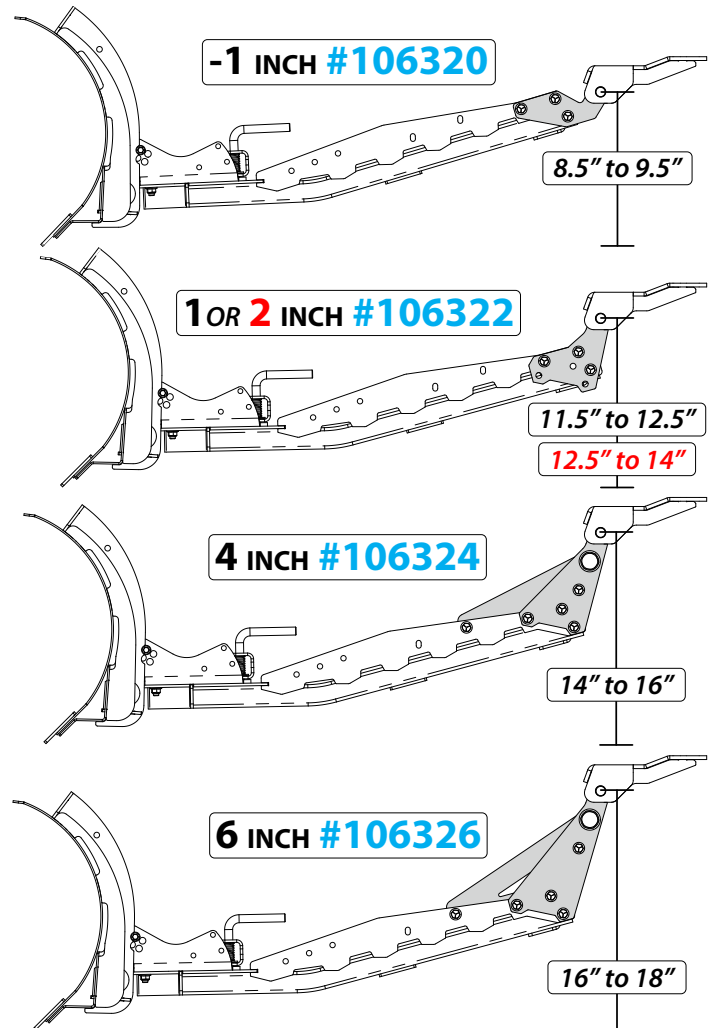
WITH A LEVELING KIT

- Guarantees ideal push tube geometry
- Correct blade attack angle
- Even wearing on wear bar when blade is rotated
- Less strain on plow system



MEASURING PIN HEIGHT

With the plow mount installed on the machine, measure from the ground to the center of the pin on the plow mount. KFI's ideal plow pin height is between 9.5" to 11.5". If the measurement falls below 9.5" or above 11.5", use the chart below to decide which leveling kit is needed:



PRO 2.0 ACTUATOR SET UP



HYDRAULIC ACTUATOR

- Tired of getting out of the machine to rotate the blade? This is the solution!
- Specifically designed for use with KFI UTV Tubes #106300
- Complete wiring kit with Carling Technologies Two-Way Dash Rocker Switch
- 1 Year Warranty on KFI Manufactured components
- Rotates up to full 25 degrees in both directions
- Does NOT include the Tube System #106300 (Purchase separately)
- All Hardware Included



TIRES

Does the machine have
TIRES or **TRACKS**?



TRACKS

REQUIRED PART NUMBERS

- Pro 2.0 Actuator Brackets - #106305
- Actuator Wiring Harness - #105940
- Hydraulic Actuator - #ACT203



REQUIRED PART NUMBERS

- Pro 2.0 Track Extension
Actuator Brackets - #106335
- Actuator Wiring Harness - #105940
- Hydraulic Actuator - #ACT203



ACTUATOR REPLACEMENT PARTS

- Actuator Heim Joint - #ACT-0003
- Actuator Switch - #ACT-DRS



#ACT-0003



#ACT-DRS



www.kfiproducts.com



www.KFIproducts.com

1-877-346-2050

orders@KFIproducts.com

**721 SATA DRIVE
SPRING VALLEY, MN 55975**