



PRODUCTS

GET HOOKED

DON'T GET STUCK WITHOUT US!

WWW.KFIPRODUCTS.COM



@kfiproducs

VOLUME 5.0



KFI TIGERTAIL™ SYSTEM

KFI TigerTail™ Tow System

The Toughest & Quickest, Tangle Free Tow System for ATV's and UTV's...Period!

TigerTail is the only QUALITY ATV and UTV retractable tow rope available today! Superior to a tow strap and wicked fast compared to any electric winch. Its retractable design allows for a quick, easy and clean use for towing or as an anchor-line during poor underfoot winch operations! The best of tow systems!!

Features:

- MADE IN USA.
- 12 Feet of 12,000 lb Avg. Breaking Strength Rope with wear resistant coating
- Self Locking Hook Storage
- 3/16" Grade 50 Steel Construction
- Fully sealed and lubricated mechanism tested to 14,000+ cycles
- Shot Blasted and Powder coated Black for supreme durability
- Convenient Operation and Easy to Use
- Quality Built and Dependable Performance
- Rugged design for the toughest environments – no electrical parts to burn up
- Constant Tension
- Keeps your gear clean – no more dirty tow straps to carry
- 100% serviceable components
- Fully integrates to your ATV or UTV – Never Left Behind
- Patented

Specifications:

- Weight: 9 lbs
- Length x Width x Height: 10" x 6" x 8"
- Rope Length: 12 feet with wear resistant coating
- Average Rope Break Strength: 12,000 lbs

No. 101110 KFI TigerTail 2" Receiver Adjustable Mount

No. 101115 KFI TigerTail 1-1/4" Receiver Adjustable Mount

No. 101120 KFI TigerTail Tow System

No. 101140 KFI TigerTail Ball/Pin Hitch Adaptor



#101120



#101110



#101110 & #101115
Work with standard 3.00 x 4.875"
bolt up pattern winches



#101140



#101115

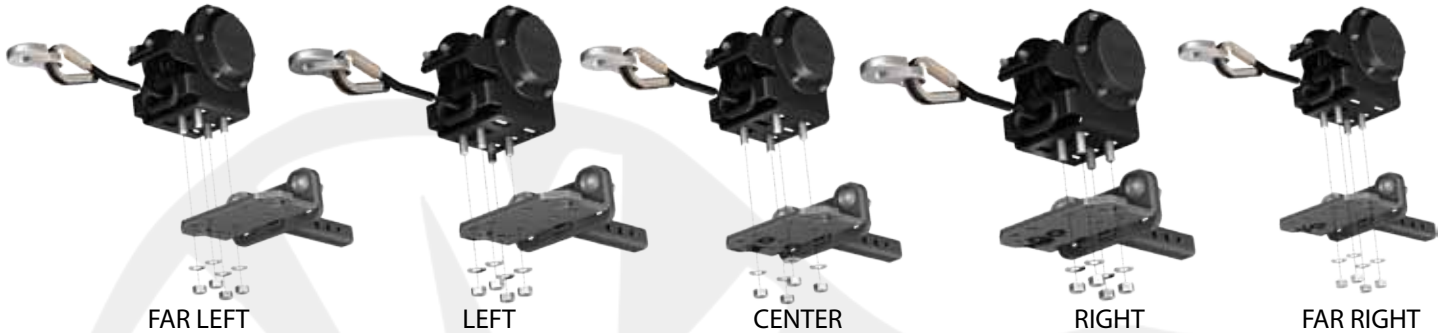


KFI TIGERTAIL™ SYSTEM



The KFI Tiger Tail is available in a variety of tough powder coated colors to suit your style and preference. Choose from our various options like Kawasaki Green, John Deere Green, Can-am Yellow, White, Silver, Desert Tan, Black, Red, Orange, and Blue. These durable and long-lasting finishes not only add a pop of color but also provide enhanced protection against the elements. Whether you want a bold and vibrant look or a more subtle and classic appearance, the KFI Tiger Tail offers a range of powder coated colors to match your needs.

- No. 101120 TigerTail Black (Standard)
- No. 101120-WH TigerTail White
- No. 101120-SL TigerTail Silver
- No. 101120-DT TigerTail Desert Tan
- No. 101120-GR TigerTail John Deere Green
- No. 101120-RD TigerTail Red
- No. 101120-BL TigerTail Blue
- No. 101120-OR TigerTail Orange
- No. 101120-KG TigerTail Kawasaki Green
- No. 101120-CY TigerTail Can-Am Yellow



KFI TigerTail™ Replacement Parts

- No. 101121-R 12' TigerTail Replacement Rope (Black)
- No. 41027-R Tiger Tail Replacement Spring Cover
- No. 41019-R TigerTail Replacement Spool



#101121-R



#41019-R



#41027-R

Need to replace your rope? Scan the QR code to go to our installation video!



www.kfiproducts.com





ATV SERIES WINCHES

ATV Steel Cable Winches

Our KFI ATV Series Winch Kits feature quality cast aluminum and steel components, a single planetary gear system, water-resistant seals, a standard 4-hole mounting design, and a heavy-duty all-metal turn clutch. Each ATV winch kit includes a full complement of accessories, such as a Premium Roller Fairlead, a fairlead bracket, a Mini-Rocker Handlebar Switch, and a Heavy Duty Electric Contactor to protect the electrical system. Additionally our 3000lb ATV series winch includes a 14' corded hand-held remote. Our winch kits also come with detailed installation instructions as well as all hardware necessary to mount your winch to a model-specific ATV winch mount.

Please Note: An ATV model-specific winch mount must be purchased separately. All our A Series winches are backed by our KFI 1-Year Limited Lifetime Warranty!

WATER RESISTANT



A2000 WINCH

Our 2000lb ATV Series winch features Water Resistant seals to keep the elements out, a standard 4-hole mounting design and a heavy duty all metal turn clutch.

- Rated Line Pull: 2000 lbs.
- Motor: 12V DC, 1.0 hp permanent magnet.
- Gear Ratio: 171:1.
- Cable: 5/32" D x 49' L.
- Winch Dimensions: 12.28" L x 4.2" D x 4.4" H.
- Mounting Bolt Pattern: 3.00" x 4.875" (4-Hole).
- Winch Weight: 24.8 lbs.

No. A2000

WATER RESISTANT



A2500-R2 WINCH

Our 2500lb ATV Series winch features Water Resistant seals to keep the elements out, a standard 4-hole mounting design and a heavy duty all metal turn clutch.

- Rated Line Pull: 2500 lbs.
- Motor: 12V DC, 1.2 hp permanent magnet.
- Gear Ratio: 171:1.
- Cable: 3/16" D x 45.9' L.
- Winch Dimensions: 12.67" L x 4.06" D x 4.29" H.
- Mounting Bolt Pattern: 3.00" x 4.875" (4-Hole).
- Winch Weight: 25.7 lbs.

No. A2500-R2

WATER RESISTANT



A3000 WINCH

Our 3000lb ATV Series winch features Water Resistant seals to keep the elements out, a standard 4-hole mounting design and a heavy duty all metal turn clutch.

- Rated Line Pull: 3000 lbs.
- Motor: 12V DC, 1.3 hp permanent magnet.
- Gear Ratio: 171:1.
- Cable: 3/16" D x 45.9' L.
- Winch Dimensions: 13.39" L x 4.06" D x 4.29" H.
- Mounting Bolt Pattern: 3.00" x 4.875" (4-Hole).
- Winch Weight: 24.8 lbs.
- Includes #ATV-HR

No. A3000

GET HOOKED



UTV Steel Cable Winches

Our KFI UTV Series Winch Kits feature quality cast aluminum and steel components, a triple planetary gear system, water-resistant seals, a standard or wide 4-hole mounting design, and a heavy-duty all-metal turn clutch. Each UTV winch kit includes a full complement of accessories, such as a Premium Roller Fairlead, a fairlead bracket, a Mini-Rocker Handlebar Switch, a 14' corded Hand-held Remote, a Dash Rocker Switch, and a Heavy Duty Electric Contactor to protect the electrical system. Our winch kits also come with detailed installation instructions as well as all hardware necessary to mount your winch to a model-specific UTV winch mount.

Please Note: A UTV model-specific winch mount must be purchased separately. All our U Series winches are backed by our KFI 1-Year Limited Lifetime Warranty!

U45-R2 STANDARD BOLT PATTERN WINCH

Our 4500lb Standard UTV winch features Water Resistant seals to keep the elements out, a standard 4-hole mounting design and a heavy duty all metal turn clutch.

- Rated Line Pull: 4500 lbs.
- Motor: 12V DC, 1.7 hp permanent magnet.
- Gear Ratio: 166:1.
- Cable: 15/64" D x 38' L.
- Winch Dimensions: 14.6" L x 4.55" D x 5.0" H.
- Mounting Bolt Pattern: 3.00" x 4.875" (4-Hole).
- Winch Weight: 36.6 lbs.
- Hand-held remote and a dash rocker switch included.

No. U45-R2

WATER RESISTANT



U45w-R2 WIDE BOLT PATTERN WINCH

Our 4500lb Wide UTV winch features Water Resistant seals to keep the elements out, a standard 4-hole mounting design, a heavy duty all metal turn clutch, and 14' additional footage of cable from our Standard 4500lb UTV Winch.

- Rated Line Pull: 4500 lbs.
- Motor: 12V DC, 1.7 hp permanent magnet.
- Gear Ratio: 166:1.
- Cable: 15/64" D x 52' L.
- Winch Dimensions: 16.3" L x 4.55" D x 5.0" H.
- Mounting Bolt Pattern: 3.00" x 6.60" (4-Hole).
- Winch Weight: 39.0 lbs. (Complete)
- Hand-held remote and a dash rocker switch included.

No. U45w-R2

WATER RESISTANT



www.kfiproducts.com

ASSAULT BY KFI

SERIES WINCH

ATV ASSAULT Winches

The KFI Assault Series Winch is our new line of ATV/UTV Winches. This series of winch has a range of options, including 2500lb to 3500lb winches with both steel cable and synthetic cable options, and 5000lb winches in synthetic cable only. The Assault series winches were designed with a smaller profile to allow them to fit various machines they couldn't before. These winches are built to last with quality cast aluminum and durable all-steel gearing. They feature a dynamic and mechanical braking system that ensures safety and control when winching, and additional seals have been added to make them even more water-resistant. Each winch package now includes an all-new heavy-duty electric contactor to protect the electrical system, a standard 4-hole mounting design, and a heavy-duty all-metal turn clutch. Our entire line of Assault Series Winches are backed by our 2-year limited lifetime warranty.

Please Note: A vehicle-specific winch mount must be purchased separately.

2500lb ASSAULT WINCHES

2500lb Assault Winch Specifications:

- Rated Line Pull: 2,500 lbs.
- Motor: 12V DC, 1.07 hp permanent magnet.
- Gear Ratio: 180:1.
- Winch Dimensions: 13.5" L x 4.44" D x 4.76" H.
- Mounting Bolt Pattern: 3.00" x 4.88" (4-Hole).
- Includes a Mini-Rocker Handlebar Switch (#ATV-MR)



2500lb ASSAULT STEEL CABLE WINCH

- Aluminum Drum with Steel Cable: 3/16" D x 45.9' L.
- Winch Weight: 25.1 lbs.

No. **AM-25**

WATER RESISTANT

3500lb ASSAULT WINCHES

3500lb Assault Winch Specifications:

- Rated Line Pull: 3,500 lbs.
- Motor: 12V DC, 1.15 hp permanent magnet.
- Gear Ratio: 180:1.
- Winch Dimensions: 13.62" L x 4.44" D x 4.76" H.
- Mounting Bolt Pattern: 3.00" x 4.88" (4-Hole).
- Mini-Rocker Handlebar Switch Included (#ATV-MR)
- 14' Corded Hand-held Remote Included (#ATV-HR)



3500lb ASSAULT STEEL CABLE WINCH

- Aluminum Drum with Steel Cable: 3/16" D x 45.9' L.
- Winch Weight: 26.5 lbs.

No. **AM-35**

WATER RESISTANT



2500lb ASSAULT SYNTHETIC CABLE WINCH

- Steel Drum with Synthetic Cable: 3/16" D x 50' L. (Smoke Color)
- Cable Hook Stopper Included (#ATV-SCHS)
- Winch Weight: 24.3 lbs.

No. **AS-25**

WATER RESISTANT



3500lb ASSAULT SYNTHETIC CABLE WINCH

- Steel Drum with Synthetic Cable: 3/16" D x 50' L. (Smoke Color)
- Cable Hook Stopper Included (#ATV-SCHS)
- Winch Weight: 25.6 lbs.

No. **AS-35**

WATER RESISTANT

ASSAULT BY KFI SERIES WINCH

UTV ASSAULT Winches

5000lb STANDARD BOLT PATTERN ASSAULT WINCH

Our Standard 5000lb Assault Series Winch (#AS-50x) now has a smaller profile, making it possible for it to fit certain ATV models.

Please Note: 5000lb Assault winches will come with a UTV Dash Rocker switch, so if you want to use the AS-50x on an ATV system, you will want to purchase a mini-rocker handlebar switch separately (#ATV-MR).

Standard 5000lb Assault Winch Specifications:

- Rated Line Pull: 5000 lbs.
- Motor: 12V DC, 1.22 hp permanent magnet.
- Gear Ratio: 180:1.
- Synthetic Cable: 15/64" D x 38' L. (Smoke Color)
- Winch Dimensions: 13.9" L x 4.45" D x 4.76" H.
- Mounting Bolt Pattern: 3.00" x 4.875" (4-Hole).
- Winch Weight: 26.0 lbs.
- Cable Hook Stopper Included (#ATV-SCHS)
- 14' Corded Hand-held Remote Included (#ATV-HR)
- Dash Rocker Switch Included (#UTV-DRS)

No. AS-50x

WATER RESISTANT



5000lb WIDE BOLT PATTERN ASSAULT WINCH

Our Wide 5000lb Assault Series Winch (AS-50wx) is specially designed to fit UTV systems. As our most premium winch the AS-50wx is sure to pull you out of any situation.

Wide 5000lb Assault Winch Specifications:

- Rated Line Pull: 5000 lbs.
- Motor: 12V DC, 1.22 hp permanent magnet.
- Gear Ratio: 180:1.
- Synthetic Cable: 15/64" D x 50' L. (Smoke Color)
- Winch Dimensions: 15.63" L x 4.45" D x 4.76" H.
- Mounting Bolt Pattern: 3.00" x 6.60" (4-Hole).
- Winch Weight: 27.8 lbs.
- Cable Hook Stopper Included (#ATV-SCHS)
- 14' Corded Hand-held Remote Included (#ATV-HR)
- Dash Rocker Switch Included (#UTV-DRS)

No. AS-50wx

WATER RESISTANT



www.kfiproducts.com



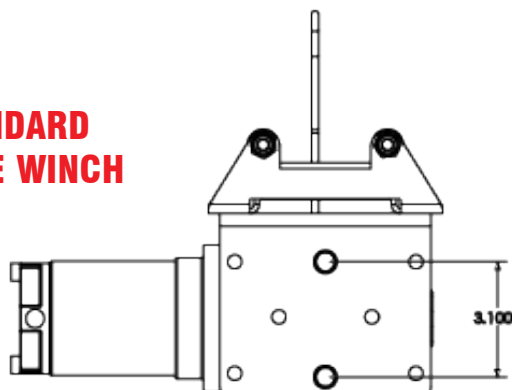
KFI WINCH VERSIONS



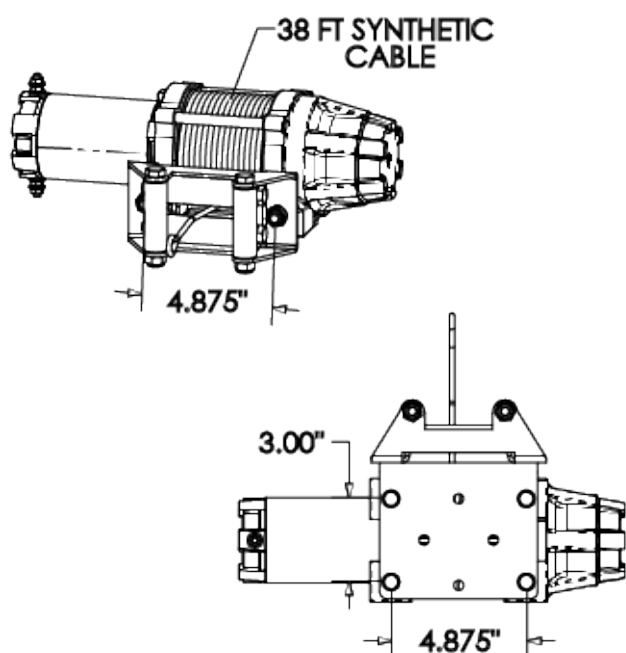
At KFI Products, we take pride in our commitment to designing winch mounts that perfectly complement a wide range of winches. When crafting our ATV specific winch mounts, we've made it a priority to accommodate the standard 2 hole and 4 hole ATV winch bolt patterns. This design philosophy extends to our UTV mounts as well, as we aim to incorporate the standard 2 hole, 4 hole, and 4 hole wide winch bolt patterns into our UTV winch mounts.

Please Note: Each KFI winch mount is uniquely designed to specific vehicles and their distinct characteristics. We invite you to explore our website for more in-depth information about the winch mount designed for your particular vehicle!

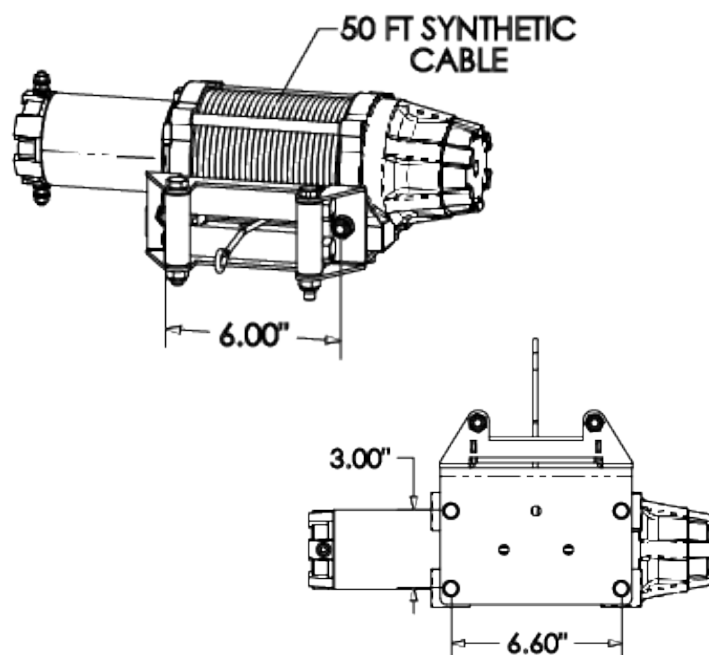
STANDARD 2-HOLE WINCH



STANDARD 4-HOLE WINCH



WIDE 4-HOLE WINCH



WIDE WINCH ADVANTAGES

- 50' OF CABLE INSTEAD OF 38' ON ALL 4500LB+ WINCHES
- LESS INSTALL TIME FOR SERVICE DEPARTMENT
- MOST UTV'S ARE DESIGNED FOR WIDE FAIRLEADS
- NO NEED TO INSTALL FAIRLEAD CONVERSION BRACKET
- LESS AMP DRAW FOR 38% LONGER PERIOD OF TIME ON CHARGING SYSTEM
- STRONGER PULL POWER FOR 38% LONGER PERIODS OF TIME
- EACH LAYER OF CABLE ON YOUR DRUM IS A GEAR CHANGE
- THE LENGTH OF EACH LAYER IS 38% LONGER THAN STANDARD
- LESS MOTOR HEAT BUILD UP, REDUCING THE CHANCE OF MOTOR FUSE OUT

GET HACKED





KFI REPLACEMENT WINCH MOTORS

Features:

- Complete Pre-assembled Motor
- Quick & Easy Install
- Sealed
- Includes parts listed below:
 - Motor
 - Bushing



Part Number	Description	Compatible Winches
No. MOTOR-17-BL	KFI Replacement 1700lb Motor	ST17
No. MOTOR-20-BL	KFI Replacement 2000lb Motor	A2000
No. MOTOR-25-BL	KFI Replacement 2500lb Motor	A2500-R2 / SE25
No. MOTOR-30-BL	KFI Replacement 3000lb Motor	A3000
No. MOTOR-35-BL	KFI Replacement 3500lb Motor	SE35
No. MOTOR-45-BL	KFI Replacement 4500lb Motor	U45-R2 / U45w-R2 / SE45-R2 / SE45w-R2
No. MOTOR-AS25	KFI Replacement 2500lb Motor	AM-25 / AS-25 / ASP-25 / AMP-25
No. MOTOR-AS35	KFI Replacement 3500lb Motor	AM-35 / AS-35 / ASP-35 / AMP-35
No. MOTOR-AS50	KFI Replacement 5000lb Motor	AS-50x / AS-50wx

KFI REPLACEMENT MOTOR END-CAP

Specifications:

- Complete Pre-assembled End-Cap
- Powder coated BLACK (will work with older KFI grey winches)
- Includes the following parts:
 - Aluminum Cap
 - Cap Seal
 - Brushes and Springs
 - Crush Carrier



Part Number	Description	Compatible Winches
No. SE-A-CAPKIT	KFI Replacement Motor End-Cap	A2000 / A2500-R2 / A3000 / SE25 / SE35
No. SE-U-CAPKIT	KFI Replacement 2000lb Motor	U45-R2 / U45w-R2
No. AS-CAPKIT	KFI Replacement 2500lb Motor	AM-25 / AS-25 / AM-35 / AS-35 / AS-50x / AS-50wx / AMP-25 / ASP-25

For all other winch replacement parts contact us @1-877-346-2050

www.kfiproducts.com





ELECTRICAL WINCH ACCESSORIES

MINI-ROCKER HANDLEBAR SWITCH



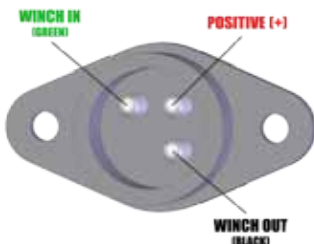
Take control of your winch with the Mini-Rocker Switch. Attach it to your ATV's handlebars using the adjustable bracket to control your winch with the touch of your finger without ever letting go of your handlebars. This switch will work with most brands of ATV winches with electrical contactor.

Features:

- 10' long wires
- Includes all hardware
- Can be surface mounted on UTV's
- Noticeable protrusion on the "IN" button

No. ATV-MR

UNIVERSAL 14' CORDED HAND-HELD REMOTE KIT



Features:

- Power in/power out
- Small compact design
- Universal 12V remote with 14' cord
- Compatible with most 12V ATV winch systems that have a standard contactor
- Includes socket for plugging in the remote that can be placed where desired

No. ATV-HR

HANDLEBAR MOUNTED ROCKER SWITCH (Clam Style)



Features:

- Mounts directly to your handlebars without the need for additional brackets.
- Requires the standard ATV winch contactor #ATV-CONT to control your winch
- Comes equipped with 10-foot long wires for added convenience during install.

No. ATV-CMR

#UTV-DRS



#UTV-DRS-K



UTV DASH ROCKER SWITCH

Features:

- Blue LED illuminated when your key is turned on to allow you to see at night
- Circuit type (ON)-OFF-(ON)
- Double pole switch. This mean two contact points instead of just one for better repeatability operation
- Requires mounting hole 0.830" x 1.450" (standard on most UTV's)
- Works with panel thickness ranging from .030" to .250" thick
- Max current rating: 20A 12VDC and 15A 24VDC
- Silver plated terminals
- Will work with most brands of ATV and UTV winches on the market with the standard electrical contactor

Kit Includes:

- UTV Dash Rocker Switch and the Wire Harness with plug for easy wiring installation

No. UTV-DRS UTV Dash Rocker Switch (Switch Only)

No. UTV-DRS-K UTV Dash Rocker Switch Kit

REPLACEMENT CONTACTOR BLOCKS

Compatible with a wide range of winches, including all KFI models, as well as various other leading winches on the market.

No. ATV-CONT Standard Replacement

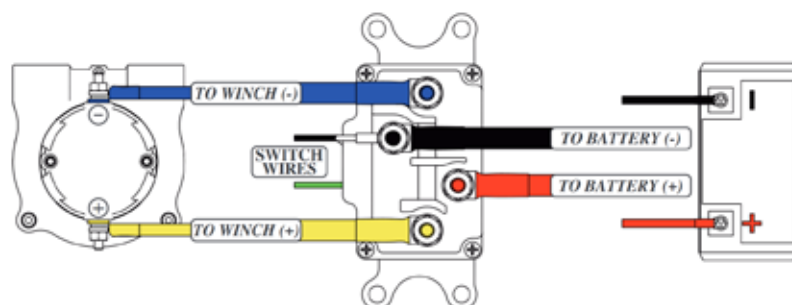
No. AS-CONT Assault Series



#ATV-CONT



#AS-CONT





UNIVERSAL 12V WIRING KIT



Kit Includes:

- 6 Gauge Wire
- 8ft Winch & 3ft Battery Wire
- Handlebar Mini-Rocker Switch
- Heavy Duty Electrical Contactor
- Color coded wires for both winch and battery
- Installation Manual

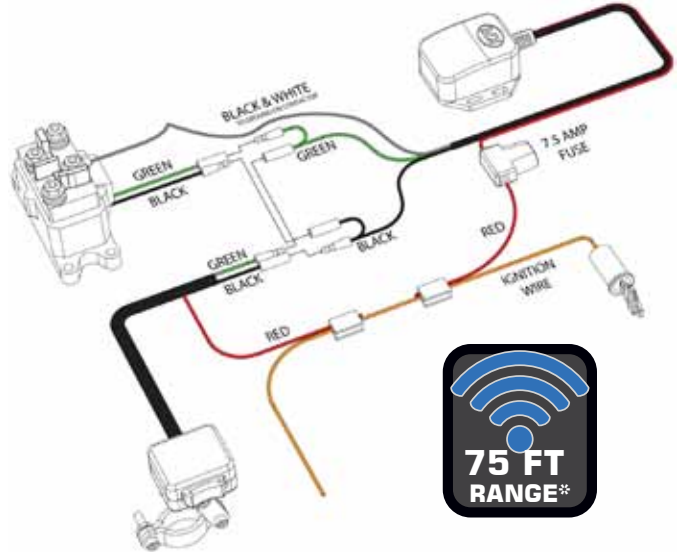
No. ATV-WK

WIRELESS WINCH CONTROLLER

Kit Includes:

- Receiver w/ Wiring Harness
- Holster (handlebar or dash mount)
- Keyring carabiner and lanyard
- Wireless Remote
- Mounting hardware
- Wire Tap
- (2x) AAA batteries

No. KFI-WRC



UTV WIRE EXTENSION KIT



Kit Includes:

- 6 gauge wires
- Terminal covers
- 11' Battery Cable with ends
- Color coded wires tips for winch
- Required on some ATV's/UTV's to reach battery in rear seat area

No. UTV-WEK

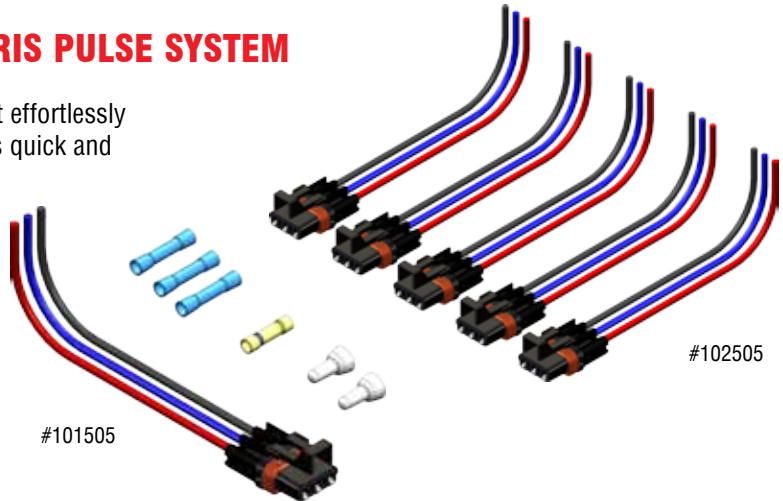
POLARIS 3-PIN WIRE HARNESS FOR POLARIS PULSE SYSTEM

The Polaris Wire 3-Pin Harness is a plug and play solution that effortlessly connects to the Polaris PULSE Underhood Bus Bar. It provides quick and easy power access for adding aftermarket accessories.

- 12" Pigtail Wire Length
- 14 Gauge high quality cross-link wire
- Provides quick, easy accessory power
- Plugs into Polaris pulse electrical system

No. 101505 Single with Electrical Connections

No. 102505 5-Pack without Electrical Connections



#101505

#102505

REPLACEMENT ELECTRONIC WINCH PARTS FOR POLARIS WINCHES

No. AP-CONT Replacement Contactor for all Polaris Winches

No. AP-CMR Replacement Clam Shell Mini-Rocker Switch for Polaris ATV's

No. AP-HARNESS Quick Connect Wire Harness for ATV's that do not have this Harness



#AP-CMR



#AP-CONT



#AP-HARNESS

www.kfiproducts.com



WINCH ACCESSORIES

REPLACEMENT STEEL CABLES



Specifications:

- Super-duty galvanized aircraft cable
- UTV cables come with eyelets on connection end
- Can be used on other brand winches
- Heavy-Duty cable loop thimble on hook end

No. ATV-CBL-2K	5/32" (D) x 49' (L)	For 2000lb winches
No. ATV-CBL-3K	3/16" (D) x 45.9' (L)	For 2500-3500lbs winches
No. UTV-CBL-4K	15/64" (D) x 38' (L)	For STANDARD 4000-5000lbs winches with a 3.00 x 4.875" bolt pattern
No. UTV-CBL-4KW	15/64" (D) x 52' (L)	For WIDE 4000-5000lbs winches with a 3.00 x 6.60" bolt pattern

SYNTHETIC WINCH CABLE

High Strength 12-Strand Dyneema® Synthetic fiber rope has a higher breaking strength than that of steel cable and it is lighter. It won't bind up or develop those sharp frays that give nasty slivers.

Specifications:

- High Strength SK75 Dyneema
- Cable Strength
 - 3/16" Cable has an Average of 5400 lbs strength cable (for 3500lbs winches or less)
 - 1/4" & 15/64" Average of 7700 lbs strength cable (for 4000-5000lbs winches)
- 38' and longer cables include a sliding 5' protective sheath to protect against rough or sharp surfaces
- No kinks, curls, rust or splinters / Safe and easy to handle / Floats in water
- Comes with woven eyelet with protective sheath for any hooking system



#SYN-EXT-B50

No. SYN19-B50	3/16" x 50' KFI Synthetic Winch Cable (Blue)
No. SYN19-S50	3/16" x 50' KFI Synthetic Winch Cable (Smoke)
No. SYN23-B38	15/64" x 38' KFI Synthetic Winch Cable (Blue)
No. SYN23-S38	15/64" x 38' KFI Synthetic Winch Cable (Smoke)
No. SYN25-B50	1/4" x 50' KFI Synthetic Cable (Blue)
No. SYN25-S50	1/4" x 50' KFI Synthetic Cable (Smoke)
No. SYN-EXT-B50	1/4" x 50' KFI Synthetic Extension Cable (Blue)



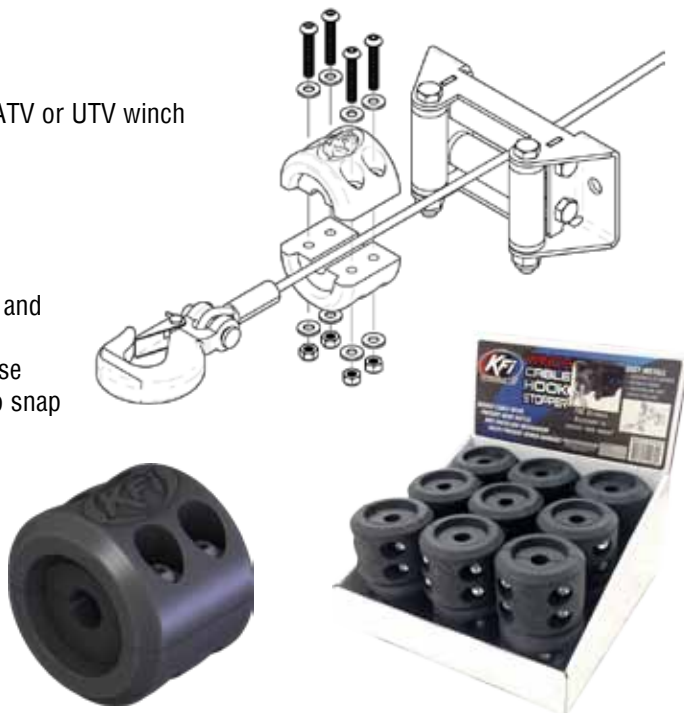
WINCH CABLE HOOK STOPPER

The Cable Hook Stopper will fit between the two outside rollers on an ATV or UTV winch fairlead. Works great with synthetic rope and/or the Hawse fairlead.

Specifications:

- Eliminates wear and tear on your rollers from the hook
- Eliminates hook clatter from going down the trail
- Protects the winch motor and gears from pulling the cable in too far and bottoming out on the rollers
- Keeps tension on the hook to eliminate the cable from becoming loose
- Can also work as an anti-kick back for the cable if your cable were to snap
- Looks great
- Once you have one, everyone else that you ride with will want one!

No. ATV-SCHS	Single (Clam Shelled)
No. BOX-SCHS	CASE-18 pack (Counter Top)



WINCH ACCESSORIES



KFI REPLACEMENT CABLE HOOK

- Removable
- Clevis included
- Black E-Dipped
- Can be used on other brand winches

No. SE-HOOK



ROLLER FAIRLEAD

- Nylon bushings
- Zinc plated rollers
- Powder coated black
- Hardware included

No. ATV-RF Standard 4.875" Bolt Pattern

No. UTV-RF WIDE 6.00" Bolt Pattern



STEALTH POM ROLLER FAIRLEAD

- First ever special POM rollers
- Ideal use for Synthetic Cables (ONLY)
- Powder coated black frame
- Hardware included

No. SE-RF Standard Stealth Black 4.875" Bolt Pattern

No. SE-WRF WIDE Stealth Black 6.00" Bolt Pattern



ALUMINUM HAWSE FAIRLEAD

- Aluminum material designed to work with synthetic cables
- Eliminates cable pinch caused by roller fairleads and synthetic cable
- Hardware included (not shown)
- Available for ATV winches and wide UTV winches
- Bolt pattern is ATV standard 4.875" and UTV standard 6.00"
- Available in Polished Aluminum and Black Anodized

No. ATV-HAW-POL ATV Standard Polished

No. UTV-HAW-POL UTV Wide Polished

No. ATV-HAW-BLK ATV Standard Black

No. UTV-HAW-BLK UTV Wide Black



ATV SNATCH BLOCK

- 3/16" material
- Doubles your winches lbs. rating
- Powder coated
- 1-1/2" diameter holes for hooking onto
- Over-all Size: 3.00"W x 5.75"L x 1.375"D
- 5,000 lbs. winch rating (turns 5,000 lbs into 10,000 lbs)

No. ATV-SB



KFI SOFT SHACKLE

- Ultra Strong 12-Strand UHMWPE Synthetic Rope
- 33,000lb - (Smoke) 44,000lb - (Blue) Breaking Strength
- 3/8" - (Smoke) 7/16" - (Blue) Diameter
- 5 1/2" Opening
- 13" Black Sheath

No. KFI-SS-38 3/8" Synthetic ATV/UTV Soft Shackle (Smoke)

No. KFI-SS-44 7/16" Synthetic ATV/UTV Soft Shackle (Blue)



TREE SAVER

- 3" x 6"
- Heavy duty
- 15000 lb. rating

No. ATV-TS



WINCH COVERS

Kit Includes:

- Adjustable drawstring
- Protects from the elements
- Works great on the Multi-Mounts
- Made from durable, washable Neoprene

No. WC-SM Fits All KFI Standard Winches and Others

No. WC-LG Fits All KFI Wide Winch and Others



www.kfiproducts.com



@kfiproducts

www.kfiproducts.com



FAIRLEADS // SPECIAL MOUNTS

STANDARD AND WIDE FAIRLEAD BRACKETS

- No. 100495 Standard Fairlead Bracket
- No. 100695 WIDE Fairlead Bracket
- No. 101660 HD WIDE Fairlead Bracket
- No. 101715 Standard WARN Fairlead Bracket



CAN-AM DEFENDER UPPER/RELOCATION WINCH MOUNT

Specifications:

- 100% MADE IN USA.
- Constructed of 3/16" steel.
- All mounting hardware included.
- Complete installation instructions included.
- Roller fairlead and winch not included.
- Powder coated black for supreme durability.



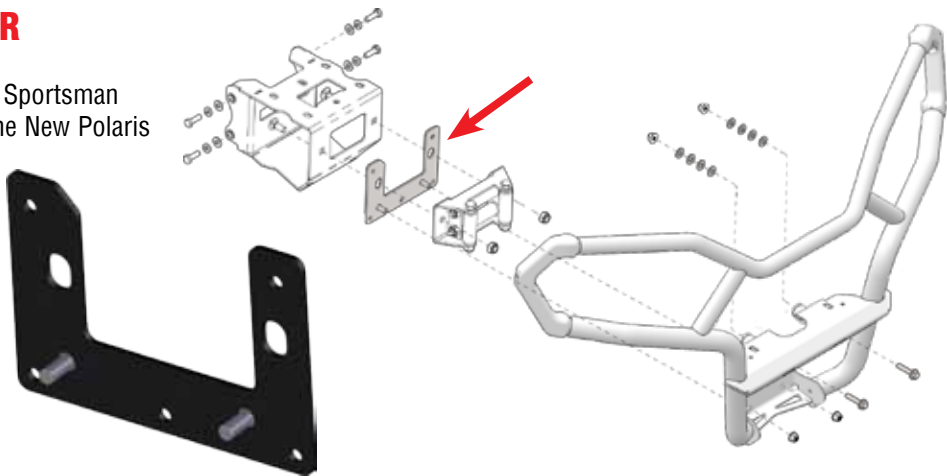
No. 102020

POLARIS ATV BUMPER ADAPTOR

This adaptor is designed to allow you to use a Sportsman Winch Mount and Plug-N-Play winches with the New Polaris 570 Front Bumper.

Compatible Polaris OEM Bumper Numbers: 2638234-458 /

No. 101895



POLARIS GEN4 AFTER MARKET BRUSHGUARD WINCH MOUNT

Specifications:

- 100% MADE IN USA.
- Constructed of 3/16" steel.
- Powder coated black for supreme durability.
- Complete installation instructions included.
- All mounting hardware included.
- Roller fairlead and winch not included.
- Fits Polaris GEN4 and ATP's with the OEM Brushguard #2873371 ONLY.

No. 100372 Polaris Gen4 After Market Brushguard Winch Mount (Standard)

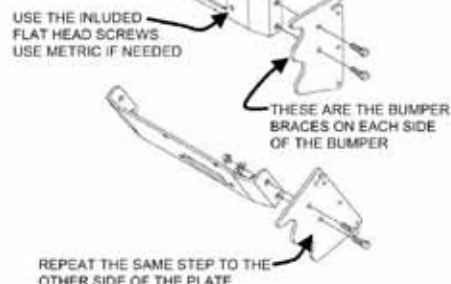
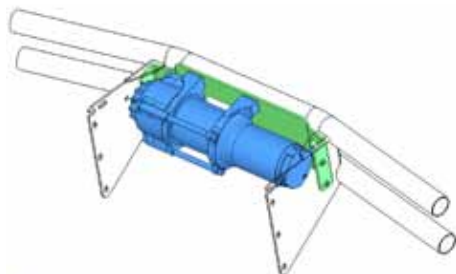
No. 100373 Polaris Gen4 After Market Brushguard Winch Mount (Warn3.0/RT/XT)



POLARIS GEN4 DOUBLE TUBE BUMPER WINCH MOUNT

This winch mount is designed to allow you to install a winch on your Polaris OEM Double Tube Bumper #5243377-067 or to the KFI Double Tube Bumper #100460.

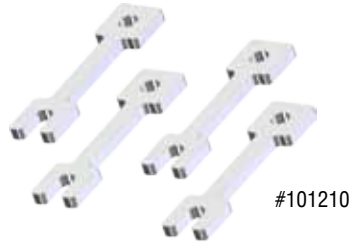
No. 100425



WINCH SPACER KIT

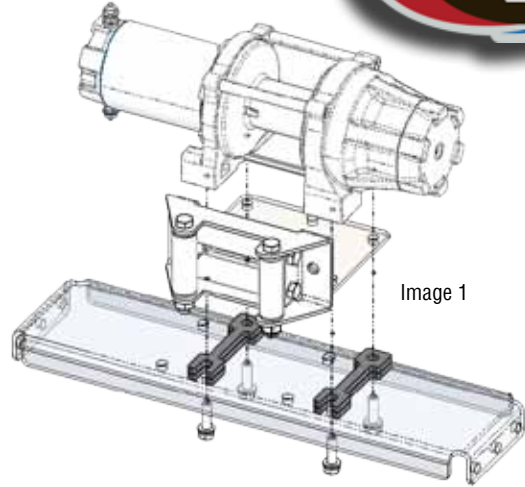
Kit Contents:

- (4) 1/4" Thick Spacer plates
- (4) 8mm x 30mm Hex Head Bolts
- (4) 8mm x 35mm Hex Head Bolts
- (4) 8mm Lock Washers
- (4) 8mm Flat Washer



Specifications:

- Allows winch spacing from 1/4" or 1/2" (1/2" Shown in Image 1)
- Required with some winch applications for winch and frame clearance
- Hole to Hole dimension on the spacers are 3.00"
- Zinc Plated Clear



No. 101210



POLARIS RZR 900 SPACER PLATE

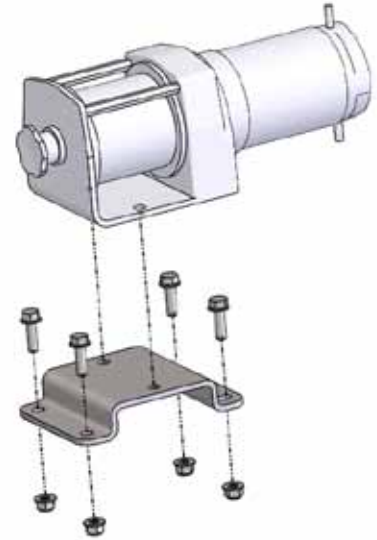
This spacer plate is conducted of 3/8" steels and Fits **BOTH** standard and wide bolt patterns (4.88" x 3") or (6.6" x 3"). This spacer plate is for the winches that have a bottom Clutch casting that is flush with the bottom mounting surface of the winch. Without this spacer the winch will not be able to mount flush to the mount because it will run into the RZR 900's frame.

No. 101065

2-HOLE MOUNTED WINCH VERTICAL CONVERTER

Specifications:

- 100% MADE IN USA
- Constructed of 3/16" steel
- Powder coated black for supreme durability
- Very easy to install
- All mounting hardware included
- Complete installation instructions included
- Satisfaction guaranteed
- Roller fairlead and winch not included.



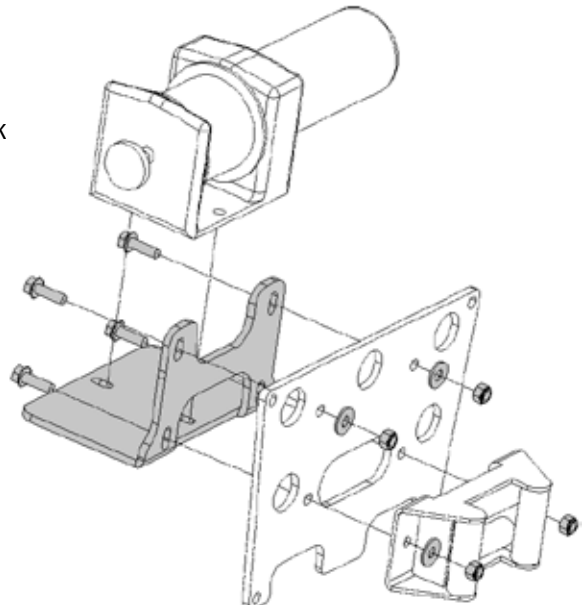
No. 100500

90° 2-HOLE MOUNTED WINCH CONVERTER

This mount will convert the 3.00" x 4.875" Standard 4-bolt Mounting Pattern that is integrated in some OEM frames and winch mounts and allow it to work with most 2-hole mounted winches with a 3.10" Bolt Pattern.

- Complete installation instructions included.
- All mounting hardware included.

No. 100480





MULTI-MOUNTS / QUICK CONNECTS



FIXED MULTI-MOUNTS

Specifications:

- 100% MADE IN USA.
- Constructed of 3/16" steel.
- Unlike the competition, these are shot blasted before they are powder coated for the best possible finish prep.
- Powder coated black for supreme durability.
- Easy to install.
- Requires fairlead bracket (Typically included with winch)



#100615



#100620

No. 100615 1-1/4" Fixed Receiver Winch Mount

No. 100620 2" Fixed Receiver Winch Mount



#101110



#101115



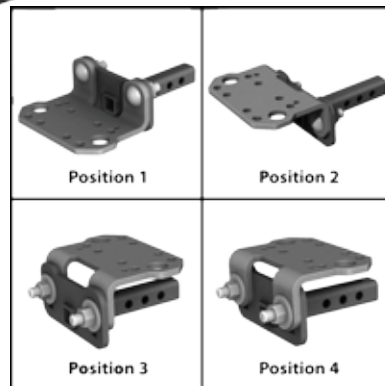
Image 1

ADJUSTABLE MULTI-MOUNT OPTIONS

Our mounts #101110 & #101115 work with standard 3.00 x 4.875" bolt up pattern winches. (Shown in Image 1)

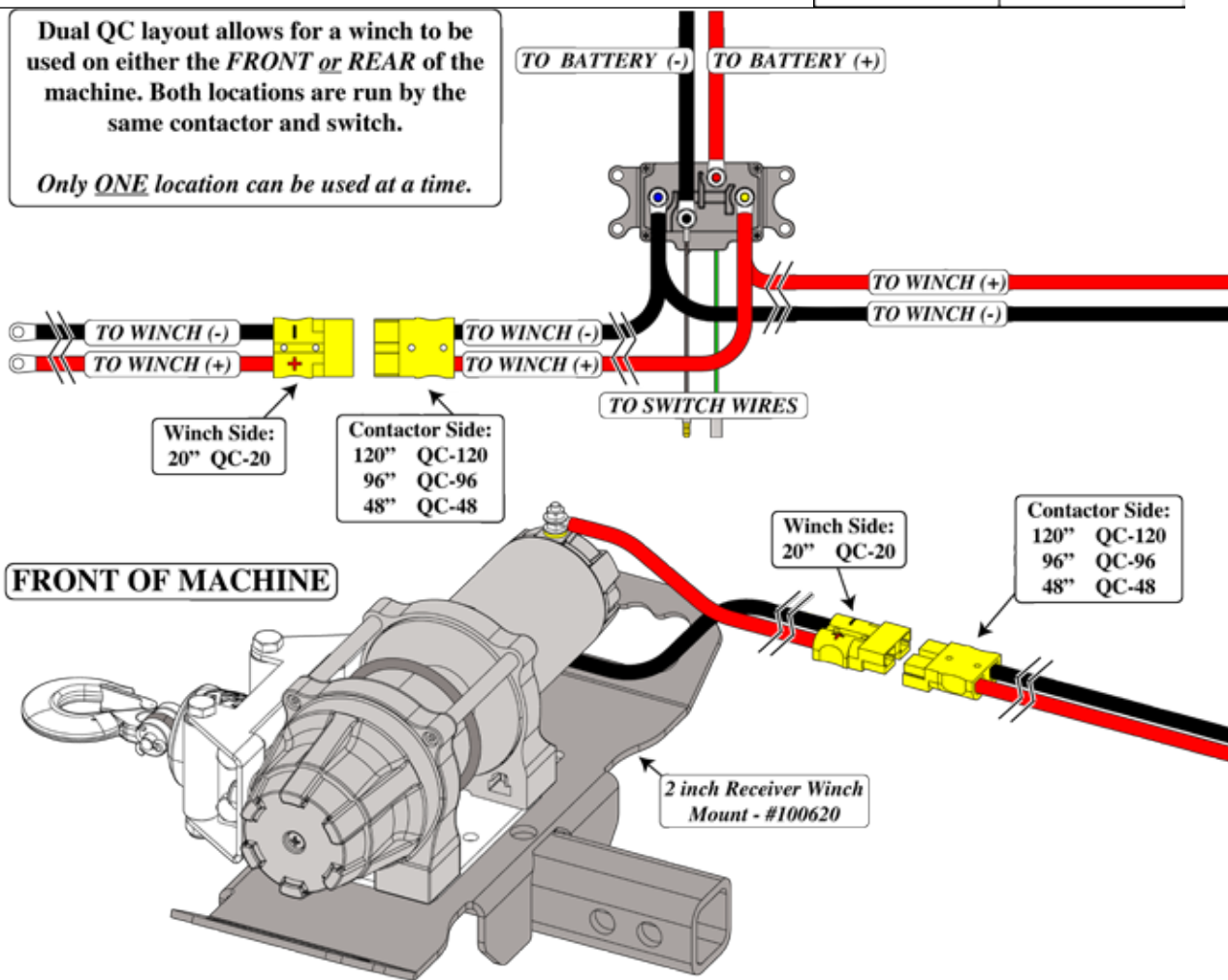
No. 101110 KFI 2" Receiver Adjustable Mount

No. 101115 KFI 1-1/4" Receiver Adjustable Mount



Dual QC layout allows for a winch to be used on either the *FRONT* or *REAR* of the machine. Both locations are run by the same contactor and switch.

Only ONE location can be used at a time.





QUICK CONNECTS

Specifications:

- 6 gauge wiring
- Color coded wires
- Protective end cap
- 6mm Ring Terminal Ends

No. QC-ENDS	Quick Connect End (2-pack)
No. QC-20	20" Long Quick Connect
No. QC-48	48" Long Quick Connect
No. QC-96	96" Long Quick Connect
No. QC-120	120" Long Quick Connect



QC-xxx



QC-ENDS

UTV MULTI-MOUNT KITS

Multi-Mount Kits include the following:

- 2" Receiver Winch Mount #100620
- UTV Model Specific Front Receiver Plate
- 20" Quick Connect (for winch)
- 48" Quick Connect (for front)
- 120" Quick Connect (for rear)
- 5/8" Receiver Hitch Pin
- Requires fairlead bracket typically included with winch

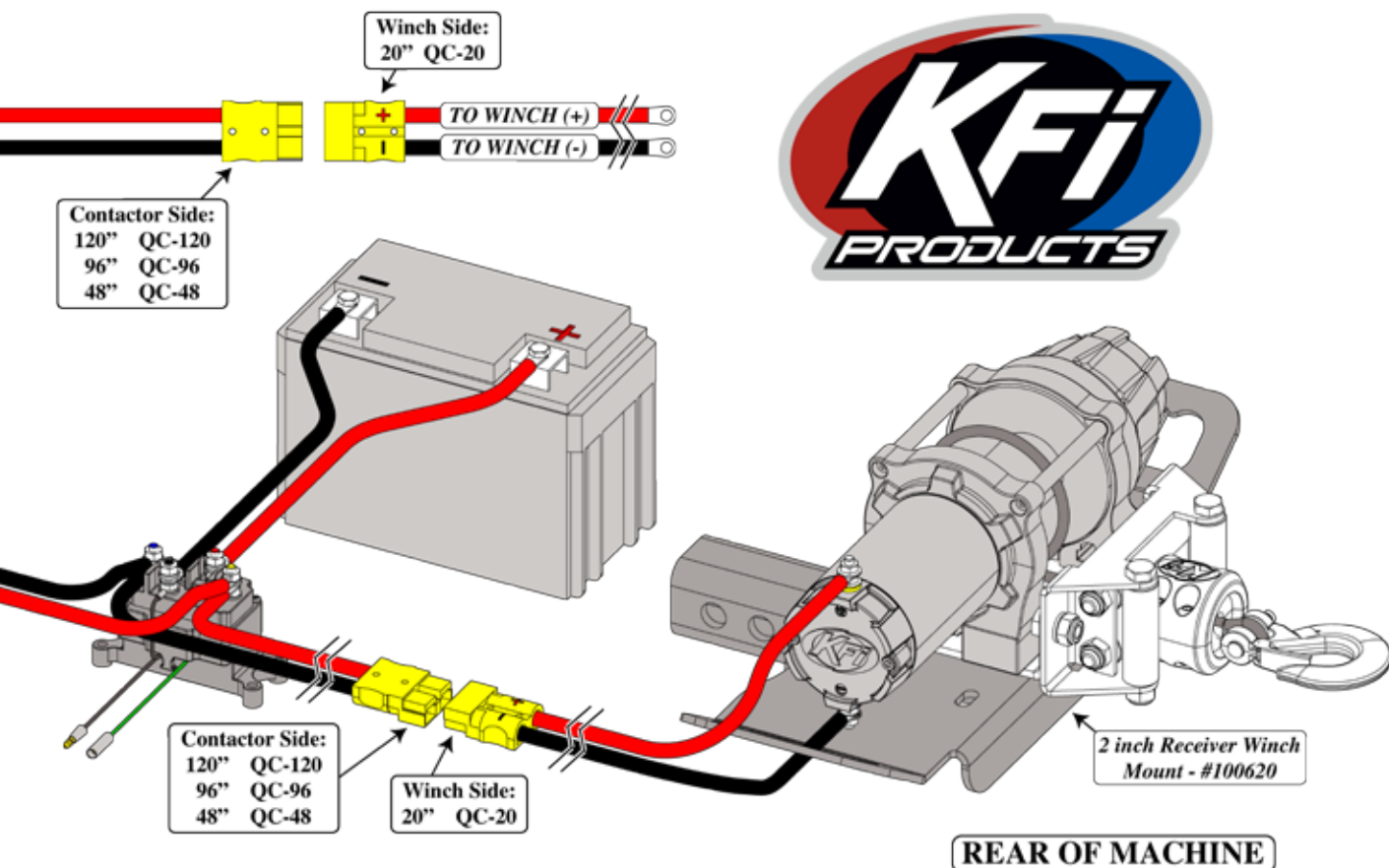
No. UTV-435	New Holland / Case IH Multi-Mount Winch Kit
No. UTV-675	Polaris Ranger Multi-Mount Winch Kit
No. UTV-720	John Deere Gator Multi-Mount Winch Kit
No. UTV-875	Polaris Ranger Multi-Mount Winch Kit
No. UTV-1080	Polaris Ranger / Gravelly Multi-Mount Winch Kit



#UTV-675



DUAL OPTION QUICK CONNECT WIRING LAYOUT



www.kfiproducts.com



HITCHES // RECEIVERS



KFI HITCHES AND RECEIVERS

All KFI Hitches and Receivers are proudly made in the USA. Crafted from 3/16" Grade 50 steel, our hitches deliver exceptional strength. Unlike competitors, our hitches undergo metal bead blasting before powder coating, ensuring a flawless finish. With a durable black powder coating, they withstand rigorous use. Installation is a breeze, thanks to the included hardware and instructions. Trust in our satisfaction guarantee for your reliable towing solution.



2" RECEIVER SHACKLE

- Specifically designed for use in ATV or UTV vehicle recovery
- Convert any 2" Receiver into a tow or Anchor Point
- Heavy duty steel receiver
- MAX LOAD 10,000lbs
- Vertical or horizontal orientation
- Includes receiver pin

No. UTV-RSH 2" Receiver Shackle



HONDA RINCON BALL HITCH

Specifications:

- 100% MADE IN USA.
- Constructed of 3/16" steel.
- Takes all 3/4" shank balls.
- Required OEM Spec.

No. 100490

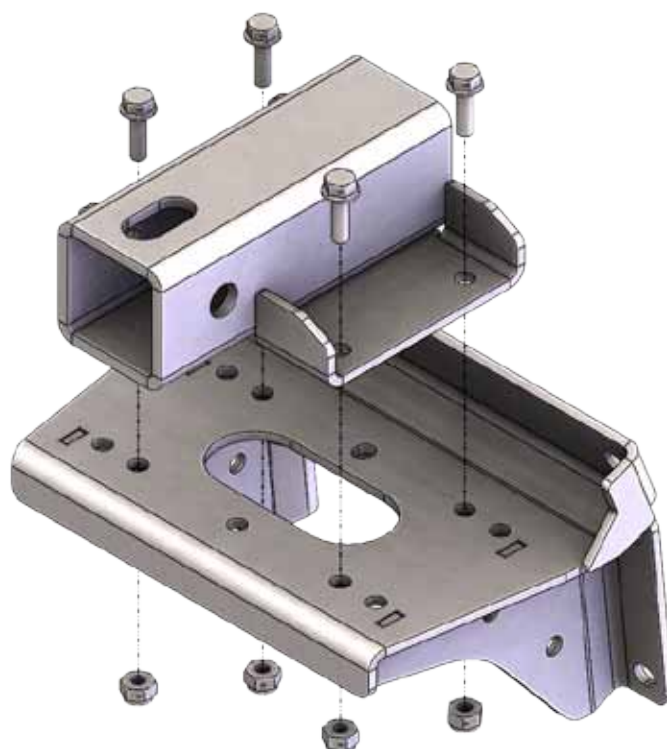
UNIVERSAL RECEIVER HITCH

Receiver will fit any standard four hole winch mount without fairlead flange (3" x 4.875" Bolt-Up pattern).

Specifications:

- 100% MADE IN USA.
- Constructed of 3/16" steel.
- Powder coated black for supreme durability.
- Includes upper hook attach hole.
- Complete installation instructions included.
- No mounting hardware required.

No. 101240 Universal Receiver Hitch



GET HOOKED

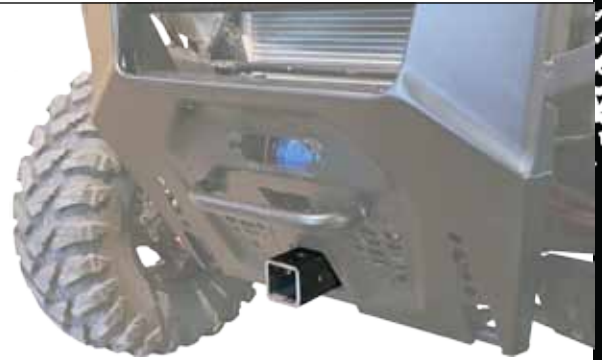


#101780



FRONT UPPER AND LOWER UTV RECEIVERS

Upgrade your UTV's towing capabilities with our Front Upper and Lower UTV Receivers. Specifically designed to fit UTV's, these receivers provide a secure and convenient attachment point for towing and hauling. The front upper receiver allows for easy installation of accessories, while the lower receiver adds versatility for various needs. Crafted with durability in mind, these receivers are built to withstand the demands of off-road adventures. Experience enhanced functionality and possibilities of your UTV with our Front Upper and Lower UTV Receivers.



#101915



#101995

SPORTS SXS REAR RECEIVERS

Enhance the rear-end versatility of your sports side by side or UTV with our Rear Receivers. Engineered to provide a sturdy and reliable towing connection, these receivers enable you to tow trailers, attach accessories, and carry additional gear. With a robust design and durable construction, our Rear Receivers are built to withstand the rigors of off-road terrain. Experience the convenience and flexibility of towing capabilities tailored specifically for sports side by sides and UTV's with our high-quality Rear Receivers.

REAR ATV RECEIVERS

Take your ATV's hauling capabilities to the next level with our Rear ATV Receivers. Designed specifically for ATVs, these receivers provide a secure and reliable attachment point for towing and carrying. With their rugged construction and precise fit, our Rear ATV Receivers offer the strength and durability needed to handle demanding tasks. Whether you're towing a trailer or using accessories, our Rear ATV Receivers provide the versatility you need for a wide range of outdoor adventures. Upgrade your ATV with our Rear Receivers and unlock new possibilities for hauling and towing.



#101490

www.kfiproducts.com



DOUBLE TUBE BUMPERS



#101935



KFI REAR DOUBLE TUBE BUMPERS

- Made in the USA
- Same tube size as OEM Front Bumper
- Constructed of high strength steel
- Bumpers are shot blasted before they are powder coated for the best possible finish prep.
- Powder coated Black Wrinkle (textured) for supreme durability
- Bumper tilts with the bed

- No. 101245 Polaris General '20-older
- No. 101360 2016' Polaris Ranger 570
- No. 101425 Polaris Ranger Fullsize
- No. 101435 Polaris Ranger Midsize
- No. 101565 Honda Pioneer 700
- No. 101585 Honda Pioneer 1000-5
- No. 101595 Honda Pioneer 1000-3
- No. 101610 Can-Am Defender
- No. 101625 Yamaha Rhino
- No. 101640 Kawasaki Teryx 4
- No. 101650 Yamaha Wolverine
- No. 101665 John Deere Full-Size
- No. 101675 AC-Textron Prowler / CAT CUV / Cushman Hauler / Tracker 800
- No. 101710 Kawasaki Midsize
- No. 101800 Kawasaki Fullsize
- No. 101825 Polaris Ranger 1000
- No. 101835 Polaris Ranger Fullsize
- No. 101850 Polaris Ranger 570
- No. 101935 Honda Pioneer 520
- No. 101960 Can-Am Commander
- No. 102000 Ranger SP 570
- No. 102075 Ranger 1000
- No. 102085 Polaris General '21-up
- No. 102095 Polaris Xpedition



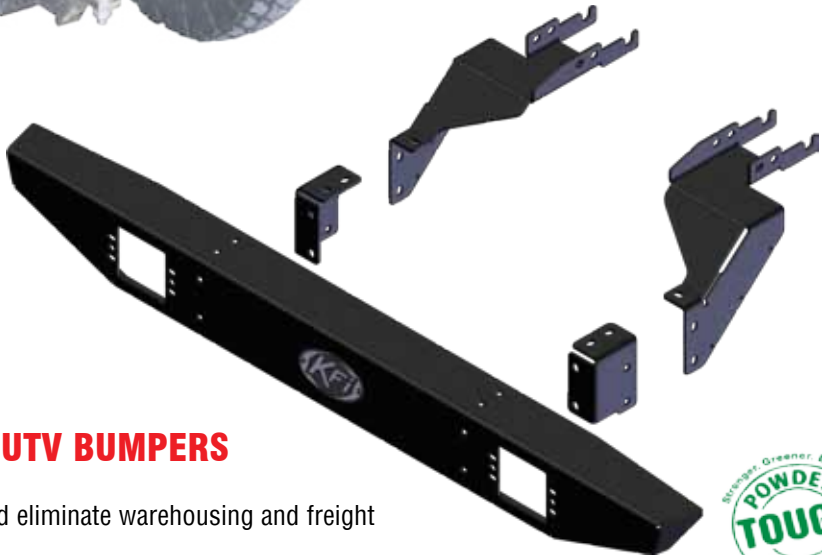
#101850

GET HOOKED

FORMED BUMPERS



#101615

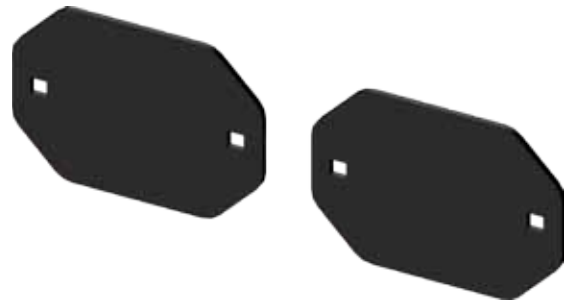


NEW KFI REAR FORMED UTV BUMPERS

- Bolt together design to help reduce shipping costs and eliminate warehousing and freight storage issues
- 3" Cubed Flush Mounted LED Lights **NOT** included
- Includes cut-outs to fit most standard 3" x 3" Cubed Flush Mounted LED Lights
- Shot Blasted and powder coated Black Texture
- Includes black visible hardware
- Optional light cutout Cover Kit sold separately #101445
- Made in the USA



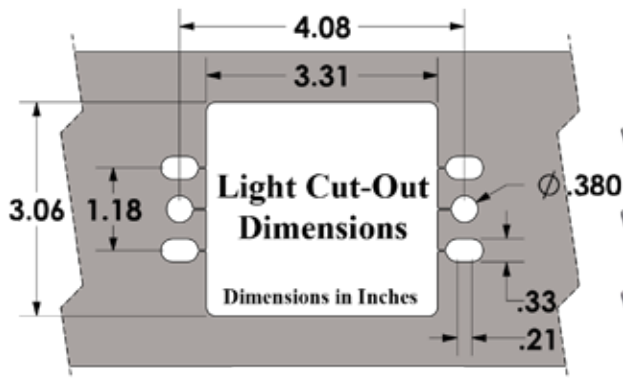
No. 101395	Kawasaki Teryx 4
No. 101430	Polaris Ranger Fullsize
No. 101440	Polaris Ranger Midsize
No. 101530	Polaris Ranger 1000
No. 101540	Polaris Ranger Fullsize
No. 101570	Honda Pioneer 700
No. 101590	Honda Pioneer 1000-5
No. 101600	Honda Pioneer 1000-3
No. 101615	Can-Am Defender
No. 101880	Polaris General '20-older
No. 102080	Polaris General '21-up
No. 102105	Polaris Xpedition
No. 102135	Honda Pioneer 520



LIGHT CUT-OUT COVER KIT

- 10ga Matte Black Powder Coated
- Sold as a Pair
- Includes Black Mounting Hardware

No. **101445**



www.kfiproducts.com



@kfiproducts

www.kfiproducts.com



WINCH BUMPERS



MODULAR GRILL-WINCH MOUNT-BUMPER

This modular bumper is designed to work with the Arctic-Cat Wildcat as well as the Yamaha YXZ 1000. Below are the Modular components that can be purchased.

Arctic-Cat Wildcat 1000 (2 and 4 seaters)	
No. 101000	Modular Grill (required for all other components)
No. 101010	Modular Bumper (#101000 required)
No. 101015	Modular Winch Mount (#101000 required and also works with #101010)
No. 101030	Winch Mount Combo Kit (Kit includes #101000 and #101015)
YAMAHA YXZ 1000	
No. 101010	Modular Bumper (#101320 required)
No. 101320	Yamaha YXZ Winch Mount



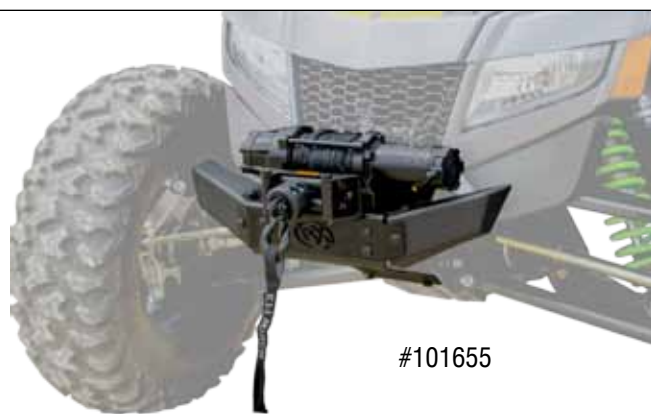
WINCH MOUNT BUMPERS

Specifications:

- 100% MADE IN USA.
- Constructed of 10ga Grade 50 Steel
- Metal Bead Blasted before Powder Coated for best possible finish prep
- Powder Coated Black for Supreme Durability

Please Note: Roller Fairlead and Winch are **NOT** included

- No. 101545 Polaris RZR RS1 Winch Mount/Bumper
- No. 101655 Wildcat XX & XTR1000 Winch Bumper



Application	YEAR	Winch Bumper
Arctic-Cat / Textron UTV's		
Wildcat XX	'11-21	101655
POLARIS-RZR		
RS1 RZR	'18-22	101545
TRACKER "UTV"		
XTR1000	'20-21	101655

GET HOOKED

KFI PRO-SERIES PLOW SYSTEM



KFI Pro-Series ATV Plow System

The KFI ATV Pro-Series Plow System is a comprehensive package designed to incorporate the best features for optimal performance and durability. It is specifically engineered as a Mid-Mount System, ensuring that the forces generated during plowing are transferred to your ATV's frame where they should be. This design choice enhances stability and strength.

To ensure long-lasting quality, all KFI Plow components undergo a Shot Blasting process, followed by a Powder Coating treatment. This combination results in a tough and resilient finish that can withstand the rigours of plowing.

In case you don't find an ATV Mount system available for your specific ATV model in the application chart, don't worry. We offer our KFI Universal Mount #105745 which works in conjunction with our standard ATV tube system #105000. We also offer a Hybrid Kit (mount and tubes) #105590 that is compatible with approximately 90% of ATV models (old and new) featuring round or square tube frames. To learn more about these two alternate solutions please see page 35 for more information.

For any further information or help in determining the compatibility of your ATV, you can contact KFI directly by phone or visit our website, where you may find a template that can assist you in checking the compatibility of your machine.



KFI Pro-Series UTV Plow System

The KFI UTV Pro-Series system is meticulously designed to encompass all the exceptional features of our ATV system while incorporating additional reinforcement to withstand the forces exerted by larger UTV's.

Engineered as a Front-Mount System, the KFI UTV Plow system effectively transfers the plowing forces to the front, lower frame of your UTV, ensuring optimal performance and stability. Attaching the system is a breeze, requiring just two standard 5/8" hitch pins, allowing you to get to work quickly.

With our Front Mount System, you can experience an impressive lift height of 30+ inches providing you with ample clearance for efficient plowing operations. We at KFI prioritize durability, which is why all our plow components undergo a shot blasting process and receive a powder coating treatment, resulting in a robust and resilient finish that stands up to the toughest conditions.

Our Heavy-Duty 11ga 66" and 72" blades, along with our wide UTV Blades in the Pro-Poly series, come equipped with a 7" top rubber snow flap, Heavy-Duty Skid Pads, a two-sided 3/16" grade 50 wear bar, and added gusseting to enhance strength. These features enable them to handle the wider width and increased force exerted by your UTV.

For any further information or help in determining the compatibility of your UTV, you can contact KFI directly by phone or visit our website, where you may find a template that can assist you in checking the compatibility of your machine.



KFI Plow Base/Push Tube Systems

The KFI Plow Base/Push Tube Systems are the reliable and rugged connection between your KFI blade and vehicle-specific plow mount. Designed and manufactured in the USA with heavy-duty 1-1/2" steel tubing, these systems are built to withstand the toughest plowing tasks.

Compatible with all KFI plows, these systems offer versatility and seamless integration. Each system boasts several notable features, including an easy-pull pin blade adjustment, a multi-position plow lift bracket, three blade angle positions allowing for up to 25° rotation, and six 5° blade pitch adjustments

Unlike other plow competitors, our tubes undergo a meticulous metal bead blasting process before being powder coated, resulting in an exceptional finish that ensures supreme durability. KFI stands behind the quality of its products with a Limited 2-Year Warranty.

For more information about UTV & ATV plow blades see Pages 24-25.

For UTV plow systems please see Pages 26-31.

For ATV plow systems please see Page 32-37.

www.kfiproducts.com





ATV & UTV KFI PLOW BLADES



KFI Pro-Series Straight Blades

Specifications:

- Available in ATV 48", 54" and 60" and UTV 66" and 72"
- 11GA Steel Blade
- 3/16" Grade 50 steel gusseting
- Shot Blasted before powder coating
- Powder Coated TOUGH - Metallic Silver
- 16" Blade Height (without snow flap)
- 2-Sided 3/16" Grade 50 Steel Wear Bar attached with Grade 8 Bolts
- Fully Adjustable HEAVY-DUTY Skid Pads
- Snow Flap NOT included on 54" or 60" ATV Blades (sold separately)
- Snow Flap included on 66" and 72" UTV Blade
- 66" and 72" UTV Blade includes added gusseting and support

- No. 105048 48" ATV/UTV Pro-Series Straight Blade
- No. 105054 54" ATV/UTV Pro-Series Straight Blade
- No. 105060 60" ATV/UTV Pro-Series Straight Blade
- No. 105066 66" UTV Pro-Series Straight Blade
- No. 105072 72" UTV Pro-Series Straight Blade



KFI Pro-Poly UTV/ATV Straight Blades

Specifications:

- Grade 50 Steel Rib and Structure construction
- Shot Blasted and powder Coated Black
- Black Poly face
- Includes Standard Pro-Poly Plow Markers
- 60", 66" and 72" options
- Includes snow flap
- Dual Curvature face for supreme Snow moving
- 21" vertical blade face height with an approximate 28.5" height with snow flap.
- Works with current 105635 UTV Tube System
- Heavy Duty 1/2" thick Adjustable Skids
- More information to follow

- No. 105860 60" ATV/UTV Pro-Poly Series Plow Blade
- No. 105866 66" UTV Pro-Poly Series Plow Blade
- No. 105872 72" UTV Pro-Poly Series Plow Blade



KFI ATV Flex Plow Blade

Specifications:

- Lightweight Blade fully assembled at 25lbs.
- 50" width Flexible Black Poly Vacuum formed face
- 3/16" and 10 gauge Grade 50 Steel Rib and Frame construction
- Shot Blasted and Powder Coated Black
- 2-Sided 3/16" Grade 50 Steel wear bar
- 17" Vertical blade face height
- Works with current KFI No.105000 or 105590 ATV Tube System
- 1/4" thick Adjustable Skids

- No. 105950 50" ATV Lightweight Flex Blade



GET HACKED

PLOW BLADES DIMS



STEEL PLOW BLADES

AVAILABLE SIZES:

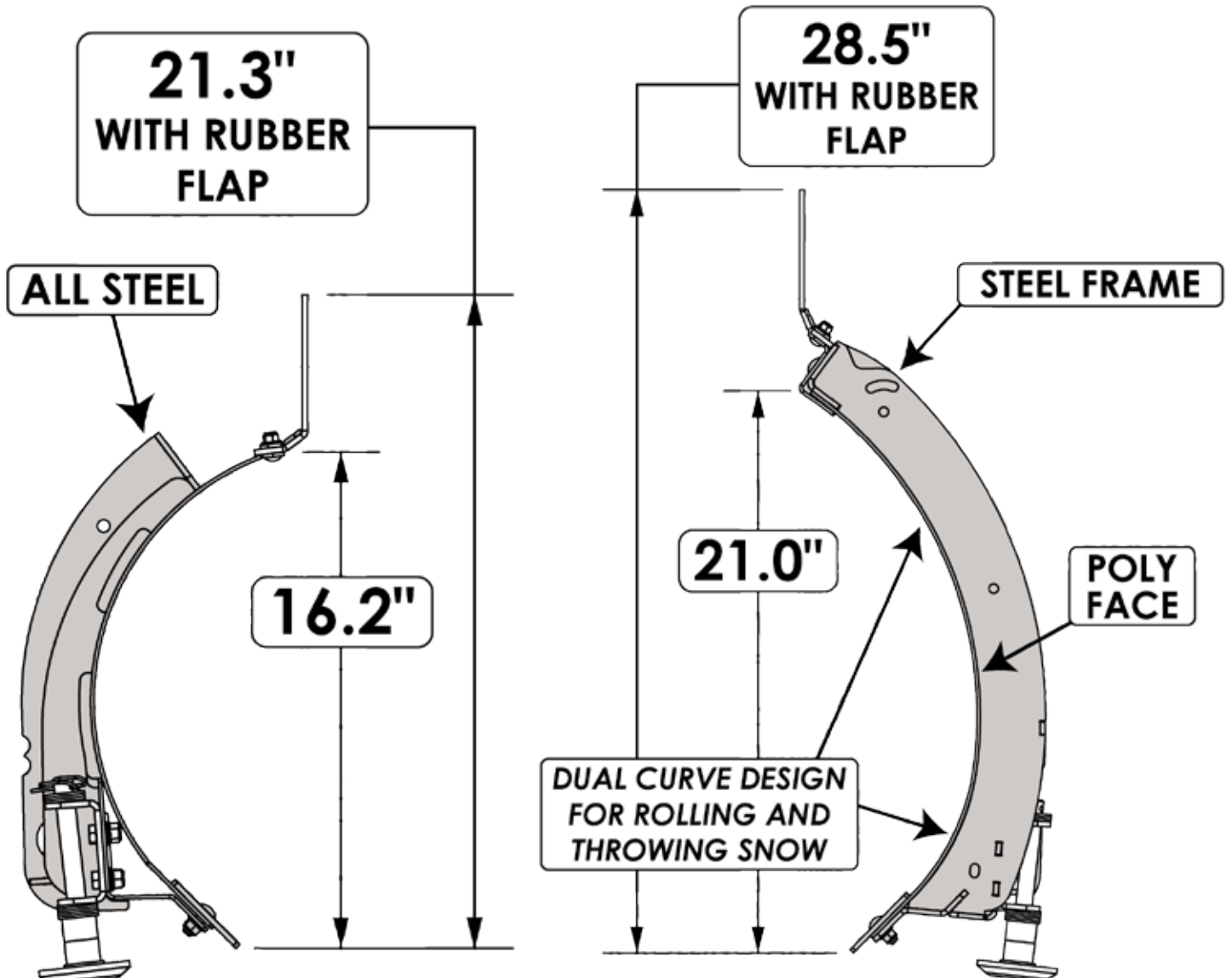
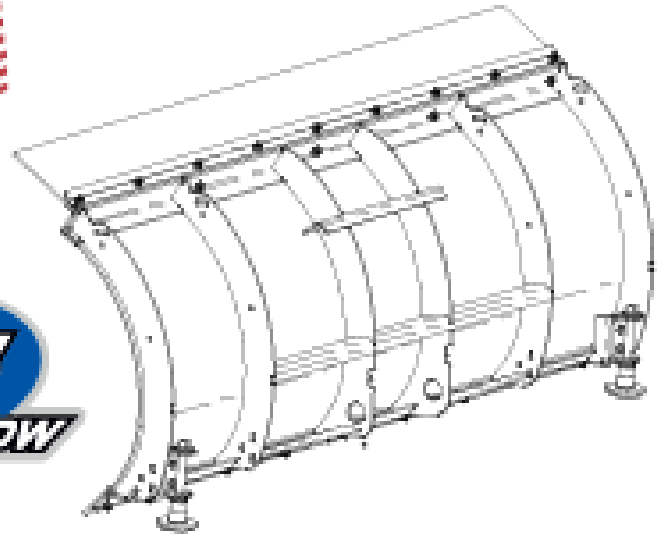
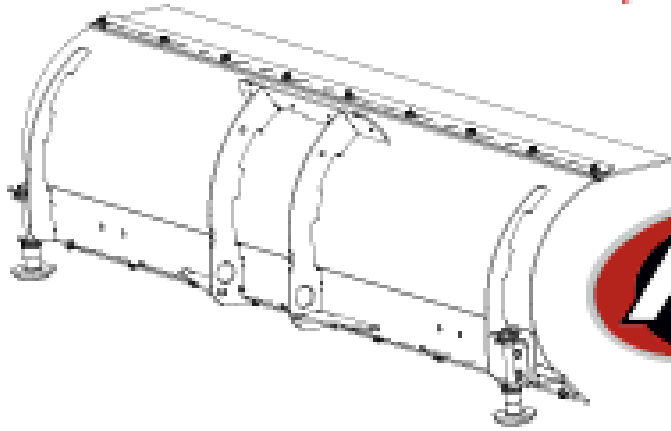
- 48" DOES NOT COME WITH FLAP
- 54" DOES NOT COME WITH FLAP
- 60" DOES NOT COME WITH FLAP
- 66" COMES WITH FLAP AND MARKERS
- 72" COMES WITH FLAP AND MARKERS



POLY PLOW BLADES

AVAILABLE SIZES:

- 60" COMES WITH FLAP AND MARKERS
- 66" COMES WITH FLAP AND MARKERS
- 72" COMES WITH FLAP AND MARKERS



www.kfiproducts.com





UTV TIRE PLOW SYSTEM



FOR MACHINES THAT HAVE TIRES.



TIRES

STEP 1

CHOOSE SIZE AND TYPE OF KFI PLOW

- See Differences Between Steel and Poly Blades at KFIproducts.com -



AVAILABLE SIZES:

60" - #10-5060

66" - #10-5066

72" - #10-5072

OR



AVAILABLE SIZES:

60" - #10-5860

66" - #10-5866

72" - #10-5872



STEP 3

CHOOSE MACHINE SPECIFIC PLOW MOUNT

- See Plow Mount Application Charts -



* EXAMPLE OF MACHINE SPECIFIC PLOW MOUNT

STEP 2

ORDER PRO 2.0 UTV PUSH TUBE - #10-6300



FOR MACHINES THAT HAVE HIGHER A-ARMS, LIFT KITS, LARGER TIRES, OR ANYTHING THAT RAISES THE MACHINE TO ABOVE THE NORMAL STOCK HEIGHT, SEE STEP 4. IF THE MACHINE IS STOCK HEIGHT, STEP 4 IS NOT REQUIRED.

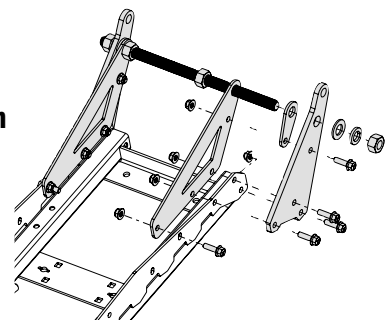


STEP 4

CHOOSE LEVELING KIT (See Page 29)

- See Selecting a Leveling Kit -

When a machine is lifted, the blade geometry for plowing is not ideal. In order to maintain the correct plow geometry, a leveling kit needs to be installed. See the leveling kits diagram for further explanation on leveling kits, along with how to choose the correct kit for your application. ***Some machines may require a plow leveling kit at stock height. See Application Chart for machines that require a leveling kit.**



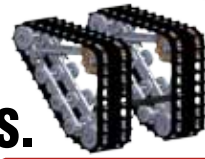
GET HACKED

UTV TRACKS PLOW SYSTEM



UTV

FOR MACHINES THAT HAVE TRACKS.



TRACKS

STEP 1

CHOOSE SIZE AND TYPE OF KFI PLOW

- See Differences Between Steel and Poly Blades at KFIproducts.com -



AVAILABLE SIZES:

60" - #10-5060

66" - #10-5066

72" - #10-5072

OR



AVAILABLE SIZES:

60" - #10-5860

66" - #10-5866

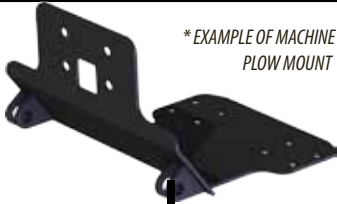
72" - #10-5872



STEP 3

CHOOSE MACHINE SPECIFIC PLOW MOUNT

- See Plow Mount Application Charts -



** EXAMPLE OF MACHINE SPECIFIC PLOW MOUNT*

STEP 2

ORDER PRO 2.0 UTV PUSH TUBE

#10-6300



STEP 4

CHOOSE UTV TRACK EXTENSION BRACKET - #106330

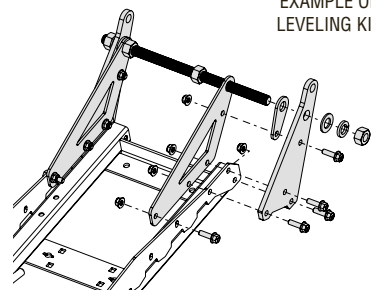


STEP 5

CHOOSE LEVELING KIT (See Page 29)

- See Selecting a Leveling Kit -

The added height from the tracks changes the intended geometry of the plow system. In order to maintain the correct plow geometry, a leveling kit needs to be installed. See the leveling kits diagram for further explanation on leveling kits, along with how to choose the correct kit for your application.



EXAMPLE OF LEVELING KIT

www.KFIproducts.com

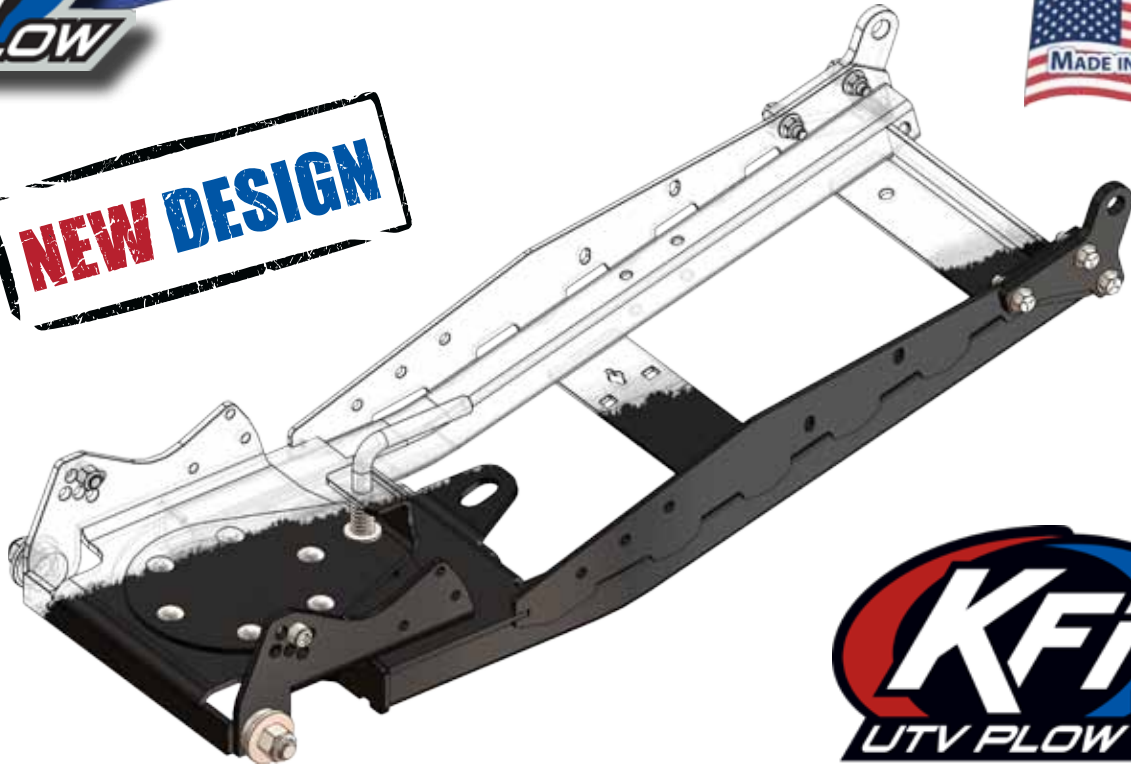




KFI PRO 2.0 UTV PUSH TUBE



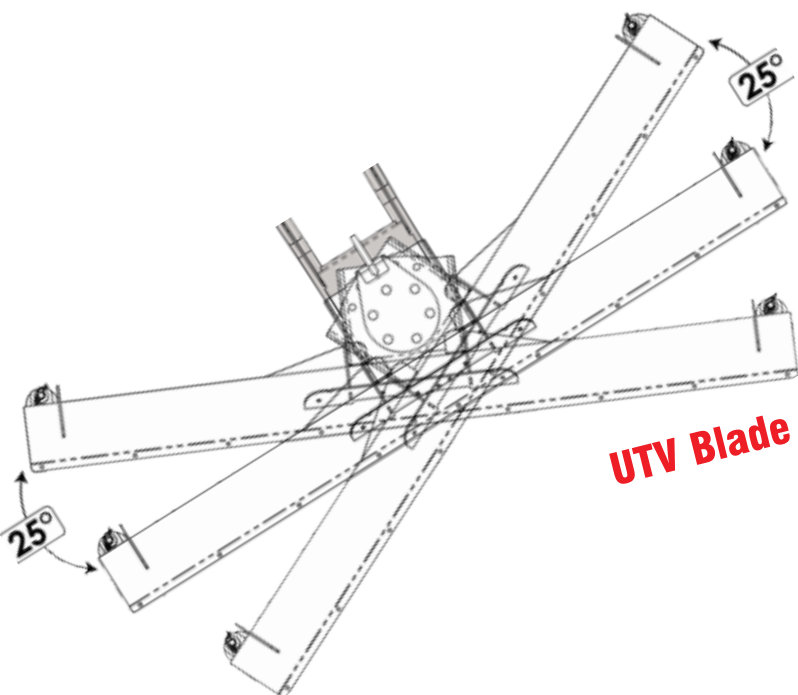
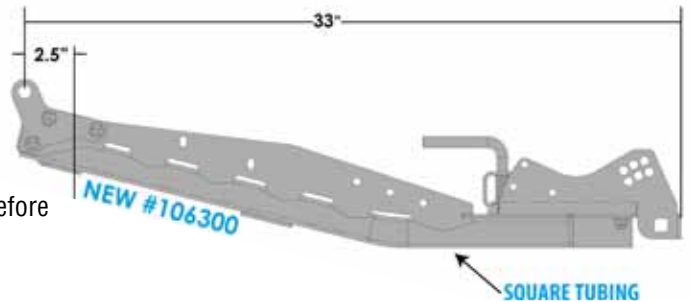
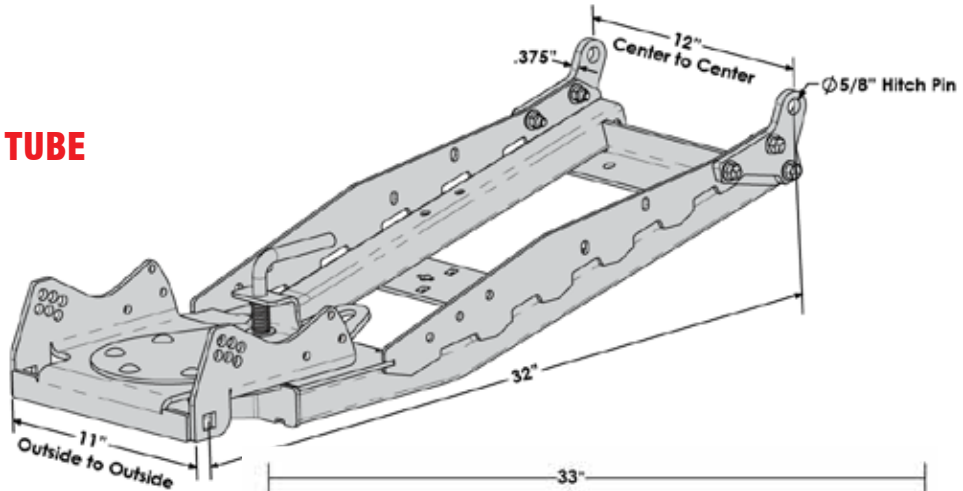
NEW DESIGN



PRO 2.0 UTV PUSH TUBE

Features:

- 100% MADE IN USA
- 2-Year KFI Warranty
- Multi-position Plow Lift Bracket
- Easier Install for All Plow Accessories
- Added 2.5" of Overall Length
- Works With All KFI Plows
- Easy-Pull Pin Blade angle adjustment
- 6 five degree blade pitch adjustments
- Front Mount Design with 30"+ of lift height
- Heavy Duty 1-1/2" 12 Gage Square Steel Tubing
- 6" Diameter POM Injection Molded Rotator Bushing
- Heavy Duty 1/4" Thick 1-1/2" Diameter Grade 50 Pivot Bushings
- 3 blade angle positions that rotate the blade up to 25 Degrees
- Unlike all other Plow competitors our tubes are metal bead blasted before they are powder coated for the best possible finish prep.
- Powder Coated Black for supreme durability



UTV Blade Path Size

Blade Size	Blade Path @25°
60"	54.4"
66"	59.8"
72"	65.3"

GET HACKED

PRO 2.0 TUBE LEVELING KITS



PRO 2.0 PLOW LEVELING KITS

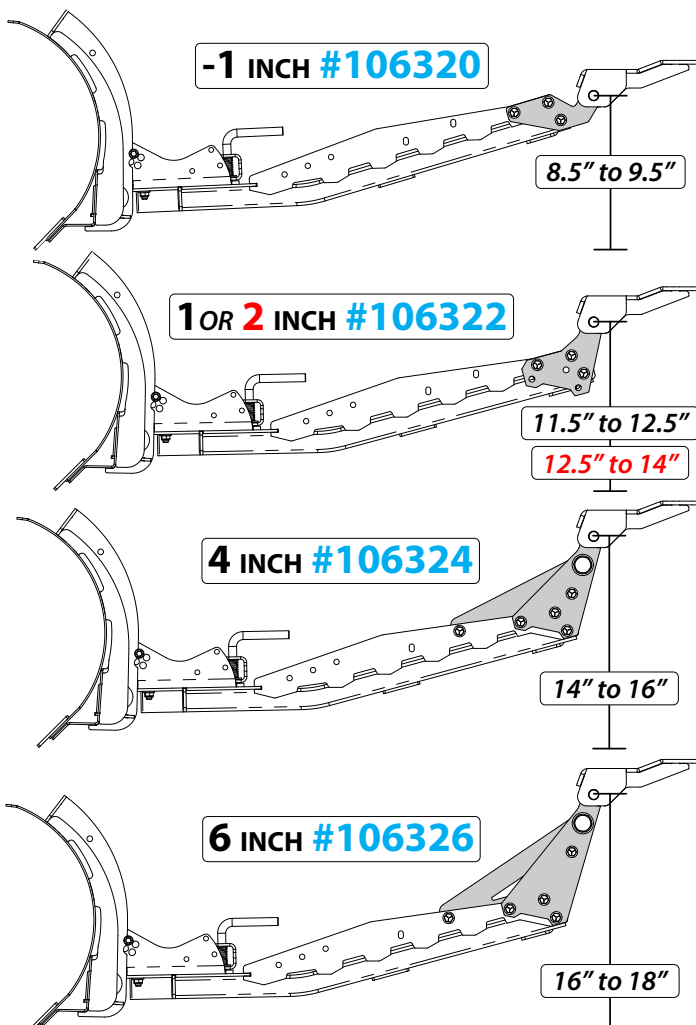
- Does the machine have tracks, larger tires, higher A-arms, lift kit, or anything that raises the height of the machine from original stock height?
- Is the machine lower than stock height or has settled over time?
- Unlevel plowing causes strain on the plow system and leads to uneven wearing of the wear bars when the blade is rotated.
- By installing the correct KFI leveling kit for your application, the proper blade angle and plowing geometry will be restored.
- Specifically designed for use with KFI UTV Tubes #106300
- **DOES NOT** work with KFI UTV Tubes #105635
- Designed to bolt onto your existing tube system.
- Constructed of Grade 50 Steel
- All Hardware included

- No. 106320 -1" SQ Push Tube Leveling Kit
- No. 106322 +2" SQ Push Tube Leveling Kit
- No. 106324 +4" SQ Push Tube Leveling Kit
- No. 106326 +6" SQ Push Tube Leveling Kit
- No. 106340 +2" SQ Push Tube Forward Kit



MEASURING PIN HEIGHT

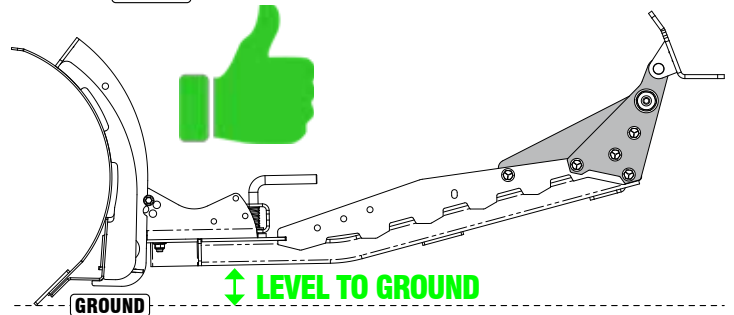
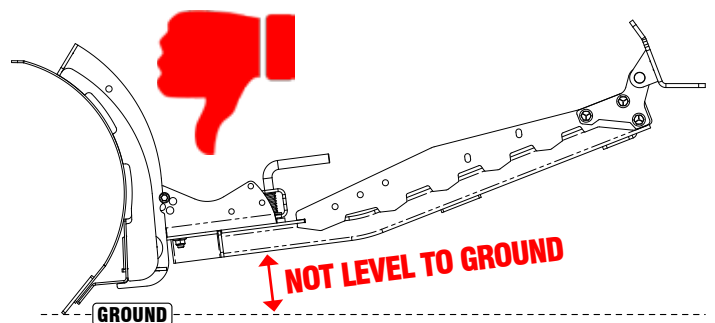
With the plow mount installed on the machine, measure from the ground to the center of the pin on the plow mount. KFI's ideal plow pin height is between 9.5" to 11.5". If the measurement falls below 9.5" or above 11.5", use the chart below to decide which leveling kit is needed:



WITHOUT A LEVELING KIT

If the push tubes are not level to the ground it will cause:

- Incorrect blade attack angle
- Uneven wearing on wear bars when blade is rotated
- Added strain to plow system



WITH A LEVELING KIT

- Guarantees ideal push tube geometry
- Correct blade attack angle
- Even wearing on wear bar when blade is rotated
- Less strain on plow system

www.kfiproducts.com





HYDRAULIC ACTUATOR

UTV PLOW HYDRAULIC ANGLE "KIT"

Tired of getting out of the machine to rotate your blade? With the KFI Hydraulic Actuator Kit you can now rotate your blade effortlessly without stepping out of your machine.

PLEASE NOTE: We do **NOT** sell a complete kit for this product. In order to assemble the "kit, you will need to purchase the 3 items to create a kit individually based on if your machine has tires or tracks. Please see the graphic at the bottom of this page for a better understanding.

Specifications:

- Specifically designed for use with KFI UTV Tubes #106300 (Not Included)
- Rotates up to full 25 degrees in both directions
- 1 Year KFI Limited Warranty

- No. **ACT203** KFI UTV Hydraulic Plow Actuator
- No. **105940** Hydraulic Actuator Wire Harness
- No. **106305** UTV Pro 2.0 (Standard) Actuator Bracket
- No. **106335** UTV Pro 2.0 (Track) Actuator Bracket
- No. **106590** UTV Pro 2.0 HD Actuator Plate Kit



TIRES

Does the machine have TIRES or TRACKS?



TRACKS

REQUIRED PART NUMBERS

- Pro 2.0 Actuator Brackets - **#106305**
- Actuator Wiring Harness - **#105940**
- Hydraulic Actuator - **#ACT203**



REQUIRED PART NUMBERS

- Pro 2.0 Track Extension **#106330**
- Actuator Brackets - **#106335**
- Actuator Wiring Harness - **#105940**
- Hydraulic Actuator - **#ACT203**



ACTUATOR REPLACEMENT PARTS

- No. **ACT-0003** KFI Actuator Rod End Linkage
- No. **ACT-DRS** KFI Actuator Dash Rocker Switch (Switch Only)
- No. **P800525-R** KFI Actuator Wire Harness Replacement Relay
- No. **P800503-R** KFI Actuator Wire Harness Replacement Cap Cover

#ACT-0003



#ACT-DRS



#P800503-R



#P800525-R



GET HACKED

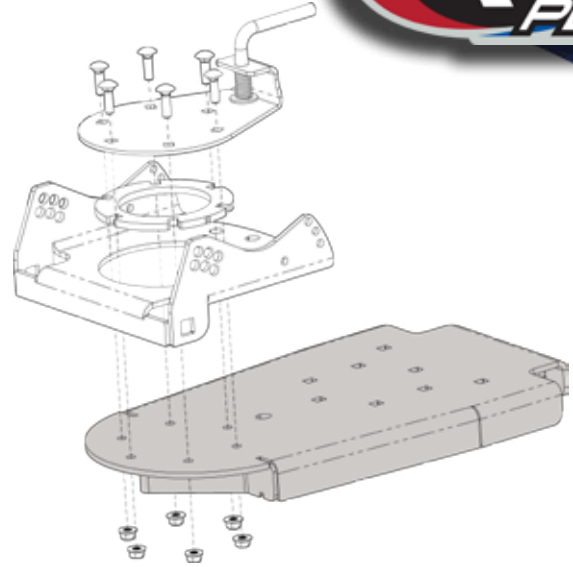
EXTENSIONS // ADAPTERS



UTV Plow Tube Track Extension



#106330



Specifications:

- Extends UTV Blade 10.33"
- Shot Blasted before Powder Coating
- Powder Coated TOUGH - Black
- Constructed of Heavy Duty 1/4" Grade 50 Steel

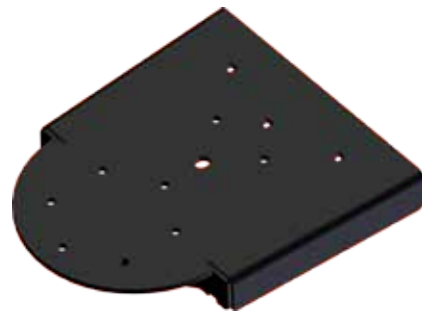
No. 106330

KFI ATV/UTV Plow Mid Extension

Specifications:

- Extends ATV/UTV Blade 5.32" Forward
- Shot Blasted before Powder Coating
- Constructed of Heavy Duty 1/4" Grade 50 Steel
- Powder Coated TOUGH - Black
- Will **NOT** work with Actuator

No. 106215



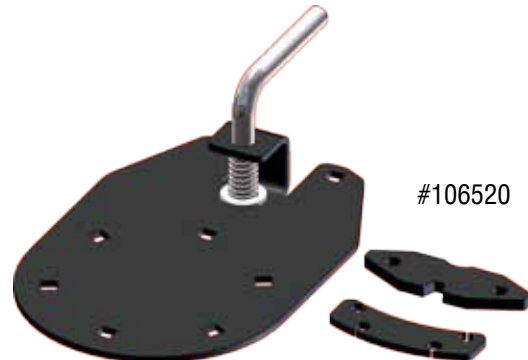
#106215

KFI UTV Heavy Duty Lift Latch

Specifications:

- Extends ATV/UTV Blade 5.32" Forward
- Shot Blasted before Powder Coating
- Constructed of Heavy Duty 1/4" Grade 50 Steel
- Powder Coated TOUGH - Black
- Will **NOT** work with Actuator

No. 106520



#106520

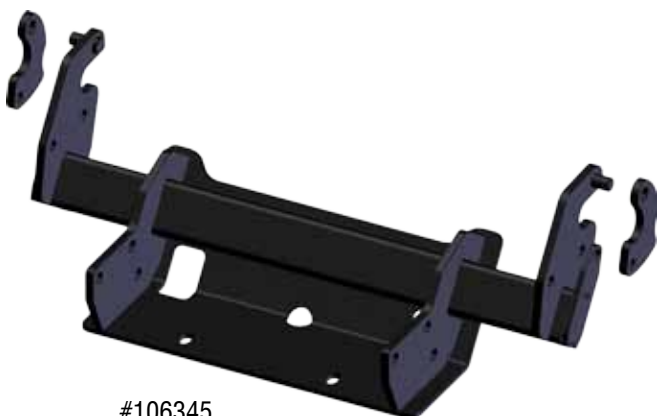
2.0 GLACIER ADAPTER

KFI Glacier Adapter is designed for Full-Size Polaris Rangers with the Glacier Bumper. Mid-Size machines (unless modified) are too low to use the Glacier Adapter properly.

If this mount fits on your full size machine but you have (or are going to install) tracks, larger tires, or a lift kit, we would recommend using the alternate mount (#106165) so that it will be compatible with our push tube leveling kits.

Improper geometry can lead to a bad blade angle and/or force being applied incorrectly. The optimal height of the Glacier mounting location should be 14" from the ground. See Image for reference.

No. 106345 2.0 Glacier Adapter - SQ Tubes



#106345



13" Optimal Height
± 1" (Minimum - 13")
(Maximum - 15")

www.kfiproducts.com



@kfiproducts

www.kfiproducts.com



ATV TIRE PLOW SYSTEM

**FOR MACHINES
THAT HAVE TIRES.**



TIRES



ATV

STEP 1

CHOOSE SIZE AND TYPE OF KFI PLOW

- See Differences Between Flex, Steel, and Poly Blades at KFIproducts.com -

AVAILABLE SIZE:
50" - #105950



AVAILABLE SIZES:
48" - #105048
54" - #105054
60" - #105060



AVAILABLE SIZE:
60" - #105860



STEP 2

**ORDER ATV PUSH
TUBE - #105000**



STEP 3

CHOOSE MACHINE SPECIFIC PLOW MOUNT
- See Plow Mount Application Charts -



* EXAMPLE OF MACHINE SPECIFIC PLOW MOUNT *

STEP 4

WINCH

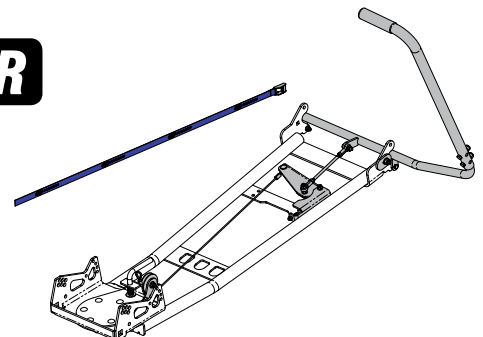
- See Winch Mount Application Charts -



OR

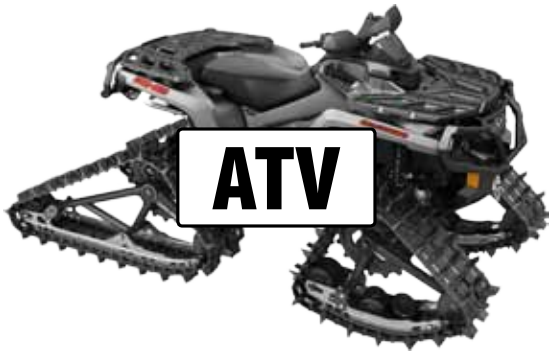
ATV MANUAL LIFT - #105015

- See Plow Mount Application Charts -



GET HOOKED

ATV TRACKS PLOW SYSTEM



ATV

FOR MACHINES THAT HAVE TRACKS.



TRACKS

STEP 1

CHOOSE SIZE AND TYPE OF KFI PLOW

- See Differences Between Flex, Steel, and Poly Blades at KFIproducts.com -

AVAILABLE SIZE:
50" - #105950



AVAILABLE SIZES:
48" - #105048
54" - #105054
60" - #105060



AVAILABLE SIZE:
60" - #105860



STEP 3

CHOOSE MACHINE SPECIFIC PLOW MOUNT

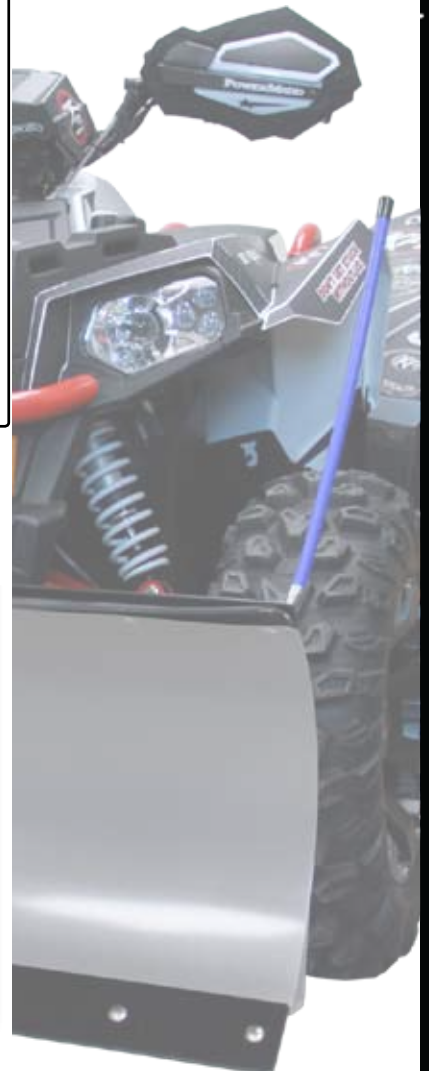
- See Plow Mount Application Charts -



* EXAMPLE OF MACHINE SPECIFIC PLOW MOUNT *

STEP 2

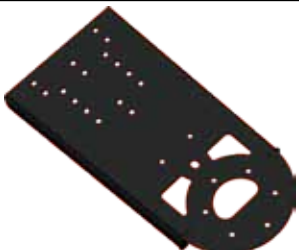
ORDER ATV PUSH TUBE - #105000



www.kfiproducts.com

STEP 4

CHOOSE ATV TRACK EXTENSION BRACKET - #105430



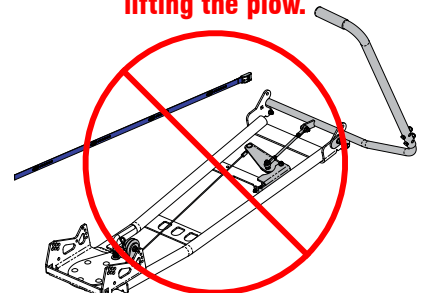
STEP 5

WINCH

- See Winch Mount Application Charts -



NOTE: Manual lift #105015 WILL NOT work with tracked machines. A winch is required for lifting the plow.

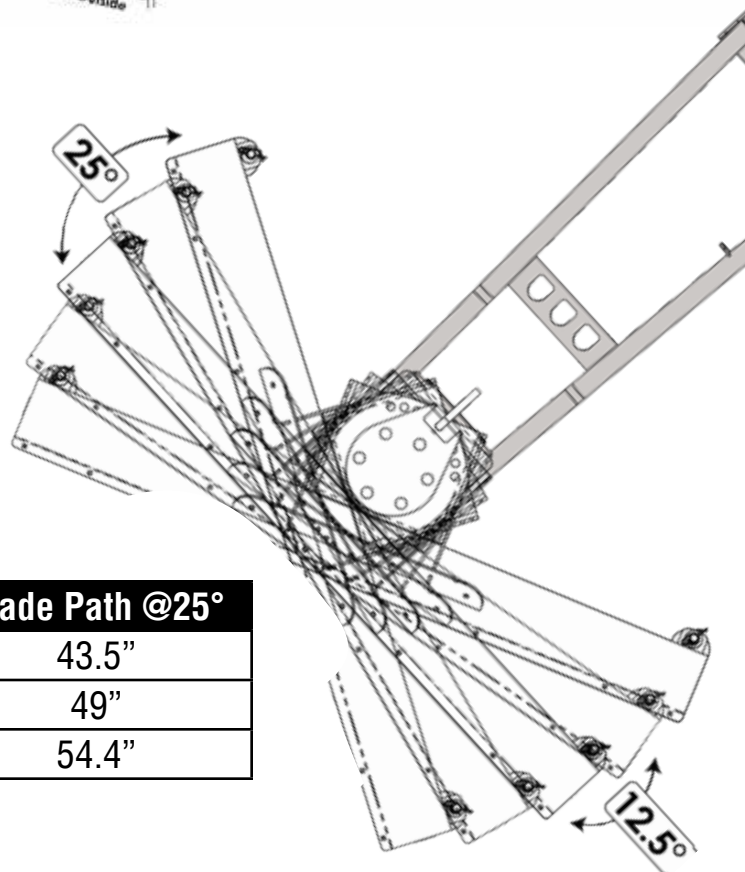
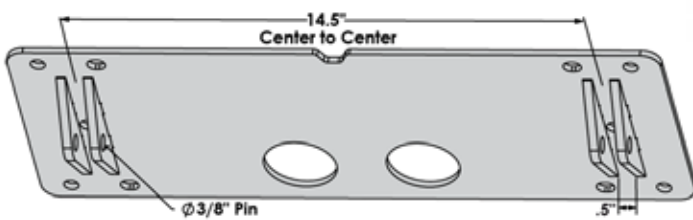
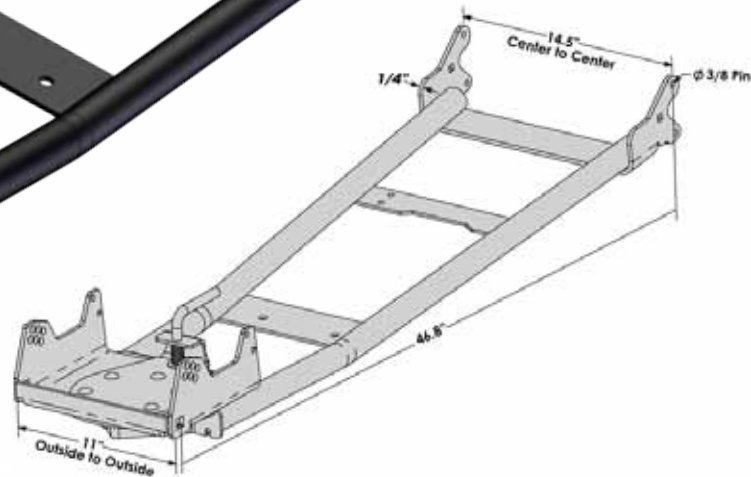




ATV PUSH TUBE

ATV MID-Mount System

- Mid-Mount Design with 40-50% more lift height than our competitors Mid-Mount Systems
- 100% MADE IN USA
- Heavy Duty 1-1/2" 11 Gage Steel Tubing
- Heavy Duty 1/4" Thick 1-1/2" Diameter Grade 50 Pivot Bushings
- 6" Diameter Zinc Plated Rotator Bushing
- Easy-Pull Pin Blade angle adjustment
- Multi-position Plow Lift Bracket
- 6 five degree blade pitch adjustments
- 5 blade angle positions that rotate the blade up to 25 Degrees
- Unlike all other Plow competitors our tubes are metal bead blasted before they are powder coated for the best possible finish prep.
- Powder Coated Black for supreme durability
- Complete installation instructions included
- All mounting hardware included
- Also Works with Cycle Country ATV Mid-Mounts
- 2-Year KFI Warranty



ATV Blade Path Size

Blade Size	Blade Path @12.5°	Blade Path @25°
48"	46.9"	43.5"
54"	52.7"	49"
60"	58.58"	54.4"

GET HOOKED



KFI Universal ATV Plow Mount

The Universal ATV plow mount replaces vehicle-specific mounts and also works with many ATV's that do not have a specific plow mount. Fitting 80% of ATV's this mount is completely adjustable designed to mount right up to the frame. This allows you to swap your entire plow system from machine to machine without buying a new mount every time.

Specifications:

- Grade 50 Steel Construction
- Shot blasted before powder-coated.
- Works with most OEM Skid Plates
- Works with the KFI Manual Lift Kit
- 3-Piece Universal Adjustable Design to fit most ATVs
- Mounts to similar location as our model specific mounts
- Use the same plow system from ATV to ATV
- Works with KFI ATV standard push tube system Part # 105000
- Works with Cycle Country Standard ATV Mid Mount Push Tubes



No. 105745 KFI Universal ATV Plow Mount

KFI Hybrid Plow Mount System

The KFI Hybrid Mount System is a unique mounting system in the fact that it mounts to the frame just behind the wheels, instead of on the front or middle of the machine. This allows the Hybrid Mount to work with 90% of the ATV's Old and New. This mount will work with round or square tubing frames that we do not have a model specific plow mount for. It is however NOT recommended to be used on any Can-Am ATV's with the single tube Frame. It is also a great item to have on hand without having to stock multiple plow mounts to cover various machines. Please check the verified application chart for your machine fit-up. This chart is ONLY a list of verified applications and there are many ATV's that have not been verified that range back into the 1980's. Please call with questions at 1-877-346-2050 during our business hours of Monday-Thursday 8:00am-5:00pm and Fridays 8:00am-1:00pm. Call or check our website for a template you can use to check your machine compatibility.

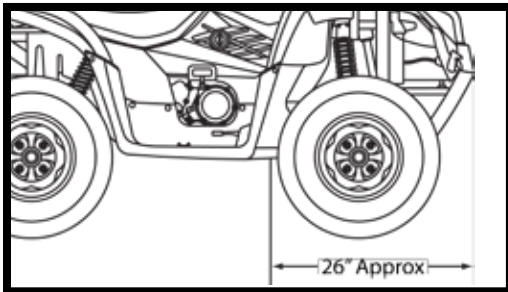
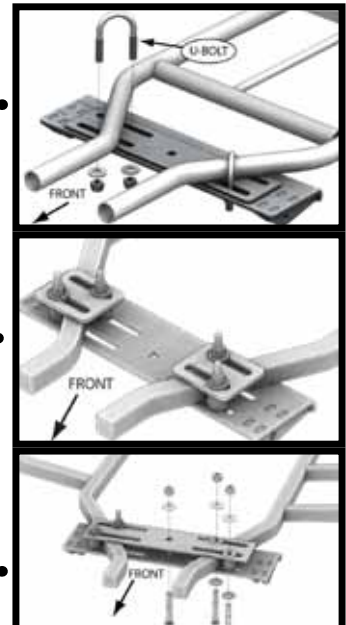
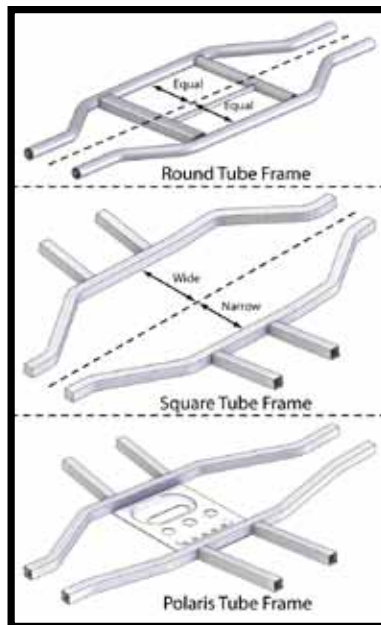


KFI Hybrid Plow Mount

Specifications:

- Made out of 3/16 Grade 50 Steel Material
- Plow tabs are 1/4" Grade 50 Steel Material
- Includes U-bolts (not shown) for round tube frames
- Will NOT work with Manual Lift kit
- Template available for compatibility check (CALL)

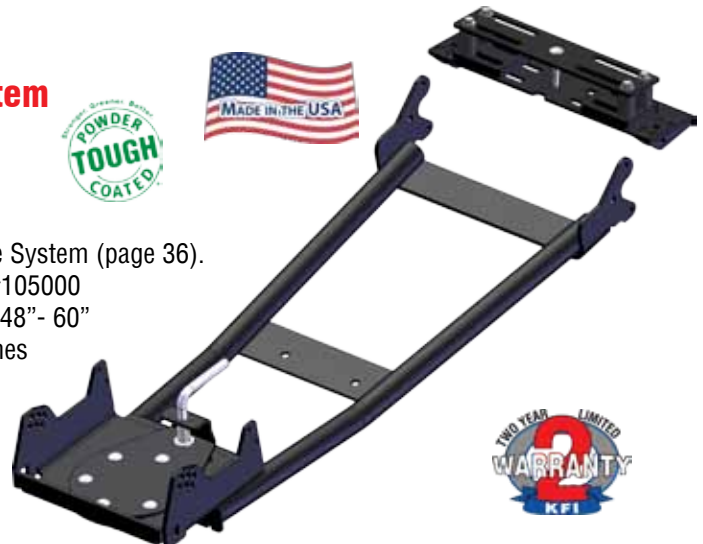
No. 105515



HYBRID ATV Base/Push Tube & Mount System

Specifications:

- Kit includes both Hybrid Plow Mount #105515 and Hybrid Push Tubes
- For details on the Hybrid Mount System please see above #105515
- Included Push Tubes have the same features as our Standard ATV Tube System (page 36).
- This tube system is 8.5" Shorter than our Standard ATV Tube System #105000
- After Purchase of this kit you will need to purchase any KFI Blade from 48"- 60"
- This kit fits most 1980-present ATV's with round or Square tubing Frames
- Will NOT work with Manual Lift Kit



No. 105590 HYBRID ATV Base/Push Tube and Mount System

www.kfiproducts.com



KFI ATV SNO-DEVIL SYSTEM



Hybrid Mount System

The KFI Hybrid Mount System is a unique mounting system in the fact that it mounts to the frame just behind the wheels, instead of on the front or middle of the machine. This allows the Hybrid Mount to work with 90% of the ATV's on the market.

KFI 48" SNO-DEVIL PLOW SYSTEM

Specifications:

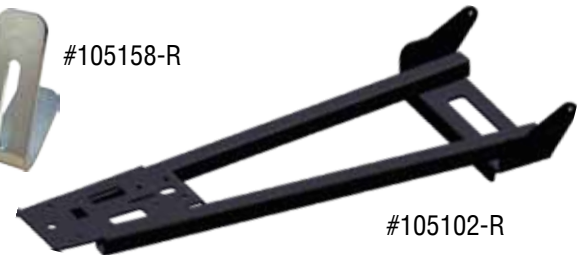
- Requires a Winch for Lifting
- (5) Position Blade, Up to 25° to either side
- (6) Blade Pitch Adjustments (in 5° increments)
- Includes Universal Hybrid Mount #105515 (page 24), 48" Blade and Push Tubes
- 12 System per Pallet (Box Size 48.5 x 17.75 x 10.375)
- UPS Shippable
- Powder Coated TOUGH
- 14GA Steel Blade and 3/16" Grade 50 steel gusseting
- 2-Sided 3/16" Grade 50 Steel Wear Bar attached with Grade 8 Bolts
- Adjustable HEAVY-DUTY Skid Pads
- 48" Bolt Together Blade with 16" of Blade Height



#106248

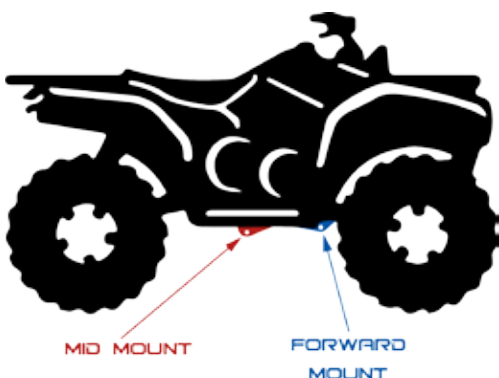


#105158-R



#105102-R

#105087-R



MID MOUNT

FORWARD MOUNT

KFI SNO-DEVIL REPLACEMENT PARTS

- No. 105102-R Sno-Devil Tube Replacement
- No. 105087-R Sno-Devil Cradle Replacement
- No. 105158-R Replacement Sno-Devil Foot (1x)
- No. 106248 48" Sno-Devil Wear Bar
- No. 106260 60" Sno-Devil Wear Bar

GET HOOKED



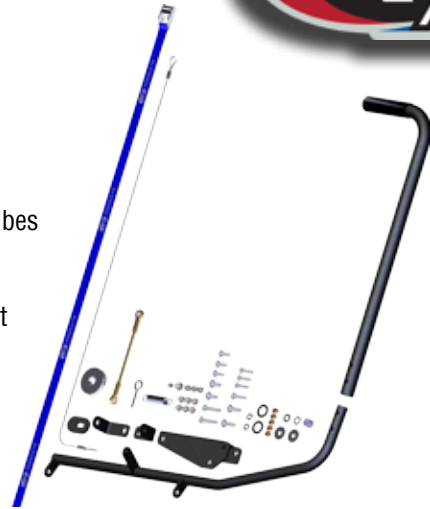
KFI ATV MANUAL LIFT KIT



Specifications:

- Use with up to 60" KFI Blades
- Will work universally on most ATV's
- Works with KFI ATV Push Tubes #105000 ONLY
- When done plowing the lift will remain with the plow tubes
- Shot Blasted before powder coating
- Powder Coated TOUGH - Black
- Gets at least 5-1/2" of lift with around 25lbs of lift effort

No. 105015 Manual Lift Kit

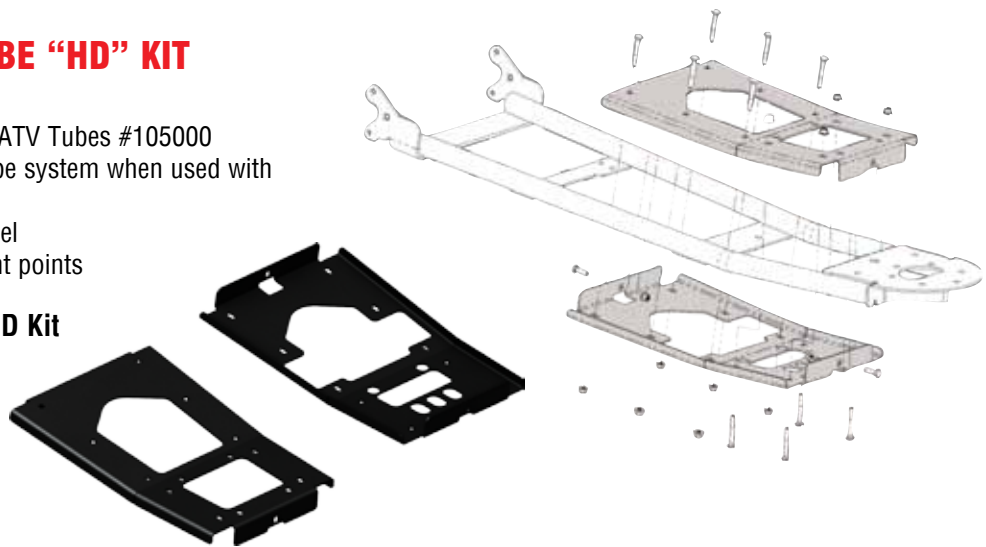


For Manual Lift Kit Replacement Parts See Page 41

ATV PUSH TUBE "HD" KIT

- Specifically designed for use with KFI ATV Tubes #105000
- Designed to help reinforce the ATV tube system when used with Tracked vehicles or Sport Side X Side
- Constructed of 10 gauge Grade 50 Steel
- Added and re-routed Winch attachment points

No. 105955 ATV Push Tube HD Kit

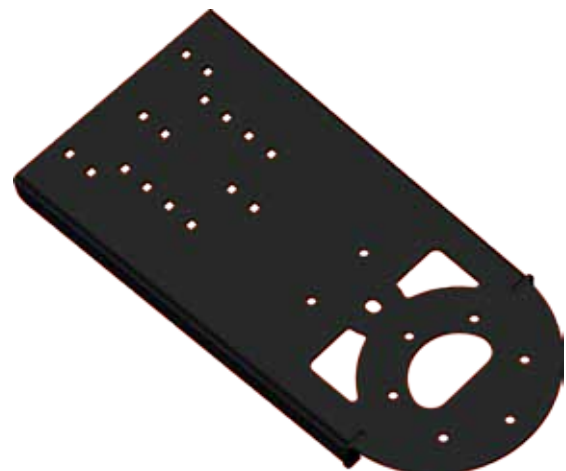
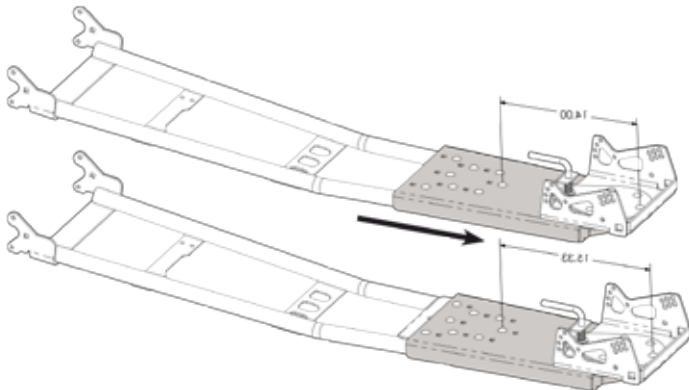


KFI ATV PLOW TRACK EXTENSION

Specifications:

- Works with KFI ATV Tubes (105000), KFI CC Conversion Push Tubes (105760), and KFI Hybrid ATV Plow Kit (105590)
- Constructed of Heavy Duty 3/16" Grade 50 Steel
- Extends ATV Blade 14.0" or 15.33" (two-position)
- Shot Blasted before powder coating

No. 105430 ATV Plow Track Extension

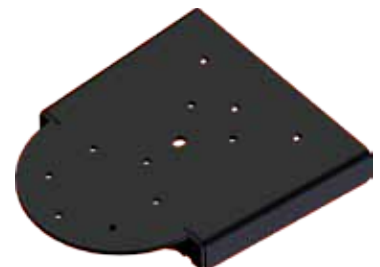


KFI ATV PLOW TRACK EXTENSION

Specifications:

- Constructed of Heavy Duty 1/4" Grade 50 Steel
- Extends ATV/UTV Blade 5.32" Forward
- Shot Blasted before powder coating

No. 106215 ATV/UTV Plow Tube Mid Extension



www.kfiproducts.com



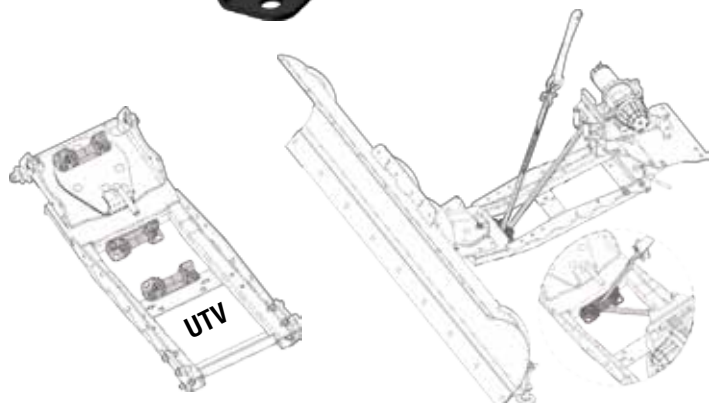
PLOW ACCESSORIES

PLOW STRAP

Replace your winch line this plow season with the new KFI Plow Strap

Reduces wear and tear on your winch and roller fairlead while raising and lowering your plow blade

- For use with Standard or Wide winches
- Recommended to be used with roller fairlead
- Replaces a Steel/Synthetic line roller fairlead
- 64" of overall length
- Use your existing winch hook
- Multiple spool attachment options
- Maximizes winch pulling capacity
- 3,200 pound break strength safety feature
- Protects winch from hits and impacts
- Eliminates damage to winch by avoiding cable stacking & binding
- Reduce wear on fairleads
- Designed for plowing
- Prolongs life of cable/synthetic rope



- No. 106100 Plow Strap
- No. 106140 Plow Strap Roller

PLOW FAIRLEAD PULLEY BRACKET

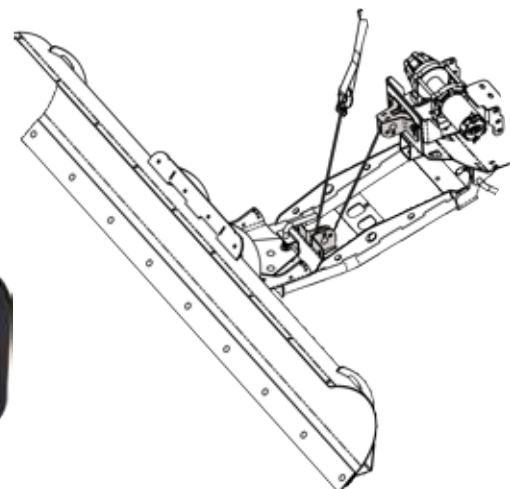
- Replaces standard winch fairlead during plow season.
- Provides larger 2-1/8" diameter roller for smoother cable movement when plowing compared to standard 7/8" rollers.
- Roller has a curved cable groove to help eliminate cable flattening that leads to snapped cables during the plowing season.
- Eliminates potential cable kink due to small roller diameter and severe pulling angles.
- Multiple roller positions for different applications and cable angles.
- **Models for both Steel and Synthetic Cable.**

Steel Cable ONLY Models:

- No. 105270 Standard 4.875" Bolt Pattern
- No. 105465 WIDE 6.00" Bolt Pattern

Synthetic Cable ONLY Models:

- No. 106270 Standard 4.875" Bolt Pattern
- No. 106465 WIDE 6.00" Bolt Pattern



SOFT STRAP

Specifications:

- 12.00" Long x 1.20" Wide
- Can be used as a tie down loop
- Designed to be used with our Plow Pulleys as an attachment point for your hook



No. 106470

SYNTHETIC PLOW CABLE

Specifications:

- High Strength SK75 Dyneema
- 4,900 lbs. (2.2t) MBS
- Heavy Duty Nylon Eye Guard



- No. SYN19-B12 3/16" x 12' Synthetic PLOW LINE Cable (Blue)
- No. SYN19-S12 3/16" x 12' Synthetic PLOW LINE Cable (Smoke)

KFI UTV PLOW LEVER LIFT

Specifications:

- Repositions lift attach point to help reduce winch and cable strain from lower mounted winches and bad cable angles
- Fully adjustable for multiple angles and attach points
- Designed to work with KFI UTV Push Tubes #105635 Only
- Will NOT work with Plow Actuator #105935
- Constructed of Heavy Duty 3/16" Grade 50 Steel
- Shot Blasted before powder coating
- Powder coated TOUGH - Black

No. 106045 KFI UTV Plow Lever Lift



GET HACKED

PLOW BLADE ACCESSORIES



KFI SNOW PLOW FLAP KITS

Kit Includes:

- Two Way Adjustable
- 11GA Steel Adjustable Snow Flap Edge Strip
- 6.5" 2-3ply Rubber Flap (adds 6" to Blade height)
- All Mounting Hardware included (all KFI Blades are Pre-Drilled)

- No. 105135** 48" Plow Snow Flap Kit
- No. 105014** 54" Plow Snow Flap Kit
- No. 105144** 60" Plow Snow Flap Kit
- No. 105835** 66" Plow Snow Flap Kit
- No. 105290** 72" Plow Snow Flap Kit



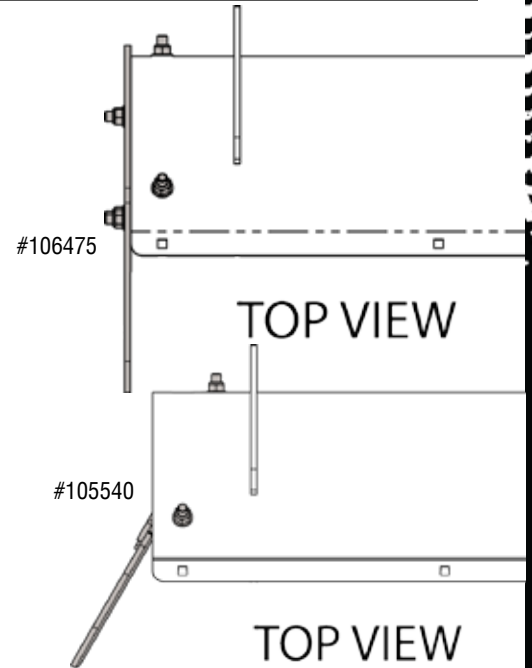
KFI Pro-S Series Side Shields



Specifications:

- Attaches to the ends of the plow to help reduce snow and dirt overflow
- Universal Left Hand or Right Hand (1 Shield Included)
- 3/16" Grade 50 Steel Powder Coated Black
- Works with all KFI Pro-Series Straight Blades
- Some Drilling Required
- Tapered Side Shield Adds 2-1/4" Width to size of blade per Shield

- No. 106475** Pro-Series Side Shield - Box (1x Shield per)
- No. 105540** Pro-Series Side Shield - Tapered (1x Shield per)



KFI Pro-Poly Side Shields

Specifications:

- NO Drilling Required
- Works with all KFI Pro-Poly Blades
- 3/16" Grade 50 Steel Powder Coated Black
- Attaches to the ends of the plow to help reduce snow and dirt overflow
- Tapered Side Shields Add 5.6" Width to size of blade per Shield
- Specific to the side of the blade

- No. 106110** Poly Plow Tapered Side Shield - (Driver Side)
- No. 106115** Poly Plow Tapered Side Shield - (Passengers Side)
- No. 106120** Poly Plow Box Side Shield (One Only)

Tapered Shield



#106110 shown

Box Shield



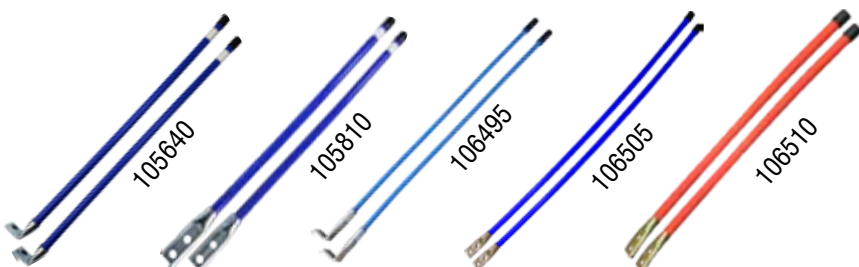
#106120

KFI Steel Plow Marker Kits

Specifications:

- Increase your blade end visibility for added safety
- Bolts to the side/ends of your blade
- Poly Markers with a steel 89 Degree angled base
- Includes two markers

- No. 105640** KFI Pro-S Plow Marker Kit
- No. 105810** KFI Pro-Poly Plow Marker Kit
- No. 106495** KFI Pro-S Premium Plow Markers
- No. 106505** KFI Pro-Poly Premium Plow Markers
- No. 106510** KFI Pro-Poly High Vis Premium Plow Markers



KFI Plow Curb Guards

Specifications:

- Designed to work with all KFI Pro Poly and Pro-S Blades
- Designed to wear with Wear Bar
- 1/4" Grade 50 Steel
- Hardware Included
- Comes in pair

- No. 106155** Plow Curb Guard



www.kfiproducts.com





PLOW REPLACEMENT PARTS

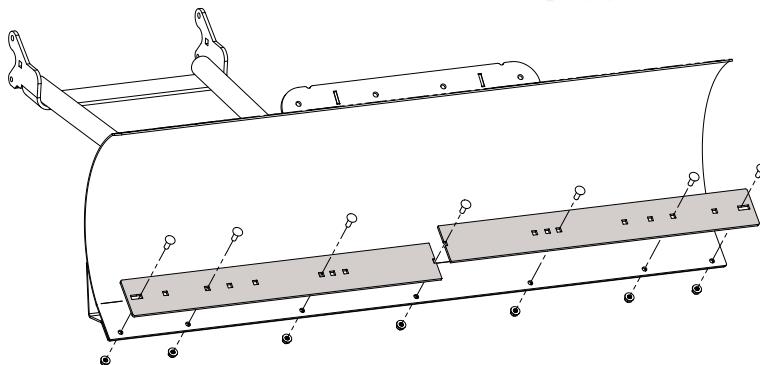


New Universal Replacement Plow Blade Wear Bars



- Two Peace Design to help reduce shipping costs and eliminate warehousing and freight storage issues
- Compatible replacements for Moose and Warn Snow Plow Blades
- Hardware NOT included (sold separately)
- 3/16" x 3.00" Grade 50 Steel, reversible
- Made in the USA

- No. **106242** 42" Replacement Plow Wear Bar
- No. **106248** 48" Replacement Plow Wear Bar
- No. **106250** 50" Replacement Plow Wear Bar
- No. **106252** 52" Replacement Plow Wear Bar
- No. **106254** 54" Replacement Plow Wear Bar
- No. **106255** 55" Replacement Plow Wear Bar
- No. **106260** 60" Replacement Plow Wear Bar
- No. **106266** 66" Replacement Plow Wear Bar
- No. **106272** 72" Replacement Plow Wear Bar

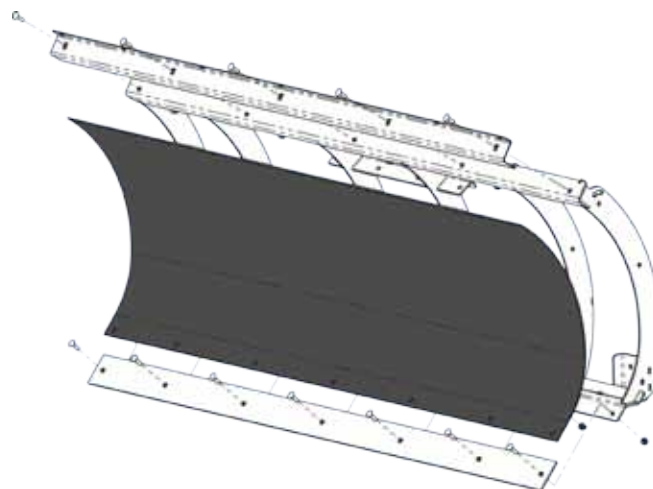


KFI Replacement Poly Sheets

Specifications:

- 1/8" Poly Sheet
- Includes replacement decal
- Made in the US

- No. **105858-R** 60" Replacement Poly Face
- No. **105863-R** 66" Replacement Poly Face
- No. **105868-R** 72" Replacement Poly Face



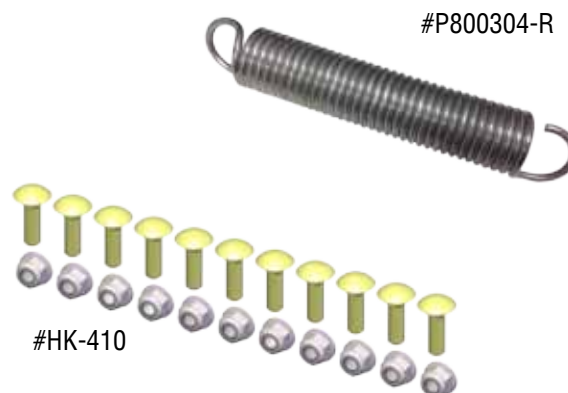
KFI Replacement Skids

- No. **105170** Plow Skid Kit (2-Pack)
- No. **105490** Single Plow Foot Replacement Kit
- No. **105595** Plow Skid (1x-Skid Only)
- No. **105006-R** Plow Foot Bracket Replacement



KFI Plow Replacement Hardware

- No. **HK-410** Replacement Wearbar Hardware
- No. **P800304-R** Replacement Plow Spring



GET HACKED

PUSH TUBE REPLACEMENT PARTS



KFI ATV/UTV Push Tube Replacement Parts

- No. 105138-R Replacement Lift Hook Bracket
- No. 105139-R Replacement Lift Lock Latch
- No. 106218-R Plow Pivot Bushing



#105138-R



#105139-R



#106218-R

KFI ATV Push Tube / Manual Lift Kit Replacement Parts

- No. 105019-R Replacement ATV Push Tube
- No. 105016-R Replacement ATV Plow Cradle
- No. 105150-R ATV Tube Parts Kit
- No. 105188 3/8" ATV Plow Pin (2 Pack)
- No. 105564 Manual Lift Pulley Bracket Upgrade
- No. 105173-R Replacement Manual Lift Cable
- No. P800280-R Replacement Manual Lift Pulley
- No. P800281-R Replacement Manual Lift Rod End Linkage
- No. P800282-R Replacement Manual Lift Eye-Bolt
- No. P800283-R Replacement Manual Lift Spring
- No. P800286-R Replacement Manual Lift Strap
- No. 105536-R Replacement Hybrid Push Tube (Not pictured)



#105019-R



#105016-R



#105188



#P800281-R



#P800286-R



#105150-R



#105173-R



#P800280-R



#P800282-R



#P800283-R



#105564

KFI UTV Push Tube Replacement Parts

- No. 106301-R Replacement Square Push Tube
- No. 105302-R Replacement SQ Push Tube Ears (2 Pack)
- No. 105639-R Replacement UTV Plow Cradle
- No. 106315-R UTV SQ Push Tube Parts Kit



#106301-R



#105302-R



#105639-R



#106315-R

www.kfiproducts.com





KFI APPAREL



KFI Ball Caps

Specifications:

- Pre-curved Visor
- Adjustable Snapback
- Cotton-Poly/Nylon Mesh
- Stitched Logo

No. BC-001 Classic KFI Ball Cap (Like Richardson Style 112)

No. BC-002 Assault Edition KFI Ball Cap (Like Richardson Style 112)

No. BC-003 Nature Blend KFI Ball Cap (Richardson Style 115)

No. BC-004 Harvest Gold KFI Ball Cap (Richardson Style 115)



FRONT

BACK

KFI Tee-Shirts

No. TS-KFI-xx KFI Products Tee-Shirt

No. TS-ASG-xx KFI Assault Tee-Shirt

Assault Tee Specifications:

- Gildan-Dry Blend 50/50 T-Shirt
- Color - Graphite Heather

KFI Products Tee Specifications:

- BELLA+Canvas 3001U
- 52% Cotton / 48% Polyester
- Color - Dark Gray Heather



FRONT

BACK

KFI FACE MASK

- One size fits all, 19.25" Tall
- 100% Polyester
- Keeps the dust, dirt, and mud off of your face

No. FM-BLK KFI Face Mask - Black

No. FM-CLR KFI Face Mask - Color

#FM-CLR

#FM-BLK



GET HOOKED



KFI PRODUCTS 4x2 BANNER

- 4' x 2' banner
- Indoor or Outdoor
- Eyelets in corners for hanging

No. G000020



KFI PREMIUM Can Koozie

Specifications:

- Thick, 5mm neoprene construction
- Will keep your beverage cold at any gathering!
- No cheap foam stuff here!!

No. G000151



BACK

FRONT

KFI "GET PLOWED" TUMBLER 30oz

Specifications:

- Yeti Rambler 30oz
- Yeti Rambler MagSlider Lid
- Will keep your beverage hot/cold at any gathering!
- 18/8 Stainless Steel
- Double-Wall Vacuum Insulation
- Dishwasher Safe
- KFI and Get Plowed Logos

No. TUM-30-PL



KFI ROLL TOP DRY BAG

- Waterproof
- Made from durable Tarpaulin
- Carry Handle
- Adjustable Shoulder Strap
- Multi Purpose Use
- Keeps Gear Dry

No. KFI-DB-15L KFI 15L ROLL TOP DRY BAG





MISCELLANEOUS

RANGER CARGO RAILS



Specifications:

- 100% MADE IN USA.
- No drilling required
- Multiple holes for bungee and cable straps
- Allows you to strap multiple items and keep them planted in your bed
- Bolt up pattern using 30" apart existing bed holes front to rear
- Keeps your cargo in the box while riding rough trails
- Sold in pairs
- Powder coated Black for supreme durability

No. 101005 Full Size Ranger 500/700/800



HONDA PIONEER TAILGATE LEVELER

When you drop the tailgate on a pioneer it is angled up. These brackets drop the tailgate so it is level with the bed.

Specifications:

- 100% MADE IN USA.
- Constructed of grade 50 steel
- Unlike all other competitors, our parts are metal bead blasted before they are powder coated for the best possible finish prep
- Powder coated blade for supreme durability
- Satisfaction guaranteed

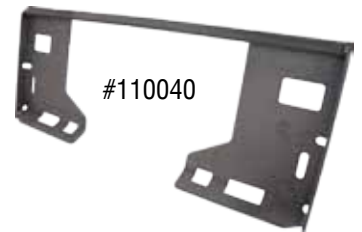
No. 101295



SKID STEER ATTACHMENT MOUNT PLATES

Specifications:

- 100% MADE IN USA.
- Heavy Duty one piece welded together design
- Constructed of:
 - 110040: 5/16" Grade 50 steel with a 3/8" thick Top Bar
 - 110050: 1/4" Grade 50 steel with a 3/8" thick Top Bar
- Plates are unpainted for ease of welding on attachments
- Added cutouts for stronger welding options to buckets and other attachments
- Fits all Skid Steers with the Universal Quick Attach mounting system
- Laser Cut and CNC Formed



No. 110040 5/16" Winged Plate

No. 110050 1/4" Solid Plate

HONDA TALON FRONT LOWER DOOR PANELS

Specifications:

- 100% MADE IN USA.
- Simple Install
- Plastic Drilling Required
- .125" Aluminum Construction
- Sold in pairs (Driver and Passenger)
- Powder coated Black Sand Texture for supreme durability

Talon 1000 (X/R/XS/RS) Front Lower **101785**

Talon 1000-4 (X/R/XS) Front Lower **101785**

Talon 1000-4 (X/R/XS) Rear Lower **101845**



FRONT TOW HOOK - POLARIS GENERAL/RZR

The Front Tow Hook bolts straight on to the General/RZR front end below the bumper. This provides a great area for a sturdy attachment point.

- Complete installation instructions included.
- All mounting hardware included.

No. 101270



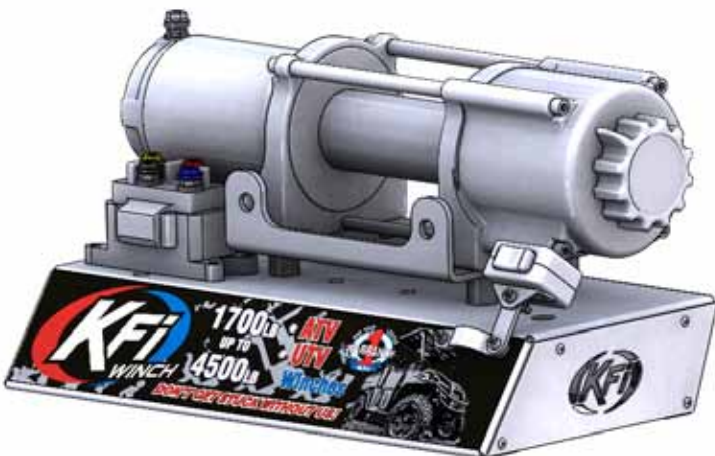
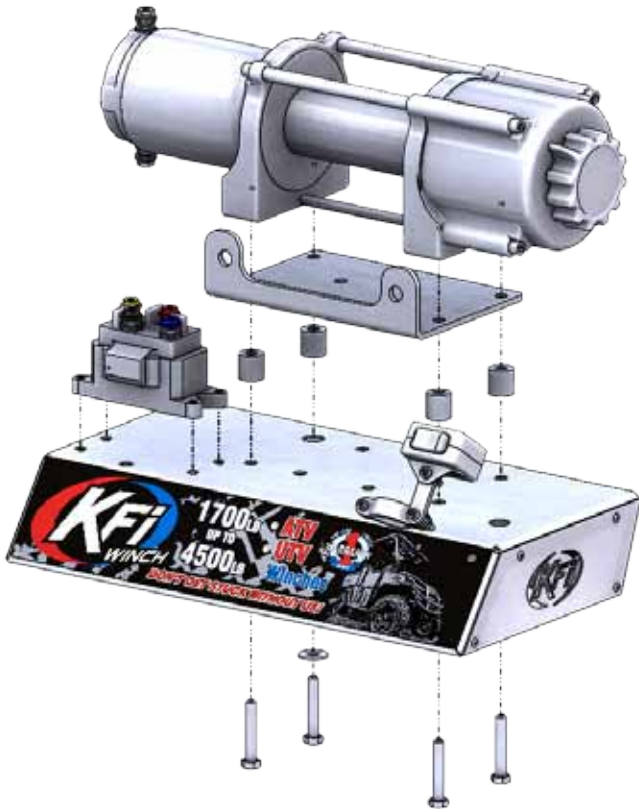
GET HOOKED



SINGLE DEALER WINCH DISPLAY

- Holds Winch, Contactor and Mini-Rocker (NOT included)
- Works with all KFI Winches
- Can sit on counter or hang on standard Grid wall with included Grid wall Bracket
- Comes with hardware to mount (1) winch as shown (winch NOT included)

No. 110565



FLOOR STANDING WINCH DISPLAY

- Holds up to (5) Winches
- Comes with hardware to mount (1) winch as shown (winch NOT included)
- Side channels have eye hook holes for hanging accessories
- Assembly required
- Display Dimensions: 20" x 23" x 75"
- Display Weight: 71 lbs.

No. 110400

www.kfiproducts.com



COMPANY PROFILE

Kappers Fabricating, Inc.

KFI Products, a brand name of products primarily manufactured by Kappers Fabricating Inc. We are a family-owned company that has been in business since 1986. In 2002, we decided to venture into manufacturing our own products and introduced our first KFI ATV Winch Mount. Since then, we have expanded our product line and introduced additional items such as the KFI Winch to complement our manufactured products.



Located in Spring Valley, MN, we operate from a 92,000 sq. ft. Manufacturing Facility. The majority of our products and accessories are made in-house, and we handle the assembly, packaging, receiving, and shipping of products in our new 40,000 sq. ft. facility located behind our manufacturing plant.

To ensure the quality and customer satisfaction of our products, we engage in thorough research and testing. We collaborate with other manufacturers and employ a team of powersports enthusiasts who rigorously test our products before bringing them to our home facility. We only sell items that meet our demanding standards.

We take pride in our highly skilled engineers and production team who work together to create custom ATV accessories using high-quality materials. Each of our KFI Products undergoes a meticulous inspection process to ensure a precise fit and ease of installation for various ATV models.

Our aim as KFI Products is to provide customers with the highest-quality ATV accessories at competitive prices. With our in-house engineering capabilities, riding experts, and strategic partnerships, we strive to offer a range of exciting products, including bumpers, winching accessories, and upgrades.

For more information about KFI Products and to explore our product offerings, you can visit our website.





Business Hours (Central Time)



Customer Service

orders@kfiproducs.com

1-877-346-2050: Option 1

Monday-Thursday: 8:00am - 5:00pm

Friday: 8:00am - 1:00pm

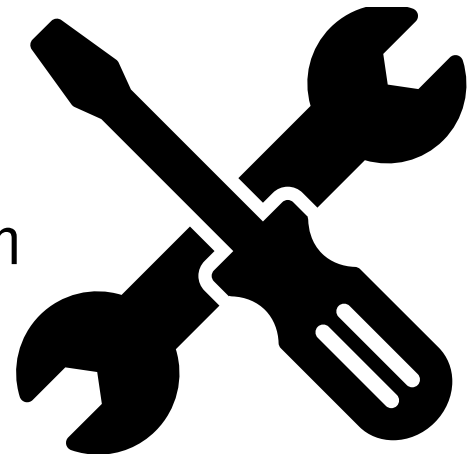
Technical Assistance & Warranty

tech@kfiproducs.com

1-877-346-2050: Option 2

Monday-Thursday: 8:00am - 5:00pm

Friday: 8:00am - 1:00pm



Address

KFI Products

721 Sata Drive

Spring Valley, MN 55975

www.kfiproducs.com

DISTRIBUTED BY:

WPS

KIMDEX

MOTOVAN



**PARTS
UNLIMITED**

**AUTOMATIC
DISTRIBUTORS**



**IMPORTATIONS
THIBAUT**

**TURN 14
DISTRIBUTION**



www.kfiproducts.com

1-877-346-2050

**KFI PRODUCTS
KAPPERS FABRICATING INC.
P.O. BOX 32 | 721 SATA DR.
SPRING VALLEY, MN 55975**