

POLARIS GEN 4 DOUBLE TUBE BUMPER

Winch Mount

PART #100425

Kit Components:

Item #	Qty.	Description
1	1	Winch Mount
2	1	HK-002
2.1	4	M8-1.25 X 1.00" Flat Head Cap Screw
2.2	4	5/16"-18 X 1.00" Hex Nut Nylock GR5
2.3	4	5/16" Flat Washer
2.4	4	5/16"-18 Hex Nut Nylock GR5
*2.5	4	*5/16"-18 X 1.00" Flat Head Cap Screw - Not Used

Note: Make sure all hardware needed to complete this mount is in the package. Thoroughly read through and understand the instructions before installing.

Installation Instructions

- If your bumper is already installed you will need to remove it from your ATV.
- Connect the winch motor wires to your winch and then assemble the winch to the mount plate as shown in Figure 1 using the supplied Flat Head Screws.
 - NOTE:** Also make sure you pull your cable through the cable hole in the plate.
- Assemble your roller or hawse fairlead to your bumper with the hardware that was supplied with your winch.
- Assemble the winch and mount assembly to the bumper with the supplied 5/16" hardware as shown in Figure 2 and 3. At the same time feed you cable through the Roller or Hawse Fairlead.
- Reassemble the bumper to your ATV.
- Using the instructions provided with your winch, wire accordingly.

Figure 1

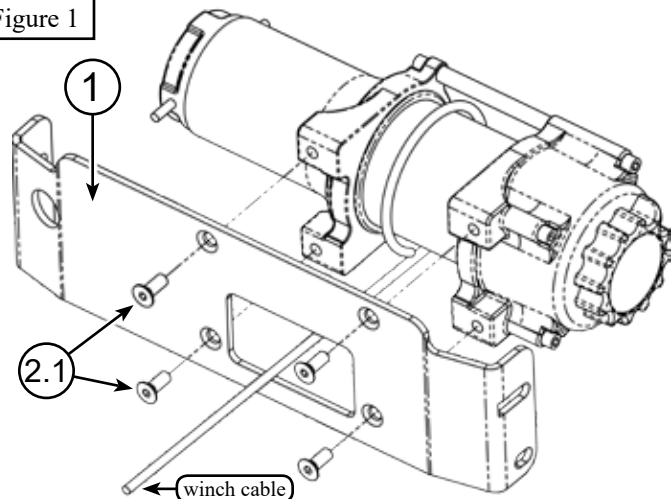


Figure 2

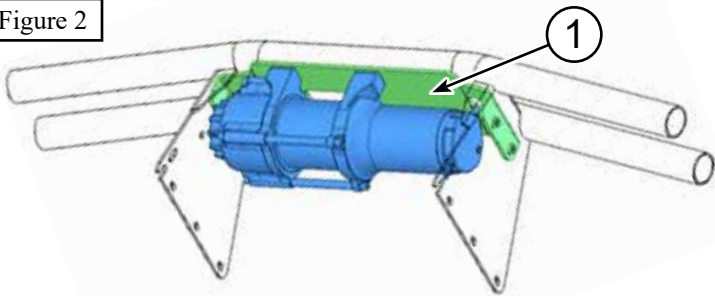


Figure 3

