

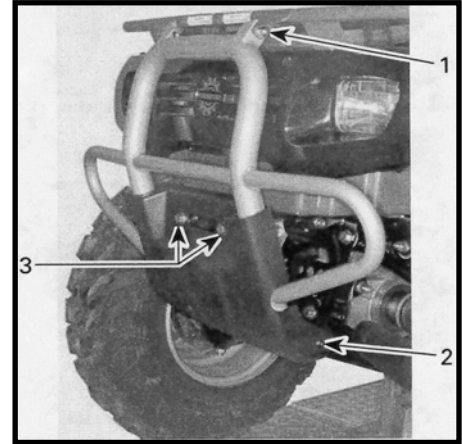
Bombardier **Traxter / Traxter XL / Quest 2-Hole Winch Mount**

Winch Mount

PART # 100515

Kit Components:

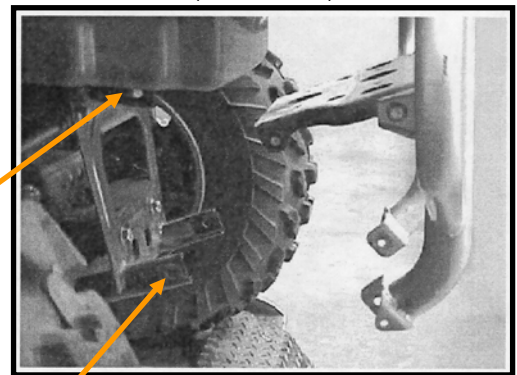
<u>Qty</u>	<u>Part Description</u>
1.....	Mount Bracket
1.....	Backing Plate
2.....	5/16"-18 x 1 1/4" Hex Head Flange Bolts
2.....	5/16"-18 x 1" Hex Head Flange Bolts
4.....	5/16" SAE Flat Washers
4.....	5/16"-18 Locking Hex Nuts



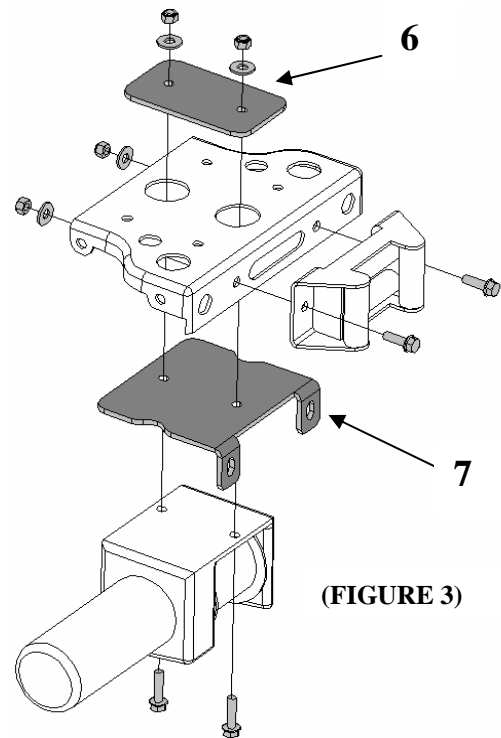
(FIGURE 1)

INSTALLATION INSTRUCTIONS:

1. Loosen (do not remove) the top Bolts [1] that are attached to the rack. (see figure 1).
2. Remove the plastic brush guard bottom screws [2] and the front brush guard bolts [3]. (see figure 1).
3. Remove the 2 frame upper bolts [4] and the 2 frame lower bolts [5]. (see figure 2).
4. Swing out the whole bumper assembly as needed to complete the remaining steps. (see figure 2).
5. Assemble winch, Mount Bracket [7], and Backing Plate [6] to OEM bracket using the supplied 5/16"x1.25" hardware as shown. (see figure 3)
6. Make sure both surfaces of Mount bracket [7] is mated tight to OEM bracket before tightening winch down.
7. Reinstall upper and lower frame bolts [4&5] Torque to 28Nm (21 ft lbs).
8. Reinstall plastic brush guard with 2 lower screws [2] (previously removed)
9. Attach roller fairlead or hawse with supplied 5/16"x1.00" hardware thru Mount Bracket [7], OEM bracket, plastic brush guard, and fairlead. Torque to 28Nm (21 ft lbs).
10. Using the instructions provided with your winch, wire accordingly
11. Your Ignition Wire will be on the vehicle side of the speedometer electrical connector that is under the steering cover. For colors see Below:



(FIGURE 2)



(FIGURE 3)

- Traxter & Traxter XL: RED/BROWN wire
- Quest: RED/VIOLET wire

CAUTION: Do not use the PURPLE wire on the key switch

