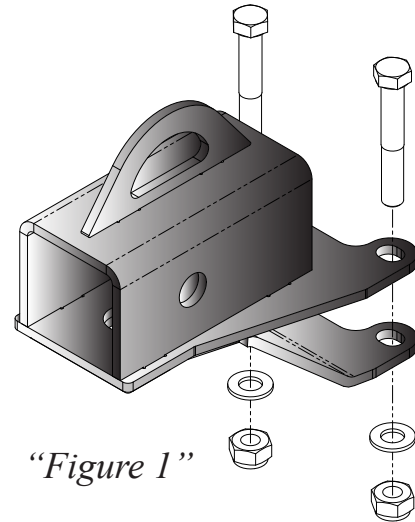


HONDA REAR 2" RECEIVER (OFFSET)

RECEIVER PART # 100565
 Hardware Kit: HK-030

Kit Components:

Qty.	Part Description
1.....	Receiver
2.....	M10-1.5mm x 65mm Bolt
2.....	M10 Flat Washer
2.....	M10-1.5mm Nylock Nut



“Figure 1”

INSTALLATION INSTRUCTIONS:

1. Place receiver over mounting holes on rear axle. Install using hardware provided with kit as shown in Figure 1&2.
2. Tighten down all bolts.



“Figure 2” Right Side



“Figure 3” Left Side

