

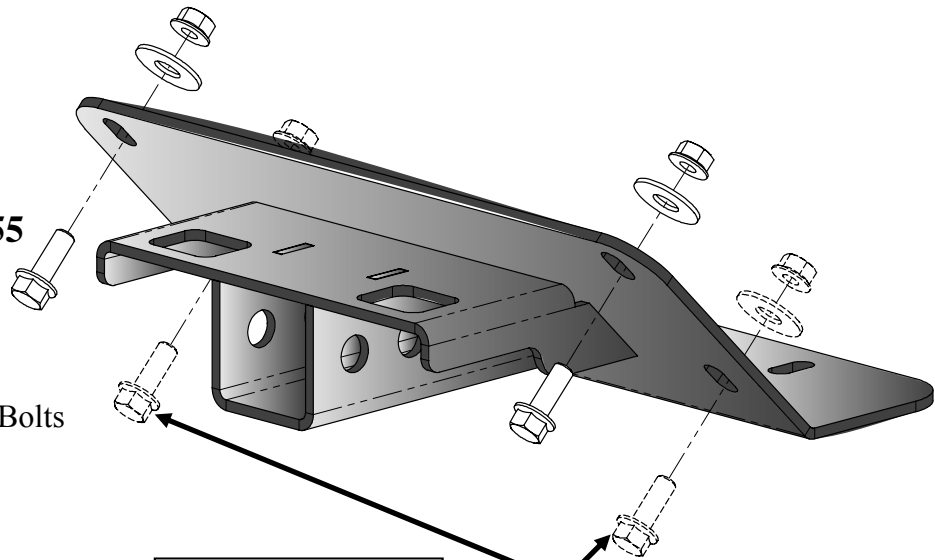
# **Polaris RANGER** **Lower 2" Receiver**

**2" Receiver**

**PART # 100655**

**Kit Components:**

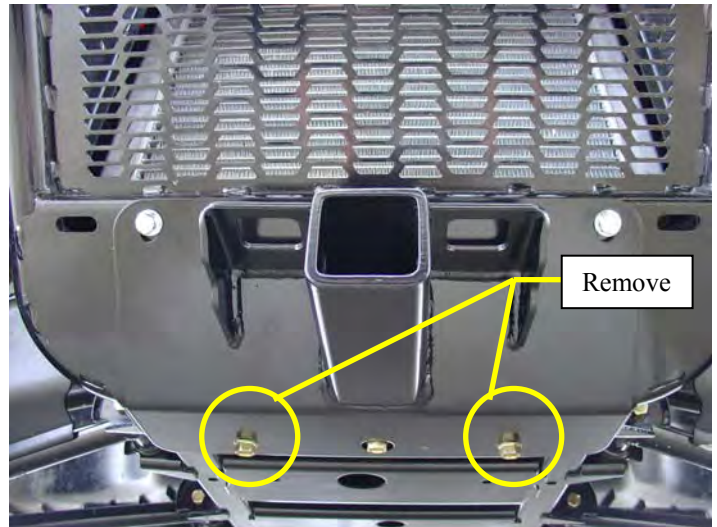
<b>Qty</b>	<b>Part Description</b>
1.....	2" Receiver
4.....	3/8" x 1" Hex Head Flange Bolts
8.....	7/16" USS Flat Washers
4.....	3/8" Flanged Lock Nut



These 2 bolts are optional and will require drilling of your bumper

**INSTALLATION INSTRUCTIONS:**

1. Remove the two lower bumper bolts on your Ranger as shown in Figure 1.
2. Place the Receiver into location and assemble the included 3/8" hardware and the two factory bolts that were removed in Step 1 as shown in Figure 1.  
*(Note: There are additional slots that are in the receiver and hardware that can be used as an option, but drilling of your Ranger bumper will be required. This is not required or needed as the receiver is strong enough without them)*



"Figure 1"

