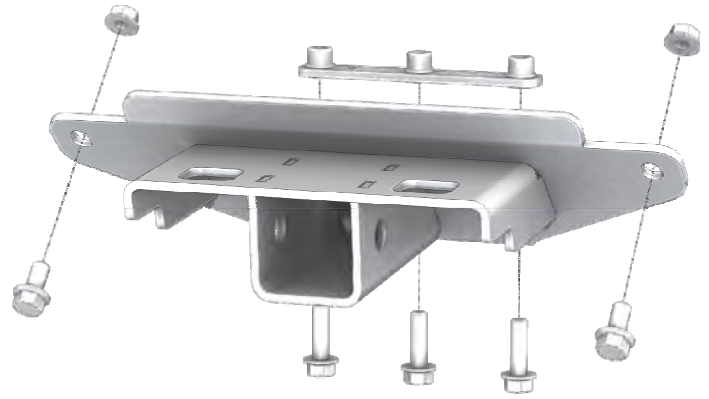


2009-2011 Polaris RANGER **Lower 2" Receiver**

2" Receiver **PART # 100810**

Kit Components:

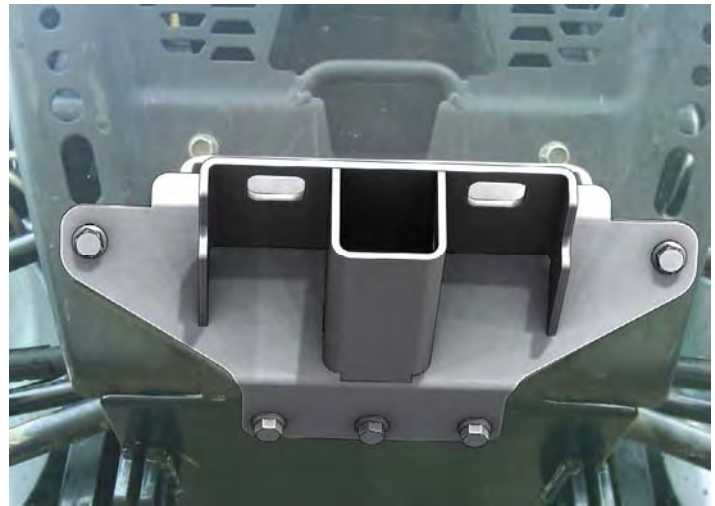
<u>Qty</u>	<u>Part Description</u>
1.....	2" Receiver Plate
1.....	Receiver Bolt Plate
2.....	3/8"-16 x 1 1/4" Hex Head Flange Bolts
2.....	3/8" Flanged Lock Nut
3.....	3/8"-16 x 1 1/2" Hex Head Flange Bolts



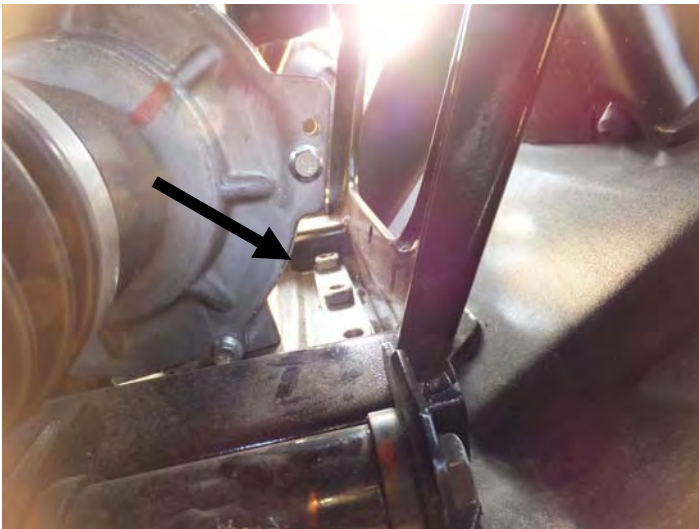
“Figure 1”

INSTALLATION INSTRUCTIONS:

1. Place the Bolt Plate into position as shown in Figure 4.
2. Place the Receiver into location and assemble the included 3/8" hardware as shown in Figure 1 and 2.



“Figure 2”



“Figure 4”



“Figure 3”

