

# POLARIS RZR 570

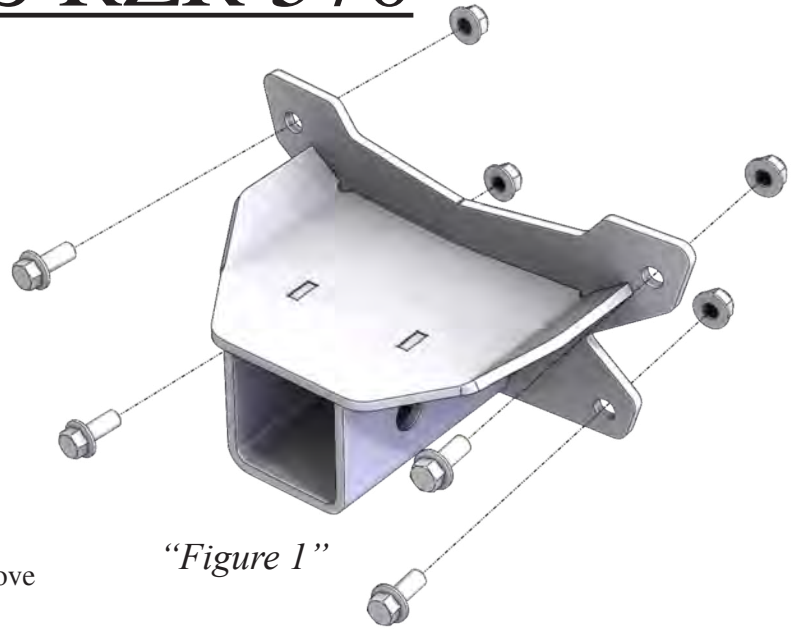
Rear Receiver

PART # 100985

Hardware Kit: HK-300

## Kit Components:

Qty.	Part Description
1.....	Receiver Mount
4.....	5/16"-18 x 3/4" Flange Bolt
4.....	5/16"-18 Flange Nut
1.....	1/4"-20 x 2" Flange Bolt
1.....	1/4"-20 Flange Nut



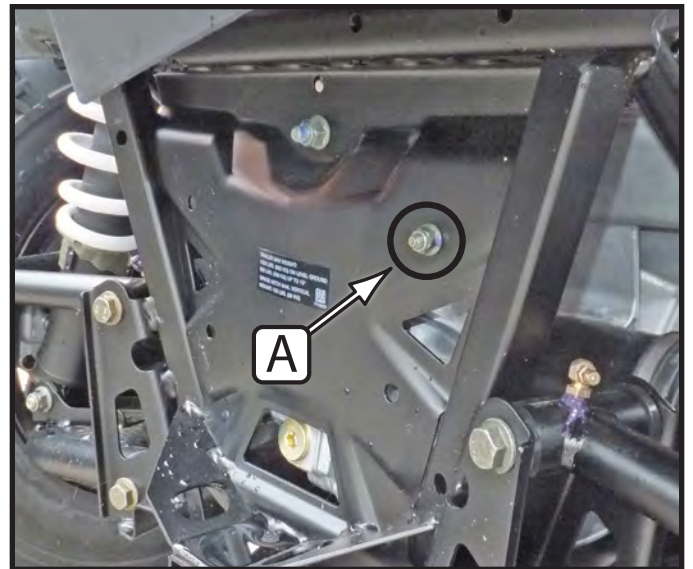
"Figure 1"

## INSTALLATION INSTRUCTIONS:

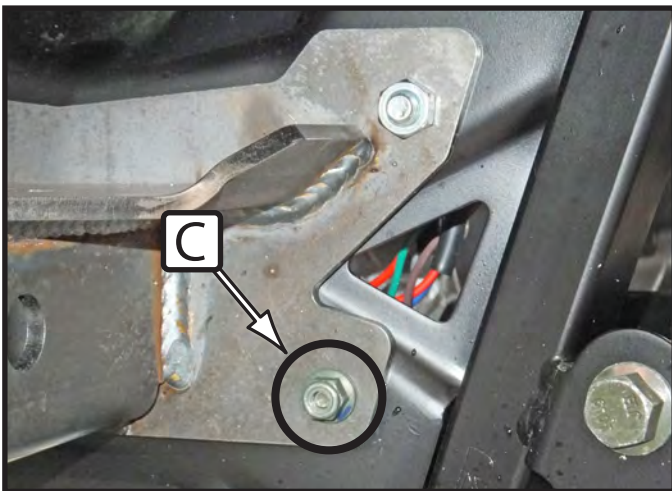
1. If you have the 570 EPS Trail LE you will need to remove the regulator from location (A).

*Note: This will be reinstalled to a lower location in step 3.*

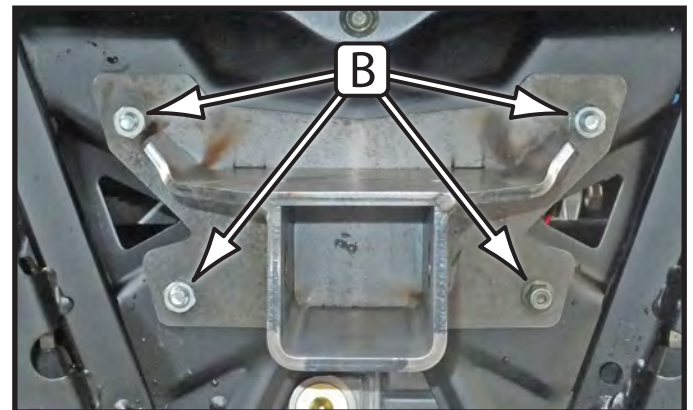
2. Install the receiver mount using the 5/16" bolts and nuts (B) provided with the receiver as shown in Figure 3. If you have 570 EPS Trail LE location (C) will be replaced with the 1/4" hardware provided with the receiver. See Figure 4.
3. Tighten down all bolts.



"Figure 2" Roller Fairlead Install



"Figure 4" New Regulator Location



"Figure 3" Fully Installed

