

FAIRLEAD MODULAR BUMPER

Front Bumper

PART # 101010

Needs Supporting Component

Hardware Kit: HK-300

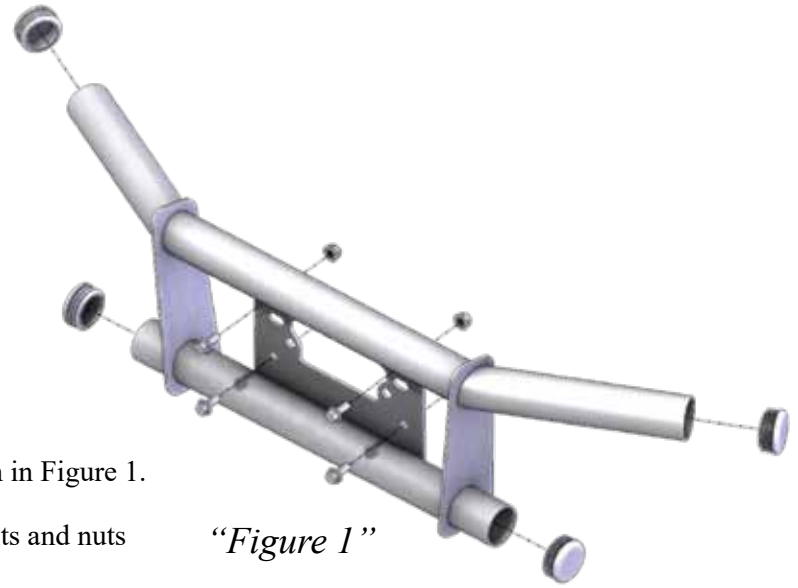
Kit Components:

Qty.	Part Description
1.....	Front Bumper
4.....	Bumper End Caps
4.....	5/16"-18 x 3/4" Flange Bolt
4.....	5/16"-18 Flange Nut

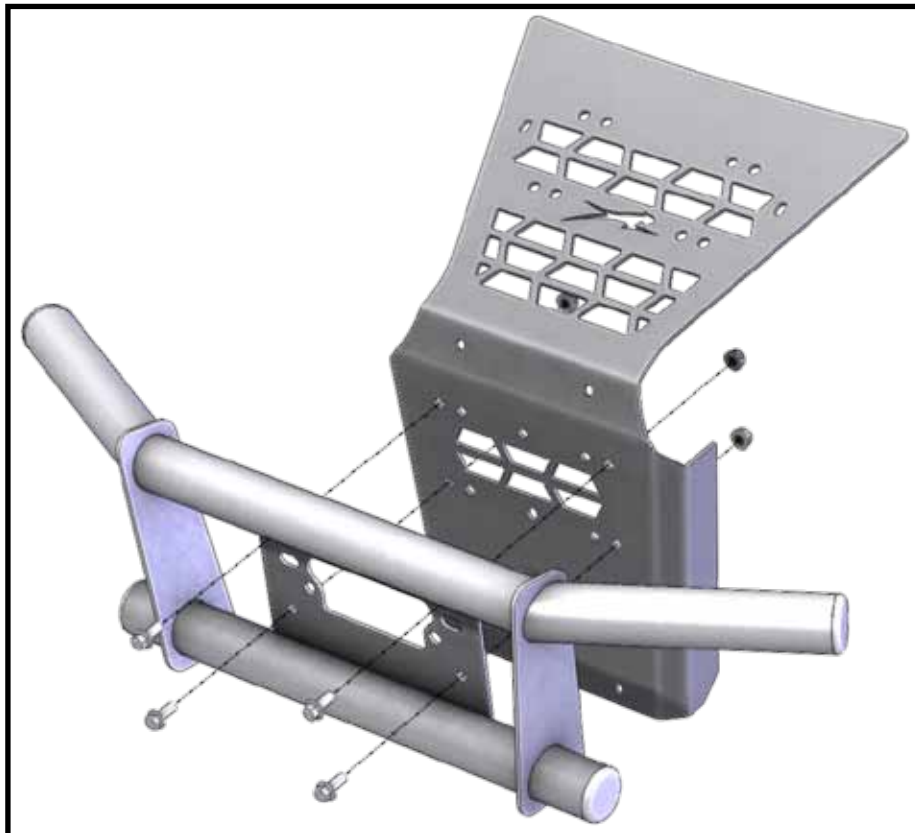
INSTALLATION INSTRUCTIONS:

Bumper Only Install (Wildcat)

1. Install bumper end caps in bumper tube ends as shown in Figure 1.
2. Install bumper to replacement grill using the 5/16" bolts and nuts included in the hardware kit. See Figure 2.
3. Tighten down all bolts
4. Install Replacement Grill (PT# 101000) and Bumper assembly. See Replacement Grill manual.



See page 2 for bumper and winch mount install.



"Figure 2" Bumper Only Install

Bumper & Winch Mount Install

1. Install roller fairlead and bumper to winch bracket as shown in Figures 3&4.

Standard Fairlead (4.875" Bolt Pattern)

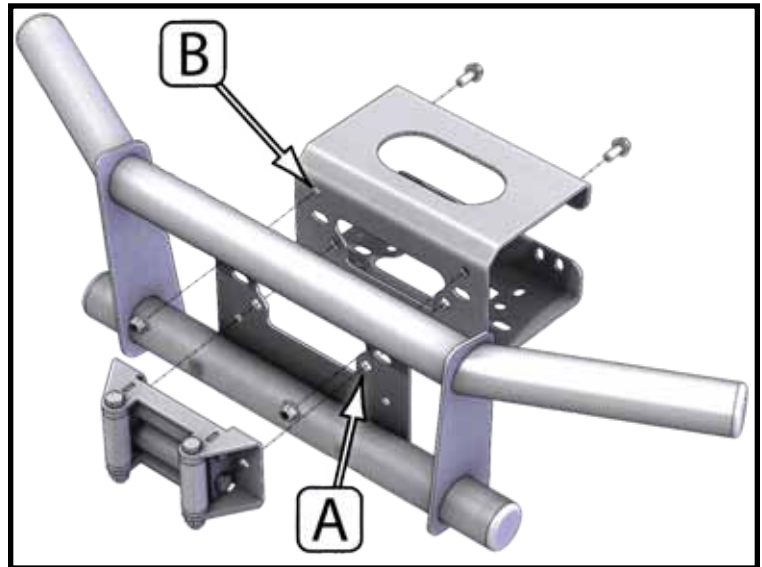
The standard fairlead is installed in the bottom two fairlead holes (A) and the 5/16" bolts and nuts are installed in the top two holes (B). See Figure 3.

Note: The bolts need to be installed with the nuts to the roller fairlead side as shown in Figure 3.

Wide Fairlead (6.6" Bolt Pattern)

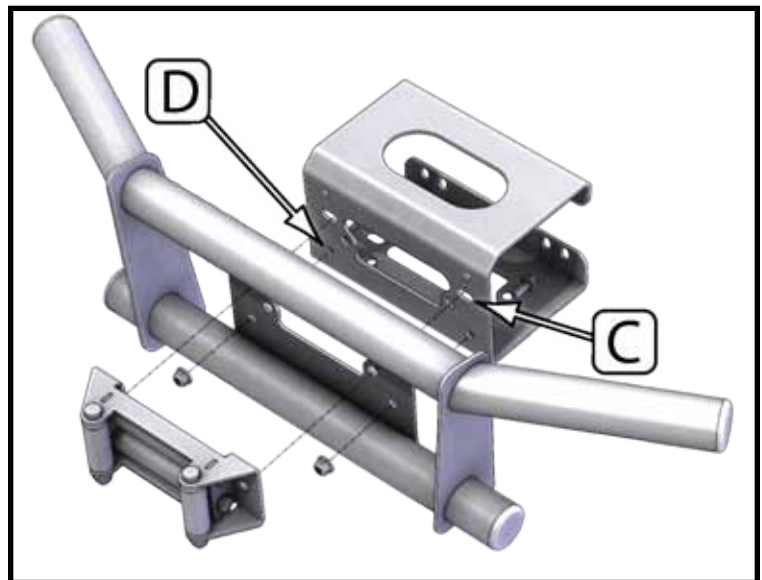
The wide fairlead is installed in the top two fairlead holes (C) and the 5/16" bolts and nuts are installed in the bottom two holes (D). See Figure 4.

Note: The bolts need to be installed with the nuts to the roller fairlead side as shown in Figure 4.



"Figure 3" Standard Fairlead and Bumper Install

2. Tighten all Bolts
3. Install Bumper and Winch mount assembly to replacement grill as shown in Figure 5 using the hardware provided with your winch. Tighten Bolts.
4. Install Replacement Grill (PT# 101000) and Bumper assembly. See Replacement Grill manual.
5. Using the instructions provided with your winch, wire accordingly. See wiring page in Winch Bracket manual for wiring locations and specifics.



"Figure 4" Wide Fairlead and Bumper Install



"Figure 5" Bumper and Winch Bracket Assembly Install

