

POLARIS RZR XP 900

Winch Spacer Plate

Part #: **101065**
For use with: *KFI Winch Mount #100765 only.*
*Winches similar to to **Figure A**.*

Contents:
1x 101065 Winch Spacer Plate

Installation:

1. Install KFI winch mount per instructions until you're ready to bolt the winch on.
2. Add spacer plate between mount surface and winch as shown in *Figures 1 & 2* below.
3. Fasten winch using the longest bolts provided with your winch for that purpose. In general, these are usually M8x1.25 x 30mm long screws and should be long enough to secure the winch through both plates.

If your bolts are different, substitute hardware at your own discretion of approximately the same length.

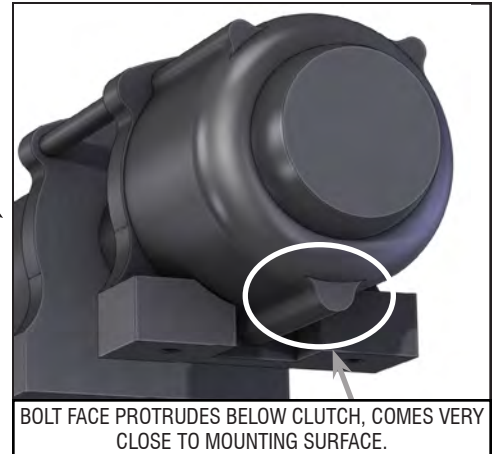


Figure A. - View from Clutch Side

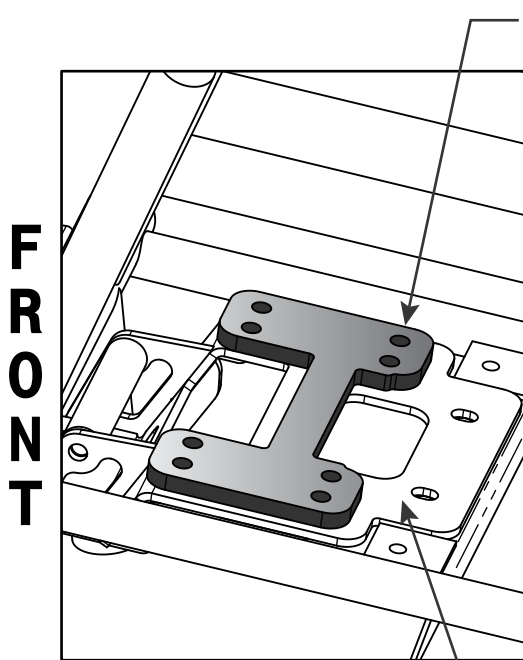


Figure 1. - Placing spacer.

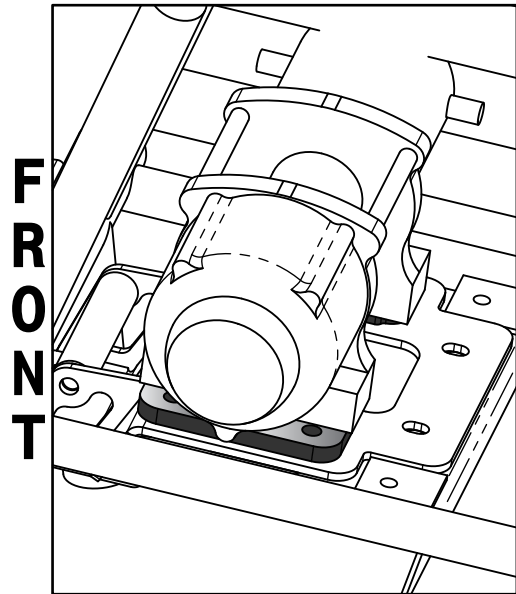


Figure 2. - Final Assembly

KFI P/N: 100765

4. Finalize winch mount installation and wire your winch according to instruction provided by your winch manufacturer.