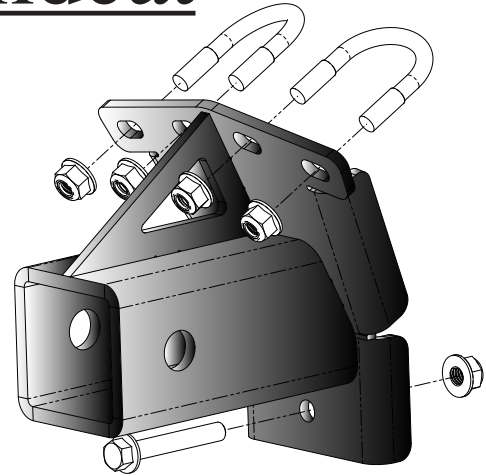


Arctic Cat Wildcat

Rear Receiver PART # 101135
 Hardware Kit: HK-148

Kit Components:

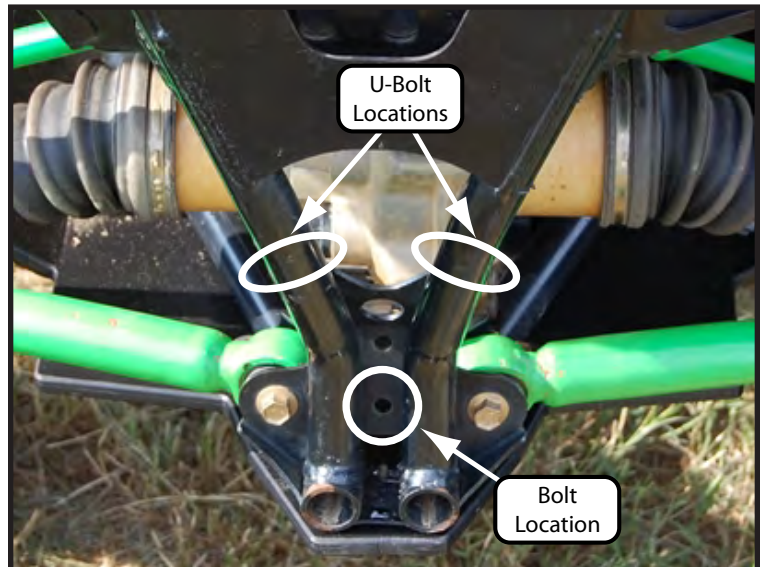
Qty.	Part Description
1.....	Receiver Plate
2.....	5/16"-18 U-Bolt
2.....	3/8"-16 x 1 1/4" Flange Bolt (Not Used)
2.....	3/8"-16 Nylock Flanged Nut (Not Used)
1.....	5/16"-18 x 2" Flange Bolt
5.....	5/16"-18 Nylock Flange Nut



"Figure 1"

INSTALLATION INSTRUCTIONS:

1. Place U-bolts over the frame as shown in Figures 1&2.
2. Loosly install the receiver to the u-bolts using the 5/16" flange nuts.
3. Install the 5/16 x 2" flange bolt and nut through the bottom hole in the receiver and the hole in the frame, as shown in Figures 1-3.
4. Tighten down all bolts, be sure to make the u-bolt ends the same length.



"Figure 2" Hardware Locations



"Figure 3" Receiver Installed

