

WINCH SPACER KIT

Tailgate Bracket PART # 101210

Kit Components:

Item #	Qty.	Description
1	4	SPACER
2	1	HK-314 (Hardware Kit)
2.1	4	M8-1.25 X 30 HEX BOLT
2.2	4	M8-1.25 X 35 HEX BOLT
2.3	4	M8 LOCK WASHER
2.4	4	M8 FLAT WASHER

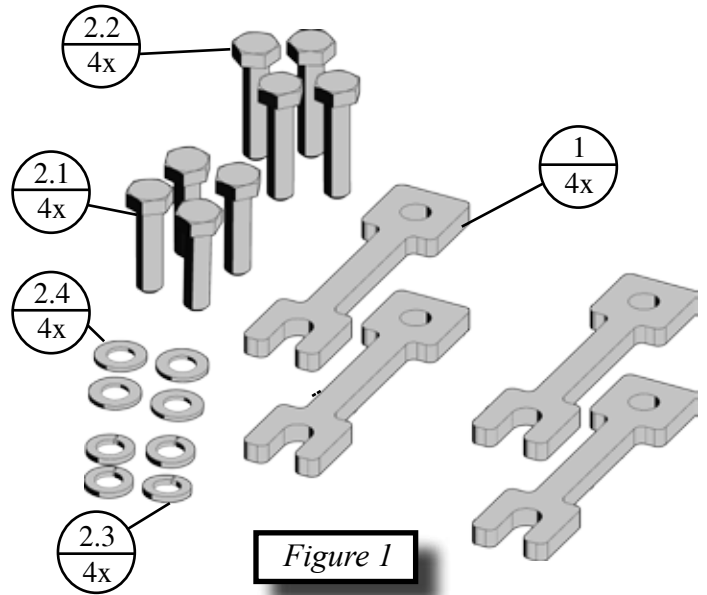


Figure 1

INSTALLATION INSTRUCTIONS:

Note: Make sure all of the hardware needed to complete this mount is in the package. Read through and understand the instructions before installing.

1. Place spacers between fairlead bracket and mounting surface. Use 30mm bolts if only one spacer is required. Use 35mm bolts if two spacers are required. Once all hardware has been installed, tighten all hardware evenly.

Figure 2

2. Figure 2 shown is a sample of using four spacers, two per side. Your machine may only require one spacer per side.

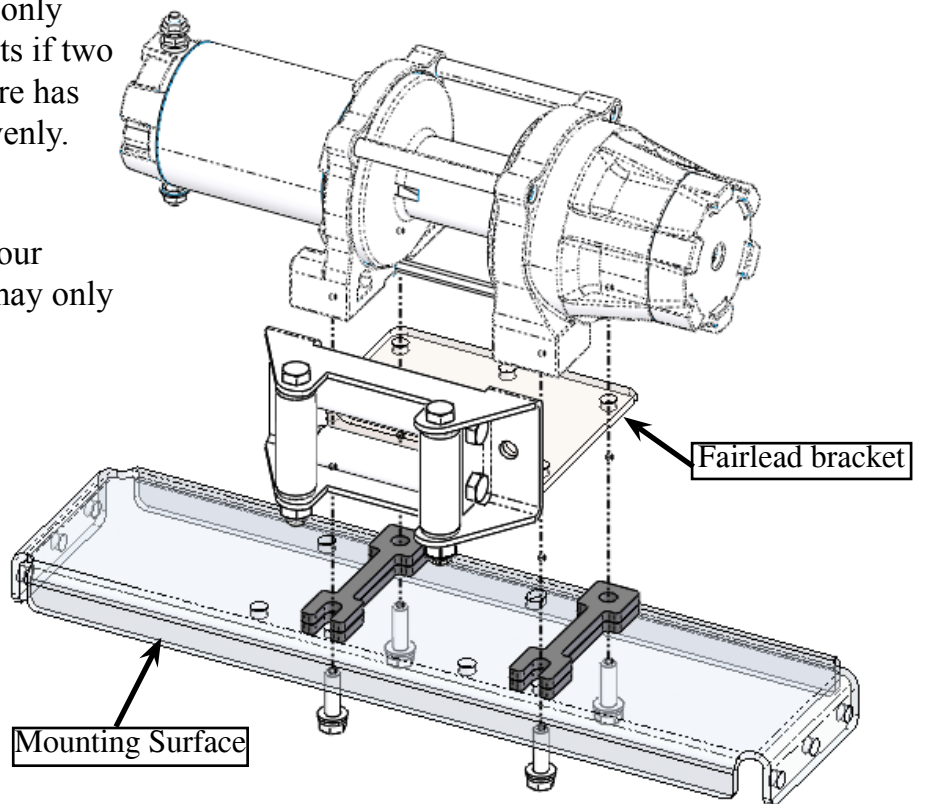


Figure 2

