

Universal 2" Upper Receiver - Bolt-On

Note: Receiver will fit any standard four hole winch mount without fairlead flange (3" x 4 7/8" Bolt-Up pattern).

Winch Mount Receiver - **PART # 101240**
Hardware Kit: HK-001

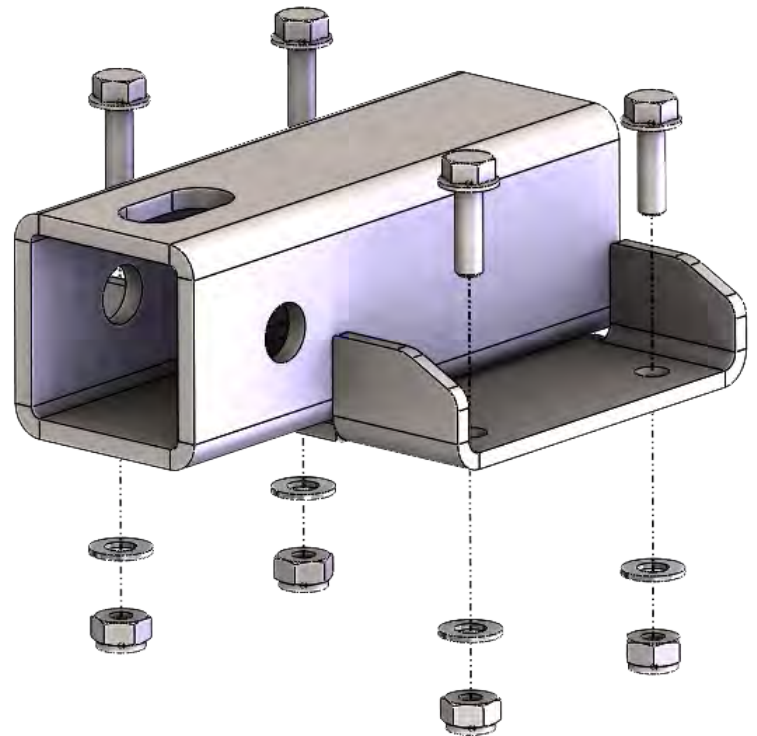
Kit Components:

Qty.	Part Description
1.....	REC - Universal 2" Upper (Bolt-On)
4.....	5/16"-18 x 1" Bolt
4.....	5/16" SAE Flat Washer
4.....	5/16"-18 Nylock Nut

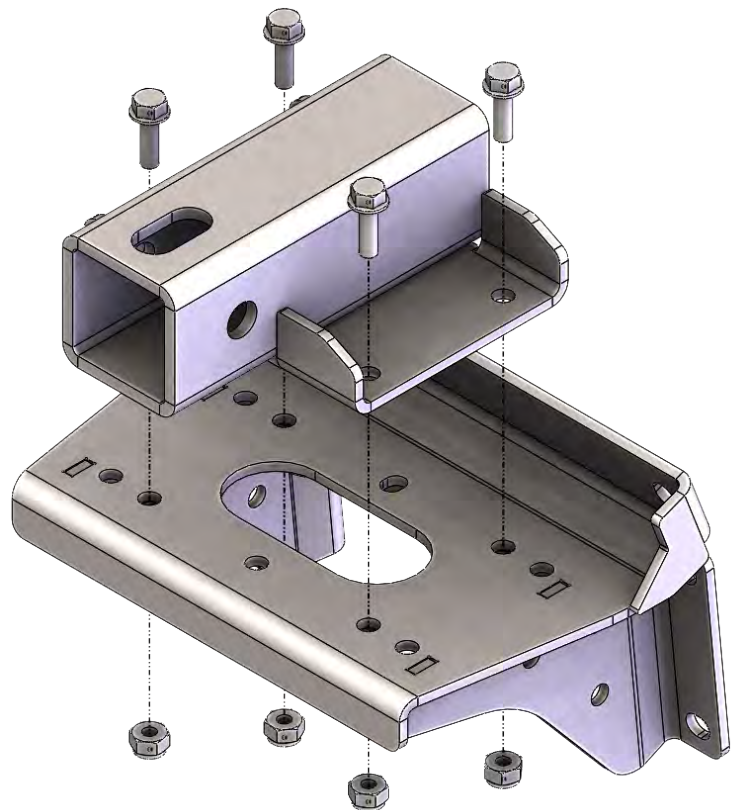
INSTALLATION INSTRUCTIONS:

1. Place Receiver on mount and line up holes.
2. Place 5/16" x 1" Bolts through holes in receiver plate and mount (Figure 2).
3. Place 5/16" Flat Washer and 5/16"-18 Nylock Nut on the bolt and tighten hardware.

Notes:



“Figure 1” Exploded View



“Figure 2”

(EXAMPLE: Placement on Mule Pro FXT)

