

# Kawasaki Mule Pro FXT Rear Bumper

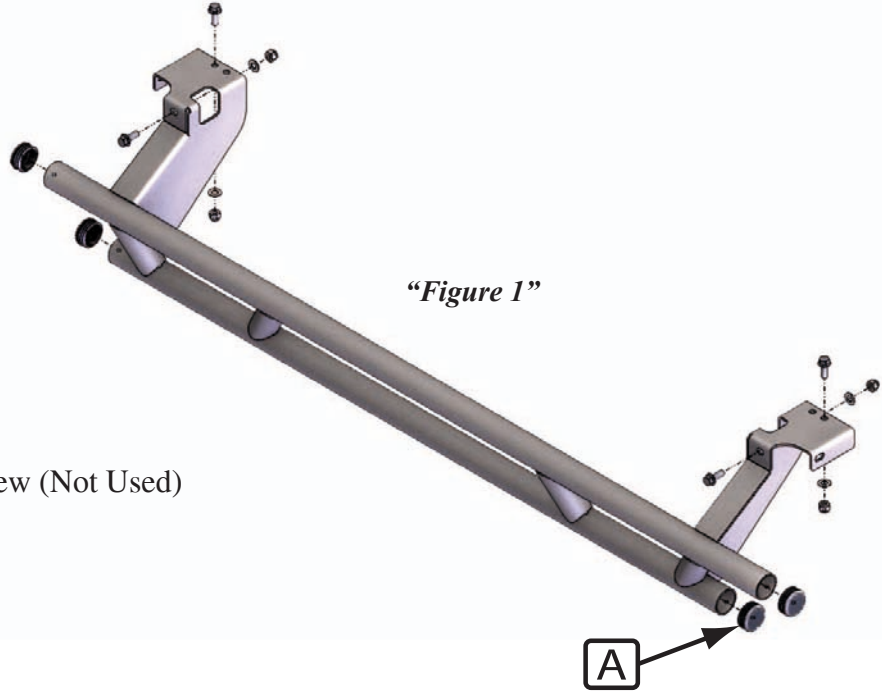
Rear Bumper

**PART # 101250**

**Hardware Kit: HK-011**

**Kit Components:**

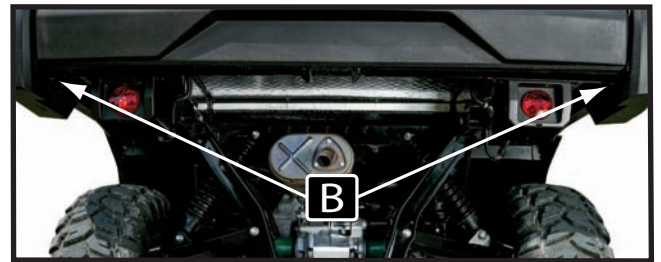
Qty.	Part Description
1.....	Rear Bumper
4.....	3/8-16 x 1" Hex Flange Bolt
4.....	3/8-16 Hex Flanged Nylok Nut
4.....	3/8-16 Flat Washer
1.....	3/8-16 X 1-1/4 Flat Head Socket Screw (Not Used)



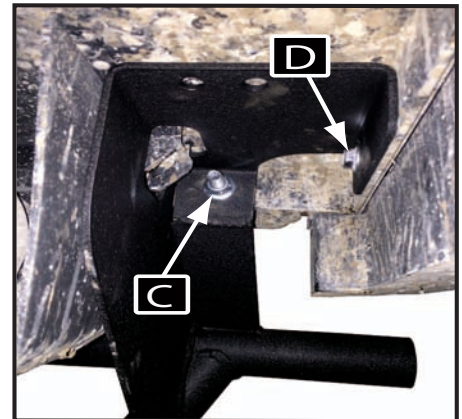
“Figure 1”

**INSTALLATION INSTRUCTIONS:**

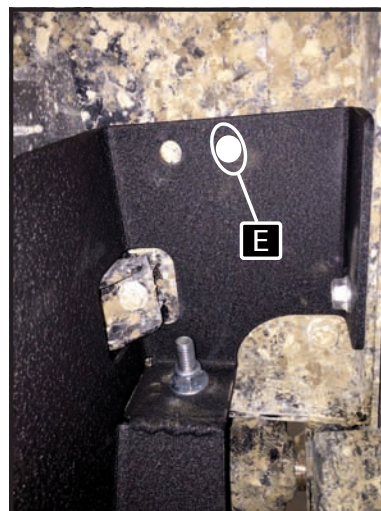
1. Assemble tube caps (A) to bumper tubes as shown in *Figure 1*.
2. Locate and remove stock bolts (B) as shown in *Figure 2*.
3. Hold bumper in place and run 2x 3/8-16x1 hex flange bolts (C) through holes in bumper and frame as shown in *Figure 3*.
4. Re-install bolts (D) removed in **Step 2**, into stock location through bumper bracket as shown in *Figure 3*.
5. Place nuts on back of bolts and tighten all hardware.
6. Using bumper bracket as template, mark and drill (E) as shown in *Figure 4*.
7. Place 2x 3/8-16x1 hex flange bolt (F) through hole drilled, place nuts on back of bolts and tighten all hardware as shown in *Figure 5*.



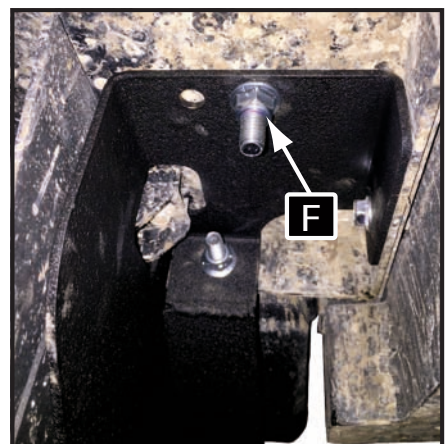
“Figure 2”



“Figure 3” Bumper location



“Figure 4” Drill Location



“Figure 5”

