

CAN-AM DEFENDER

Rear Bumper

Plow Mount

PART # 101315
Hardware Kit: HK-337

Kit Components:

Item #	Qty.	Description
1	1	Bumper
2	1	Passenger Side Bracket
3	1	Driver Side Bracket
4	2	Tabs
5	4	Tube Cap
6	4	3/8"-16 x 2-1/2" Carriage Bolt
7	6	3/8"-16 x 3/4" Carriage Bolt
8	12	3/8"-16 Hex Flanged Nylock Nut

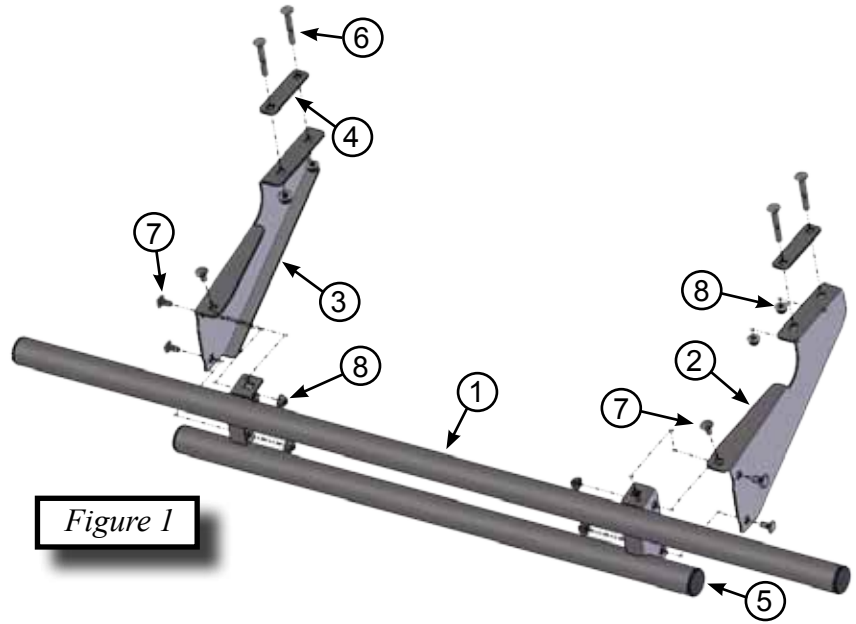


Figure 1

INSTALLATION INSTRUCTIONS:

Note: Make sure all of the hardware needed to complete this mount is in the package. Read through and understand the instructions before installing.

1. Drill a 3/8" hole up through the plastic bed using the holes in the frame as a guide. Shown in Figures 2 & 3.
2. Place the two tabs (4) over the holes that were drilled through the bed. Place two bolts (6) into the holes in each of the tabs. Shown in Figure 4.



Figure 2

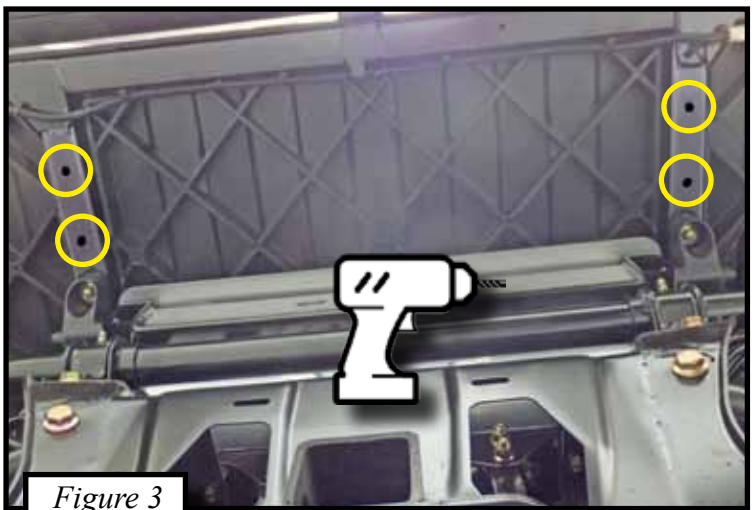
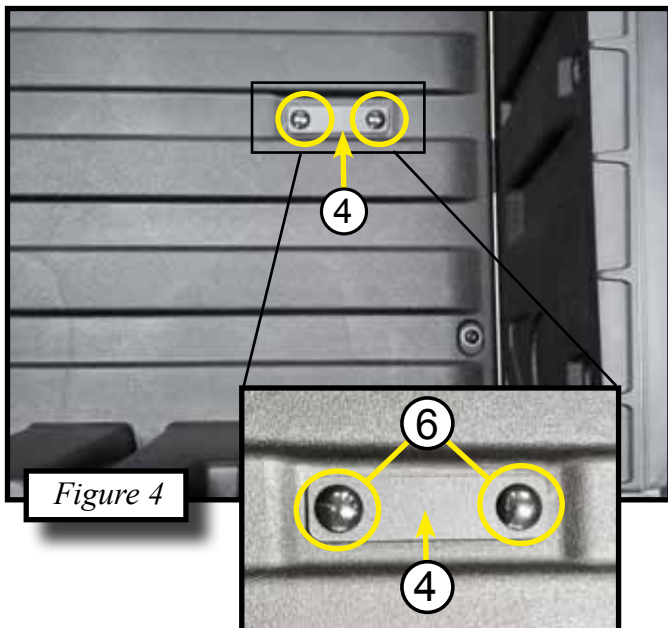


Figure 3

3. Line the driver side bracket (3) to the bolts hanging down through the bed. Attach two flange nuts (8) to the bolts and secure the left bracket up tight. Do the same to the passenger side bracket. Shown in Figure 5.

4. Once the two brackets are in place, hold the bumper up in between the two brackets. Attach the bumper to the brackets using the six carriage bolts (7) and flange nuts (8). Do not tighten until all of the bolts are attached. Start with the four side bolts then move to top. Shown in Figures 6 & 7.

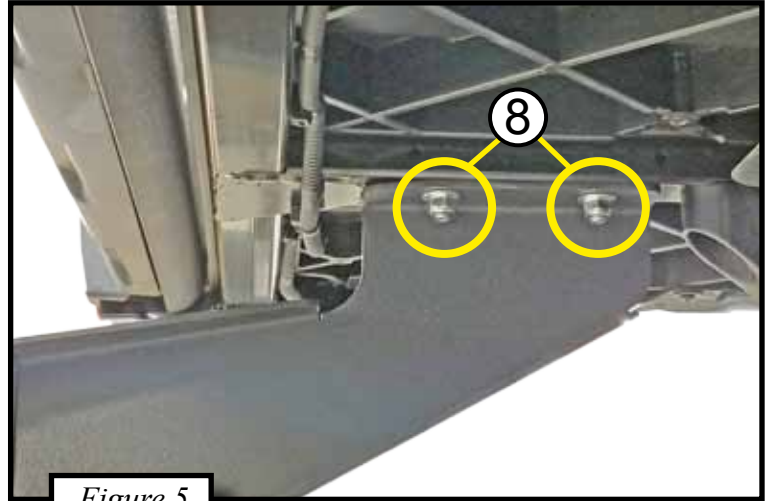


Figure 5

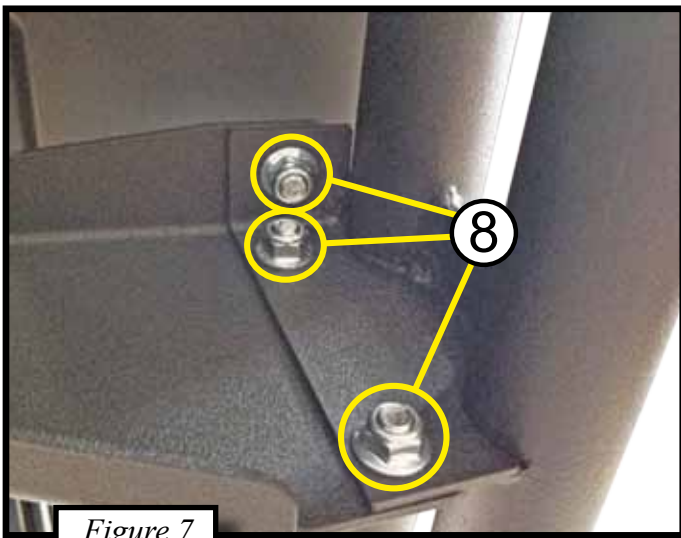


Figure 7

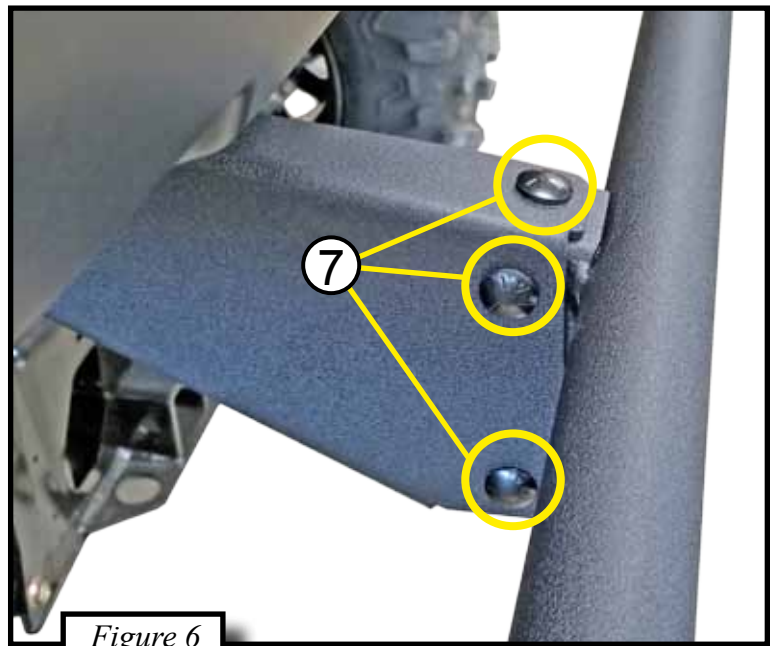


Figure 6

