

# POLARIS RZR/GENERAL WIDE FAIRLEAD

FAIRLEAD

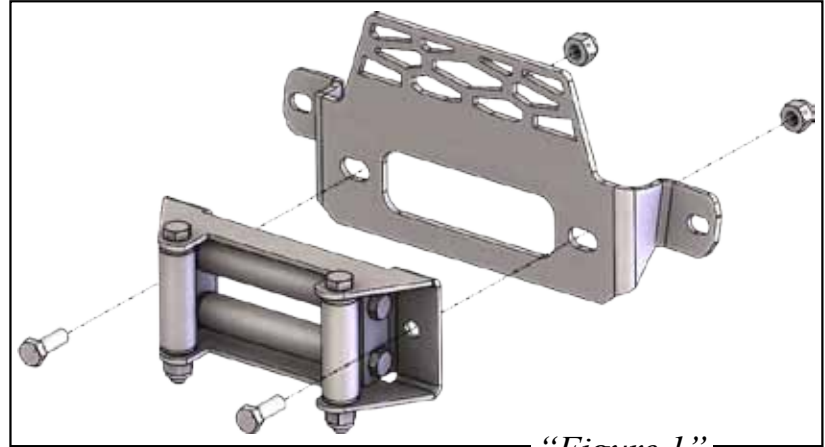
PART # 101375

## Kit Components:

Qty.	Part Description
1.....	WIDE Fairlead Bracket

## INSTALLATION INSTRUCTIONS:

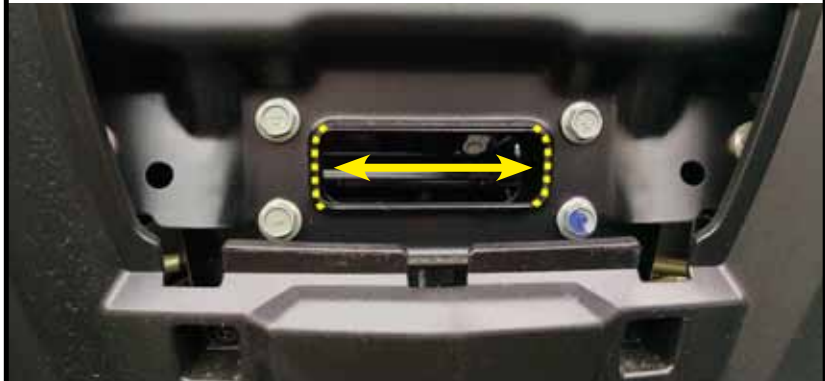
1. **WARNING:** Before you begin read and understand the Warning note below.
2. Install your roller fairlead or hawse to the fairlead plate. Shown in Figure 1. Use the hardware provided with your winch. GENERAL 1000: Install fairlead plate first, then the roller fairlead to the plate.
3. Install the fairlead assembly by removing the nuts (A) and washers from the upper A-arms. Do not remove the A-arm bolts. Place the fairlead assembly over the bolts and replace the nuts. Shown in Figure 2.
4. Tighten all hardware.



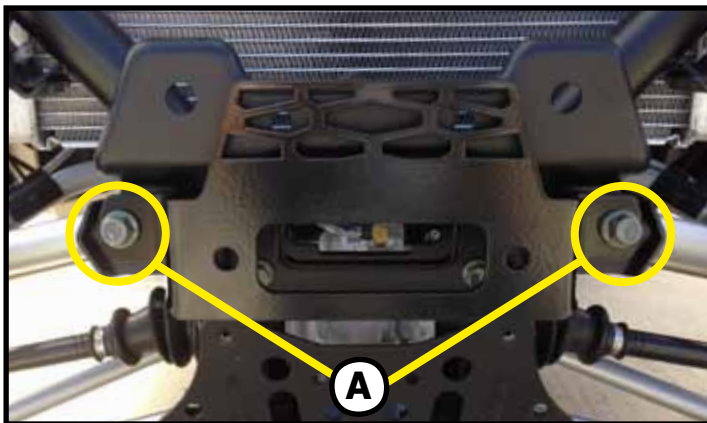
“Figure 1”



## WARNING



Your machine is designed for a standard winch. However it does allow you to mount a WIDE winch. KFI does not recommend mounting a WIDE winch due to the fact that the spool on your winch is wider than the opening on the RZR/GENERAL. Shown in the image above. Kappers Fabricating Inc. disclaims any obligation to cover any worn or damaged material.



“Figure 2”

