

HONDA REAR 2" RECEIVER

RECEIVER

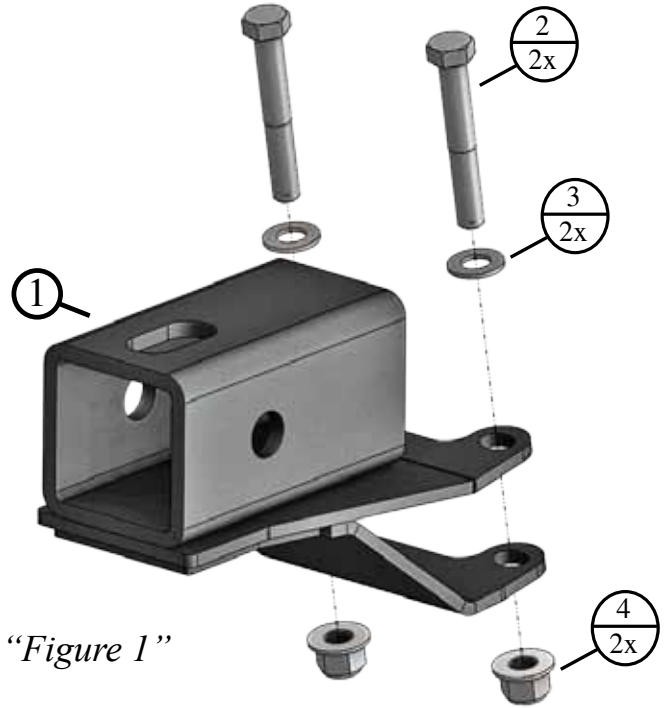
PART # 101465

Hardware Kit: HK-030

Kit Components:

Qty. Part Description

Item #	Qty.	Description
1	1	Receiver Mount
2	2	M10-1.5mm x 65mm Bolt
3	2	M10 Flat Washer
4	2	M10-1.5mm Nylock Nut

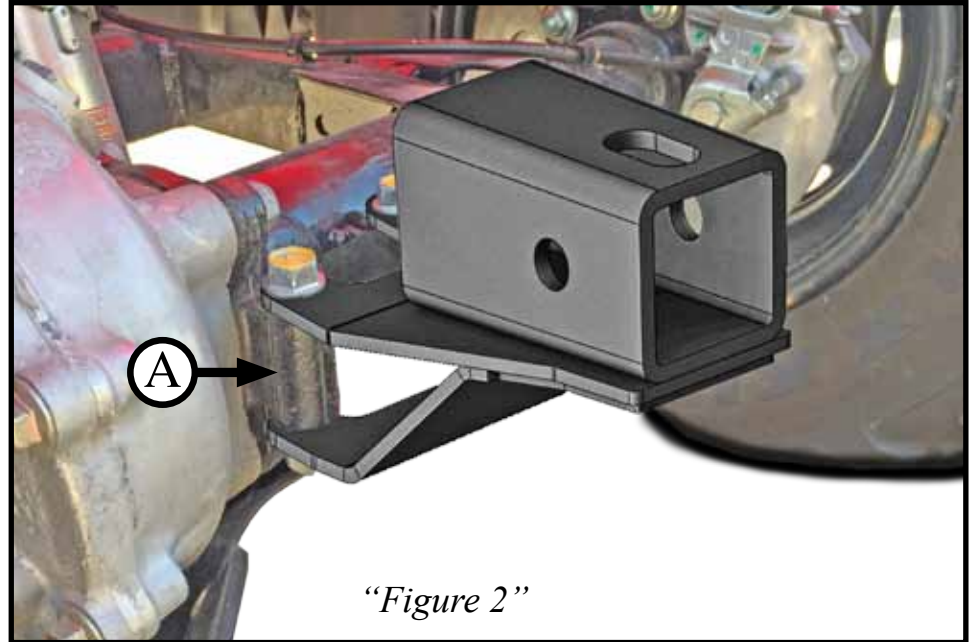


“Figure 1”

INSTALLATION INSTRUCTIONS:

Note: Make sure all of the hardware needed to complete this mount is in the package. Read through and understand the instructions before installing.

1. Place receiver over mounting holes on rear axle (A). Install using hardware provided with kit as shown in Figures 1 & 2.
2. Tighten down all hardware.



“Figure 2”

