

# CAN-AM DEFENDER REAR BUMPER

## Bumper Part# 101610

### Kit Components:

Item #	Qty.	Description
1	1	Bumper
2	1	Driver Side Bracket
3	1	Passenger Side Bracket
4	2	Tabs
5	4	Bumper Tube Cap
6	1	HK-337
6.1	4	5/16"-18 x 2.50 Carriage Bolt Zinc GR5
6.2	6	5/16"-18 x .75 Carriage Bolt BLK GR5
6.3	10	5/16"-18 Hex Flange Nylock Nut

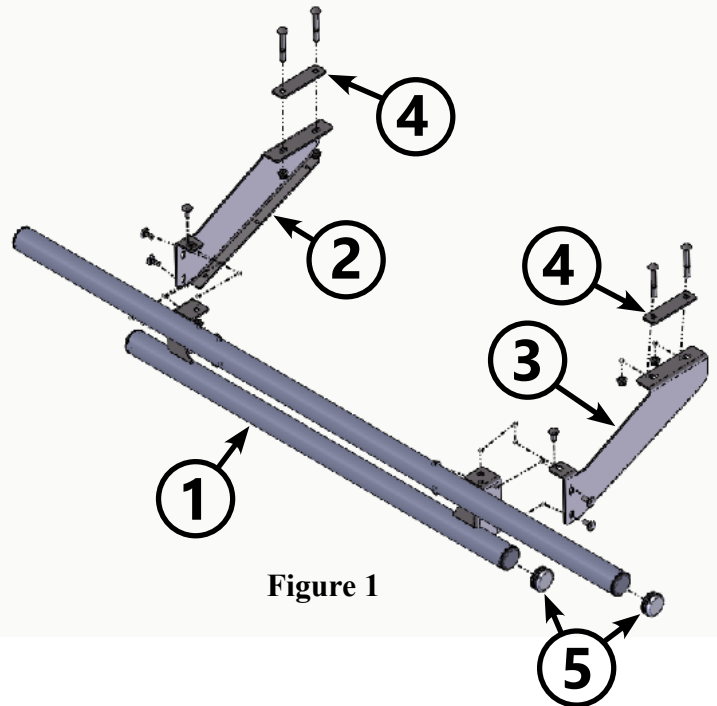


Figure 1

### INSTALLATION INSTRUCTIONS:

*Note: Make sure all of the hardware needed to complete this mount is in the package. Read through and understand the instructions before installing.*

1. Assemble bumper tube caps (5) to bumper (1) as shown in **Figure 1**.
2. Drill a 3/8" hole up through the plastic bed using the holes in the bed frame tube as a guide as shown in **Figure 2**.
3. Place the two tabs (4) over the holes that were drilled through the bed. Place two 5/16" bolts (6.1) into the holes in each of the tabs as shown in **Figure 3**.

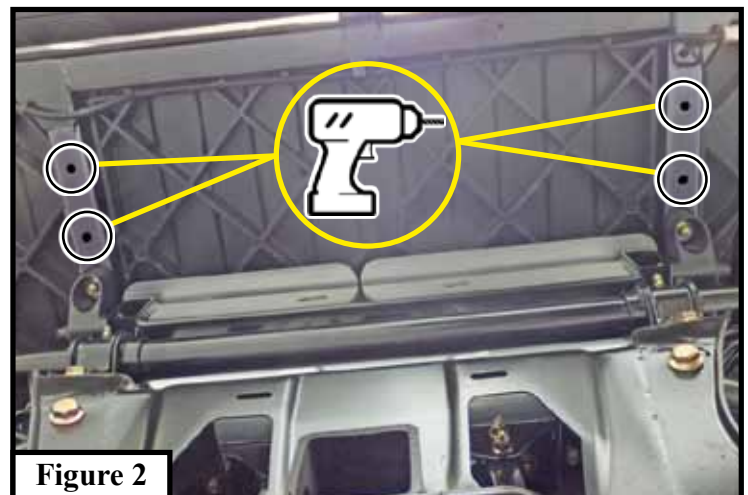


Figure 2

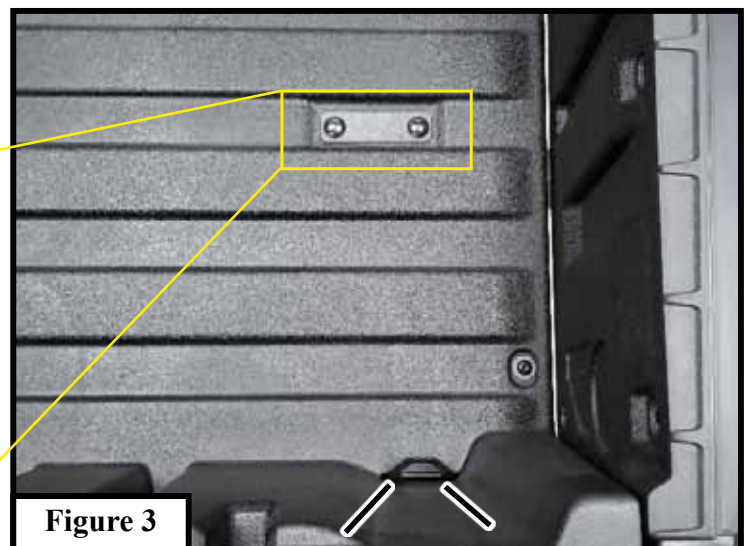
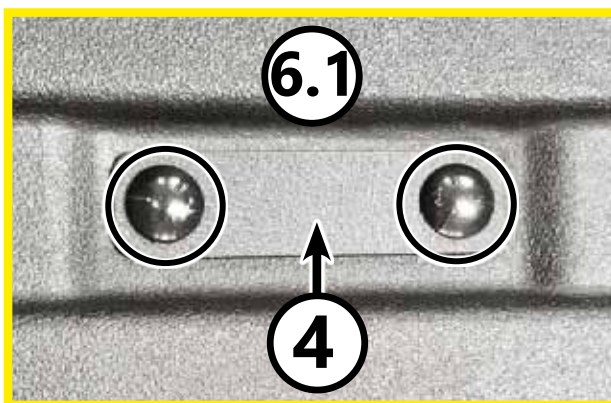
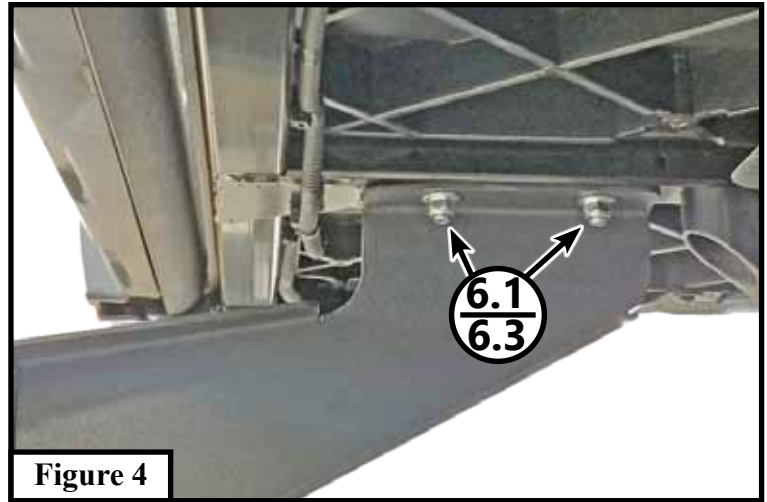
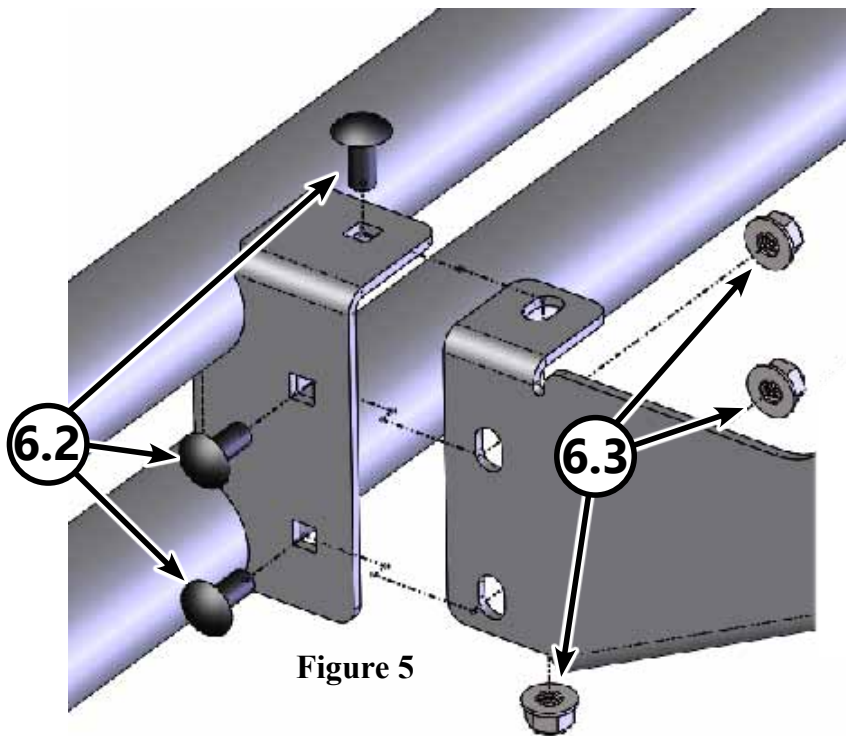


Figure 3

4. Line the driver side bracket (3) to the bolts hanging down through the bed frame tube. Attach two 5/16" flange nuts (6.3) to the bolts (6.1) and tighten driver side bracket down as shown in **Figure 4**. Repeat step 4 for passenger side.
  
5. Once bumper brackets are installed, fasten bumper (1) to bumper brackets (2 & 3) using 6x 5/16" Carriage Bolts (6.2) and 5/16" Hex Nuts (6.3) as shown in **Figure 5**.



**Figure 4**



**Figure 5**



**Figure 6**