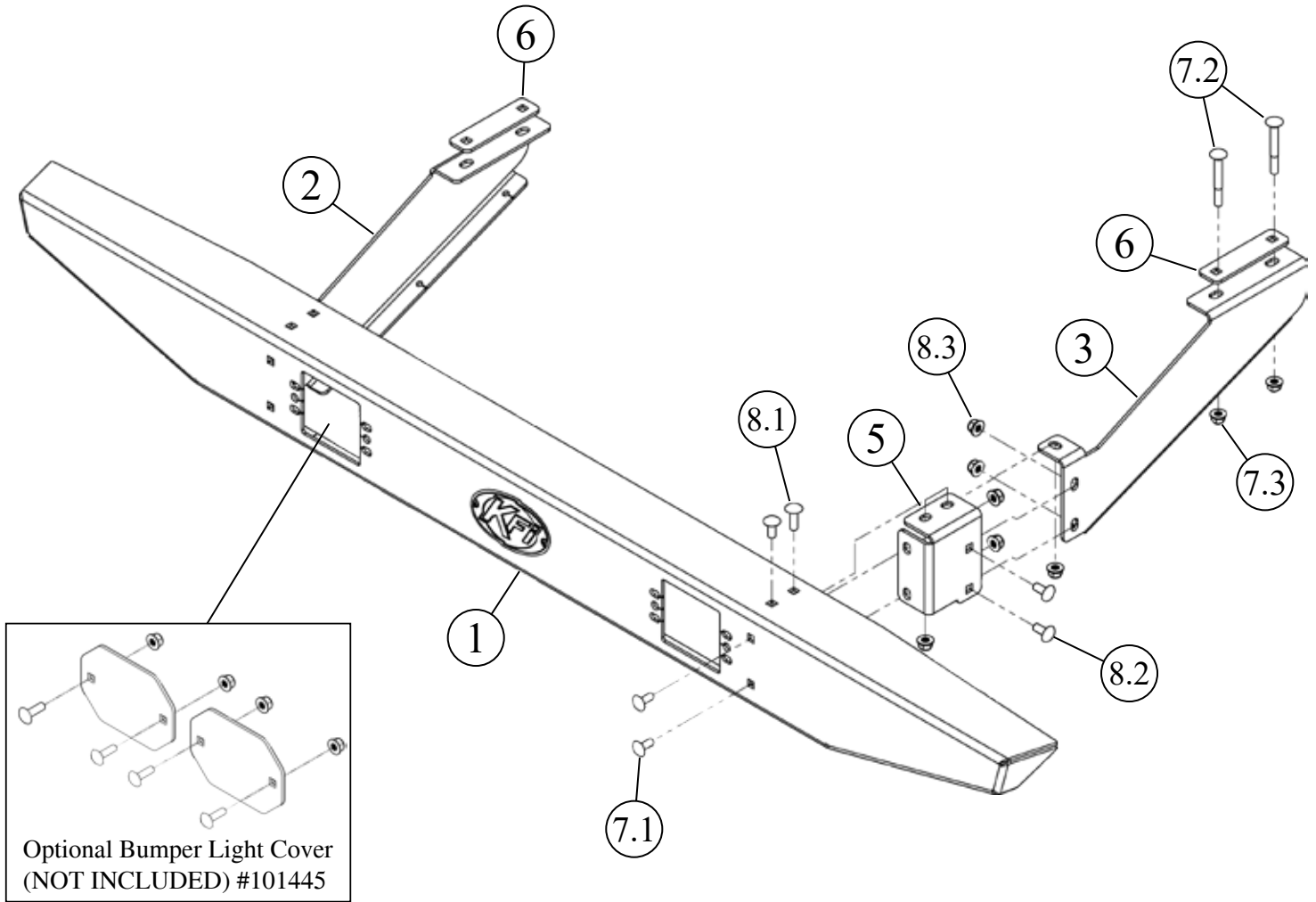


CAN-AM DEFENDER

Rear Bumper

Part# 101615



Kit Components:		
Item #	Qty.	Description
1	1	Bumper
2	1	Driver Side Bumper Bracket
3	1	Passenger Side Bumper Bracket
4	1	Driver Side Conversion Bracket (not shown)
5	1	Passenger Side Conversion Bracket
6	2	Bumper Bracket Plate
7	1	Hardware Kit (HK-337)

Kit Components:		
Item #	Qty.	Description
7.1	6	5/16"-18 x .75 Carriage Bolt (Black)
7.2	4	5/16"-18 x 2.50 Carriage Bolt
7.3	10	5/16"-18 Hex Flange Nylock Nut
8	1	Hardware Kit (HK-342)
8.1	2	5/16"-18 x 1.00 Carriage Bolt (Black)
8.2	4	5/16"-18 x .75 Carriage Bolt
8.3	6	5/16"-18 Hex Flange Nylock Nut



INSTALLATION INSTRUCTIONS

Note: Make sure all hardware needed to complete this mount is in the package. Thoroughly read through and understand the instructions before installing.

Note: If installing lights in the bumper, cutout will accept most flush 3" cube lights. See kfiproducts.com for more details.

1. Drill a 3/8" hole up through the plastic bed using the holes in the bed frame tube as a guide as shown in **Figure 1**.
2. Place bumper bracket plate (6) over the holes that were drilled through the bed. Place two bolts (7.2) into the holes in each of the tabs as shown in **Figure 2**.
3. Set bumper bracket (2) in place on the bed frame as shown in **Figure 3** and secure using bolts (7.2) and nuts (7.3). Repeat step 3 for passenger side.
4. Place conversion bracket (4 & 5) inside of bumper (1) and secure using bolts (7.1) and nuts (7.3) as shown in **Figure 4**.
5. Set bumper assembly onto bumper brackets (2 & 3) and secure using bolts (8.1 & 8.2) and nuts (8.3) as shown in **Figure 4**.
6. Tighten all hardware evenly.

