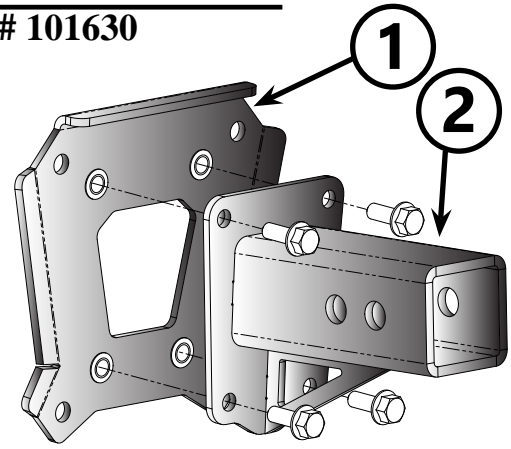


# POLARIS RZR 1000

Rear Receiver PART # 101630

## Kit Components:

Item #	Qty.	Description
1	1	KFI Linkage Plate
2	1	Receiver Plate
3	1	HK-011
3.1	4	3/8"-16 Flange Bolt
3.2	4	3/8"-16 Nylock Nut (Not Used)
3.3	4	3/8" SAE Flat Washer (Not Used)
3.4	1	3/8"-16 x 1 1/4" Flat Head Screw (Not Used)

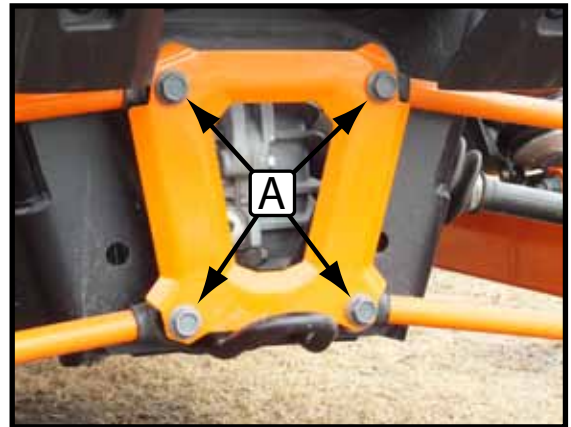


"Figure 1"

## INSTALLATION INSTRUCTIONS:

**NOTE:** For use on machines with 12mm trailing arm bolts

1. Find a jack to raise the rear end of the machine and take the pressure off the trailing arm linkages.
2. Remove nuts and bolts (A) on rear plate as shown in Figure 2. Plate will come off. Keep all hardware as it will be reused.
3. Turn the bolts around and reinstall them as shown in Figure 3.
4. Place KFI linkage plate over bolts and linkages, reinstall using nuts removed in Step 2 as shown in Figure 4. Tighten bolts and nuts to 33 ft. lbs. (45Nm).
5. Install the receiver plate using the 3/8" Flange Bolts supplied in the hardware kit as shown in Figures 1&5.
6. Tighten all bolts.



"Figure 2" Rear Plate



"Figure 3" Rotating Bolts



"Figure 4" Plate Install



"Figure 5" Receiver Install

