

WILDCAT XX

REAR RECEIVER HITCH

Receiver Mount

PART # 101635

Hardware Kit: HK-350

Kit Components:

Item #	Qty.	Description
1	1	RECEIVER MOUNT
2	4	M10-1.25 X 30 HEX FLANGE BOLT

INSTALLATION INSTRUCTIONS:

Note: Make sure all of the hardware needed to complete this mount is in the package. Read through and understand the instructions before installing.

1. Hold receiver mount in place and install the four M10 x 30mm Hex Flange Bolts (A) Shown in Figure 1

Note: If there is a factory rear bumper installed remove the bolts in locations (A & B) Figures 1 & 2. Hold rear bumper and rear receiver in place Figures 1 & 2. This step may require assistance. Reuse factory hardware in location (B). The lower hardware in location (A) will be replaced with four M10 x 30mm Hex Flange Bolts from hardware kit.

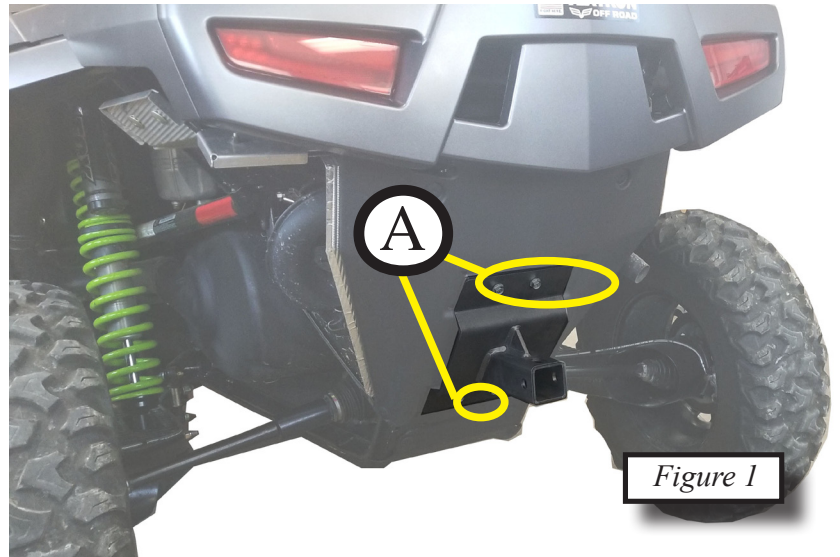
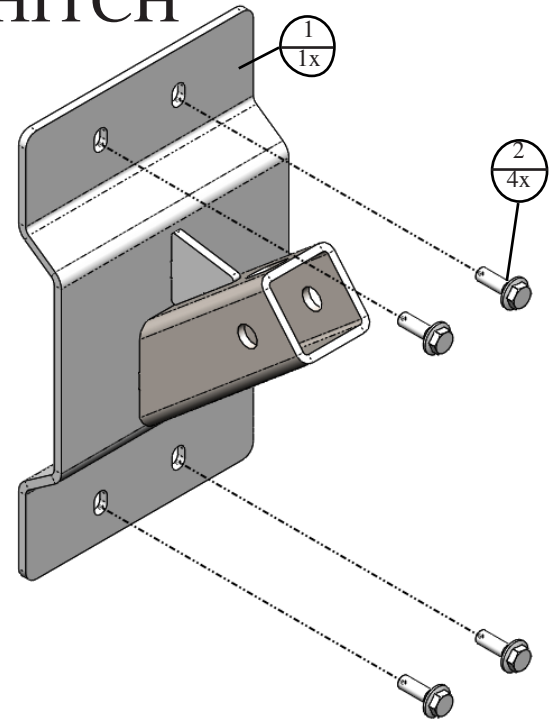


Figure 1

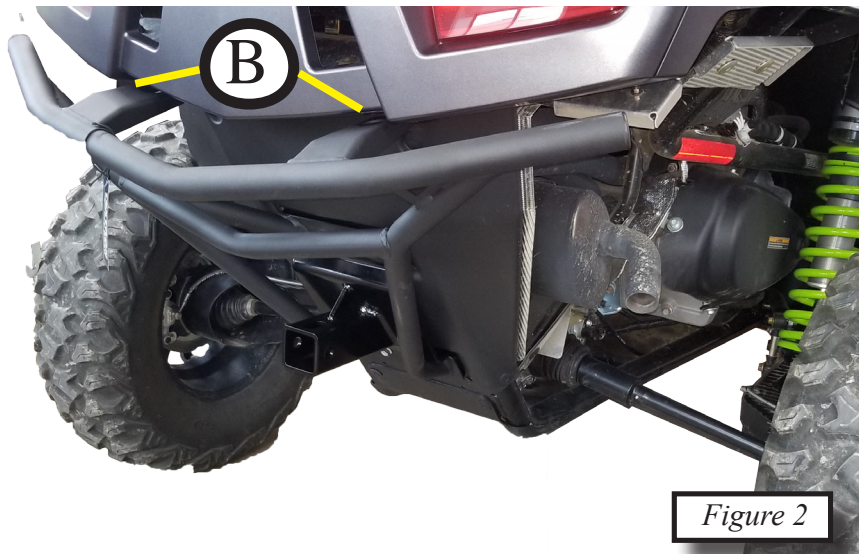


Figure 2