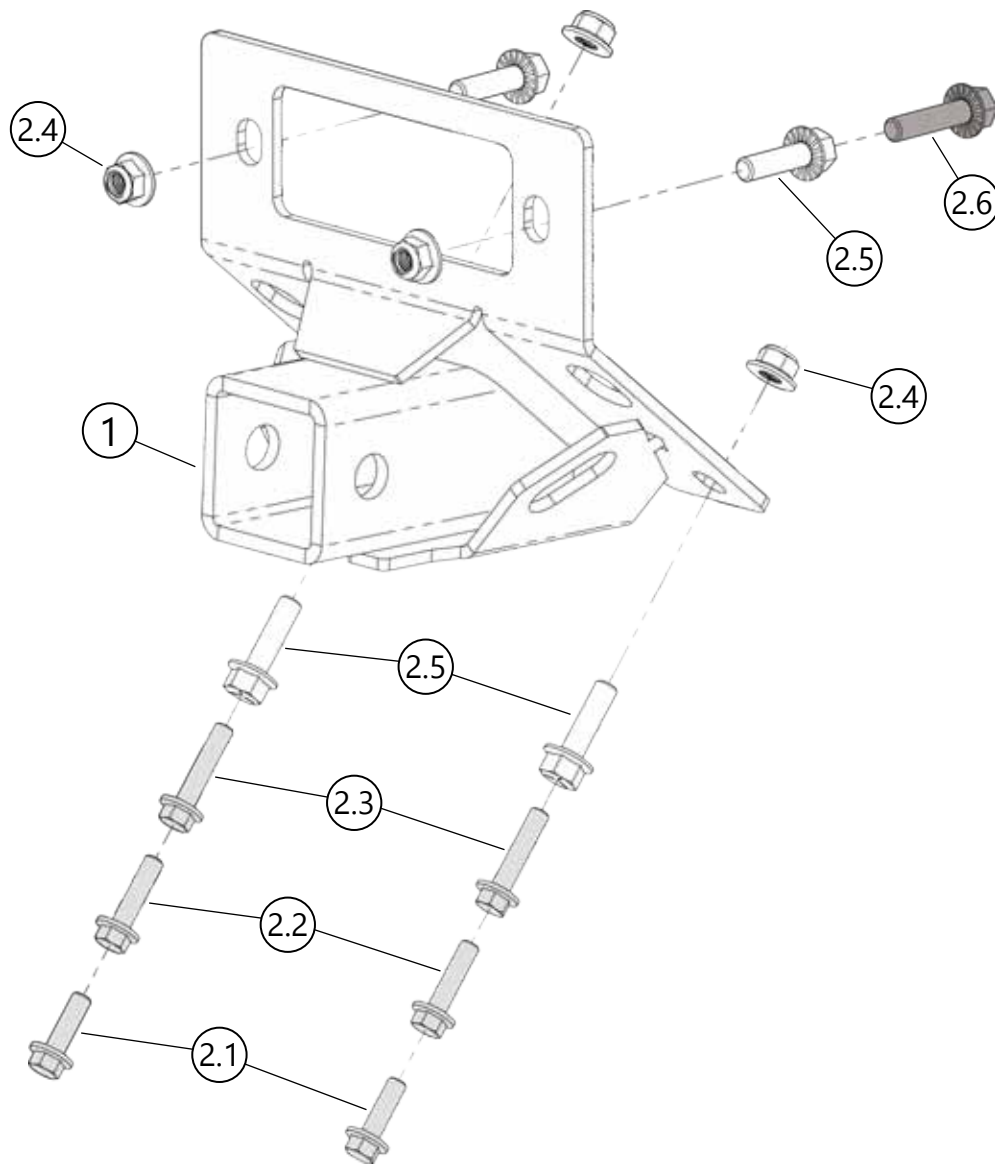


# CAN-AM DEFENDER LOWER RECEIVER

Front Receiver

PART #101720



Item #	Qty.	Description
1	1	Lower Receiver
2	1	Hardware Kit (HK-390)
2.1	2	HBF-88Z-M8-125-025
2.2	2	HBF-88Z-M8-125-030

Item #	Qty.	Description
2.3	2	HBF-88Z-M8-125-035
2.4	4	HNFN-5Z-038-16
2.5	4	HBF-5Z-038-16-125
2.6	1	HBF-5Z-038-16-150

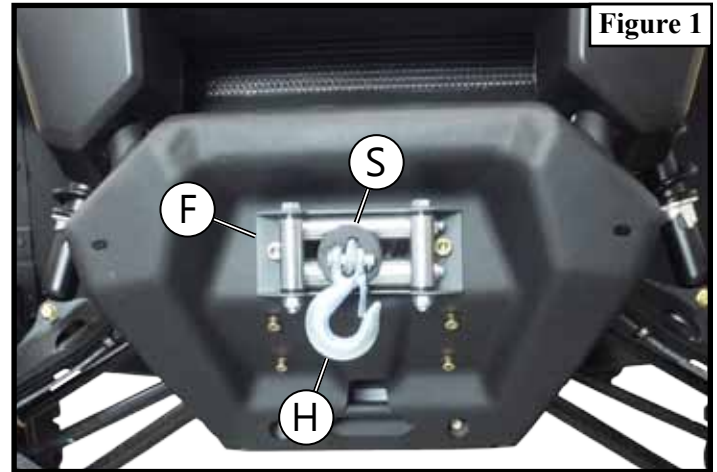


# INSTALLATION INSTRUCTIONS

**Note:** Make sure all hardware needed to complete this mount is in the package. Thoroughly read through and understand the instructions before installing.

- If installing at OEM winch mount location with a winch, go to **Page 2**.
- If installing with KFI winch mount or no winch, go to **Page 3**.

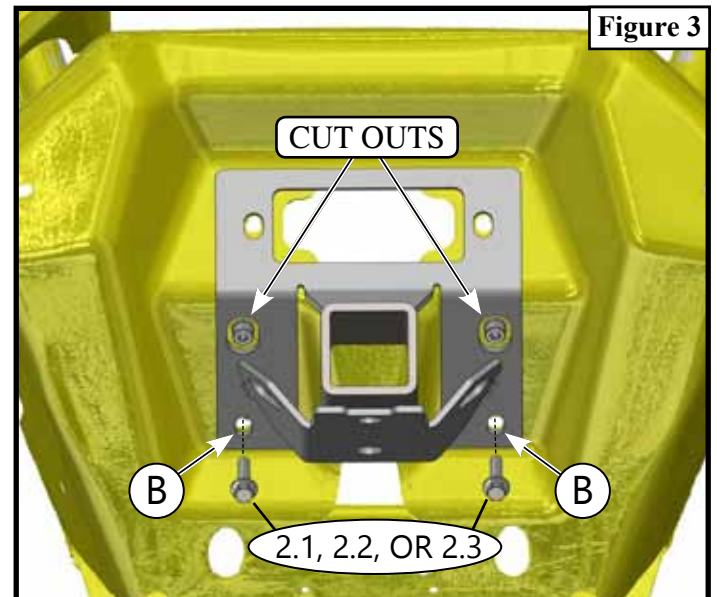
1. Remove the hook (H) and hook stopper (S) from the winch cable. Remove fairlead (F) by removing the two bolts and nuts that hold it to the bumper. See **Figures 1 & 2**. Discard fairlead bolts.



2. Remove 2 bottom bolts (A) from winch like shown in **Figure 2**. Discard bolts as they are not used when installing receiver.

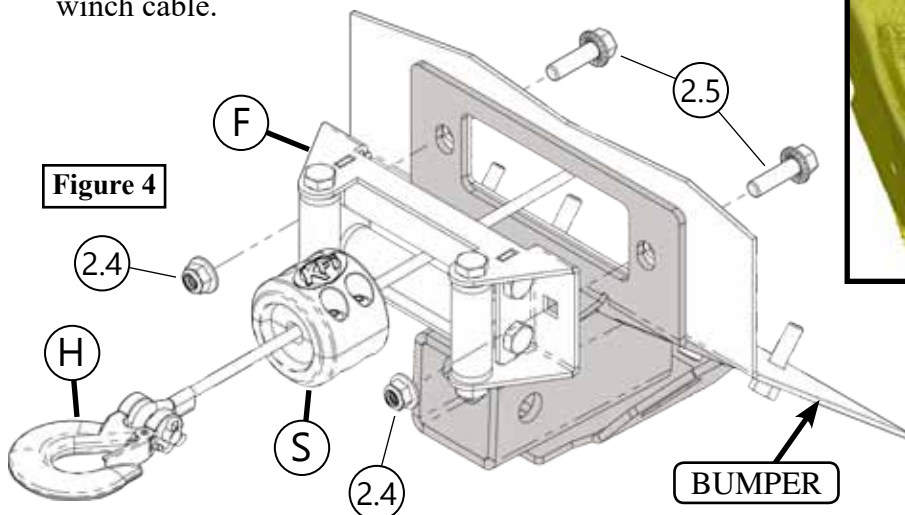


3. Place receiver (1) up against bumper. The two **cut outs** in the plate will fit around the top winch bolts like shown in **Figure 3**. Install the bottom bolts (2.1, 2.2, or 2.3) by going through receiver, bumper, and then into the winch. Tighten hardware evenly. *Note: Three different length bolts are included in the kit for the bottom holes (B). The bolt length used may differ depending on what winch is installed. For OEM winch, use bolts 2.3.*



4. Run the winch cable through the opening on the bumper, receiver, and fairlead. Install bolts (2.5) through bumper, receiver, and fairlead while using nuts (2.4) on the front like shown in **Figure 4**. Tighten all hardware evenly.

5. Reinstall hook stopper (S) and hook (H) back onto winch cable.



# INSTALLATION INSTRUCTIONS

**Note:** For installing with a KFI winch mount or no winch, go onto **Step 1**.

1. If KFI winch mount is already installed, remove the **hook** and **hook stopper** from the winch cable. Remove the **fairlead** by removing bolts and nuts at Location **B**. Depending on the winch installed, it may need to be unbolted from the winch mount to allow for more room to work. Remove bottom winch mount bolts and nuts at location **C**. See **Figure 5**.

*Note: Older revisions of KFI winch mount require bolts at location **D** for securing the mount. Leave these installed. The receiver has cut outs to allow it to fit over these bolts.*

2. Install lower bolts (2.5) through receiver, bumper, KFI winch mount, and secure with nuts (2.4). Do not tighten hardware yet. See **Figures 6, 7, & 8**.
3. WIDE WINCH: Install upper bolts (2.5) from the backside. Go through winch mount, bumper, receiver, fairlead, and secure with nuts (2.4). See **Figure 7**.
4. STANDARD WINCH: Install upper bolts (2.5 and 2.6) from the backside. Go through winch mount, bumper, receiver, fairlead adapter, fairlead, and secure with nuts (2.4). See **Figure 8**.
5. NO WINCH: Install bolts (2.5) from the backside. Go through bumper and receiver, then secure with nuts (2.4). Install lower bolts as shown in **Figure 9**.
6. Tighten all hardware evenly. Reinstall hook stopper and hook onto winch cable.

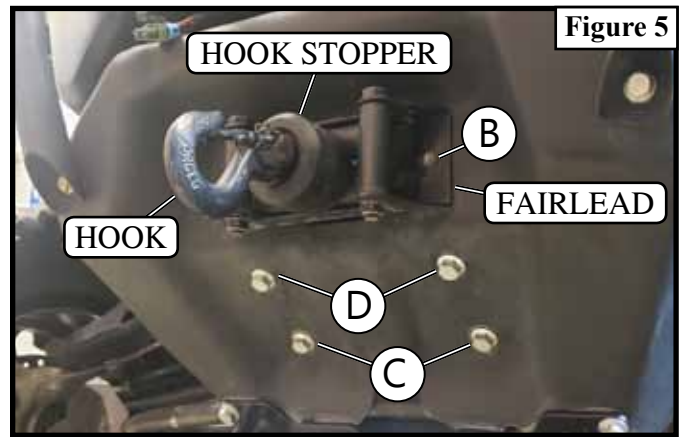


Figure 5

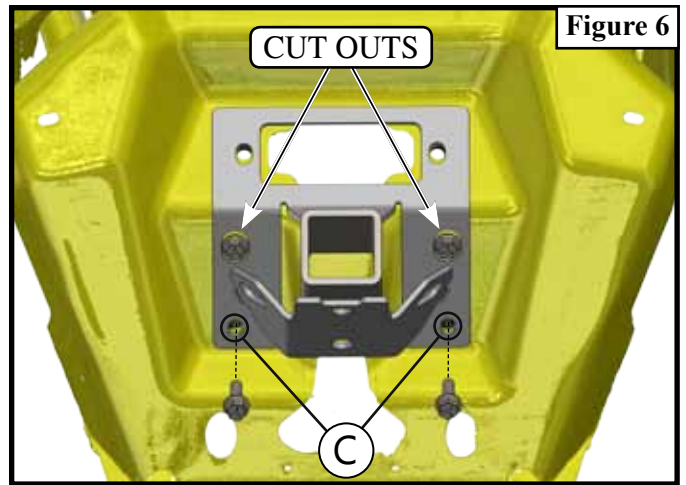


Figure 6

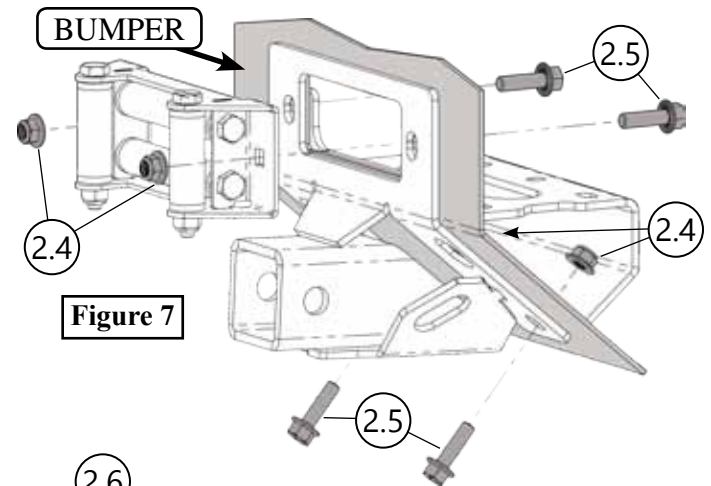


Figure 7

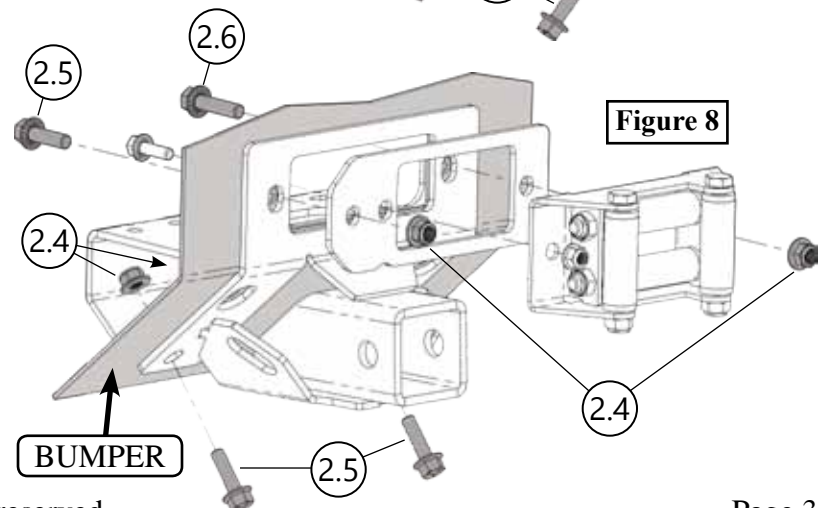


Figure 8

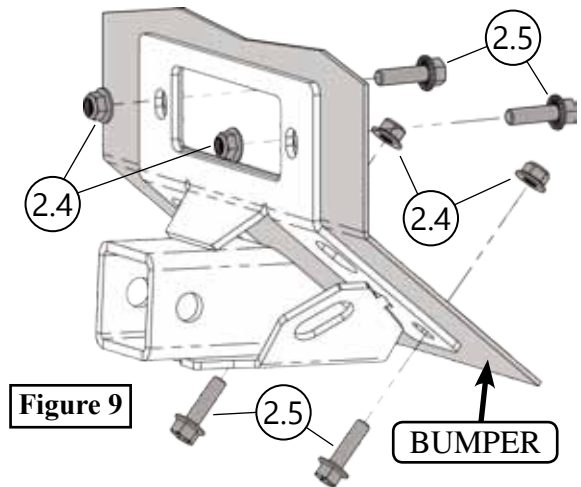


Figure 9