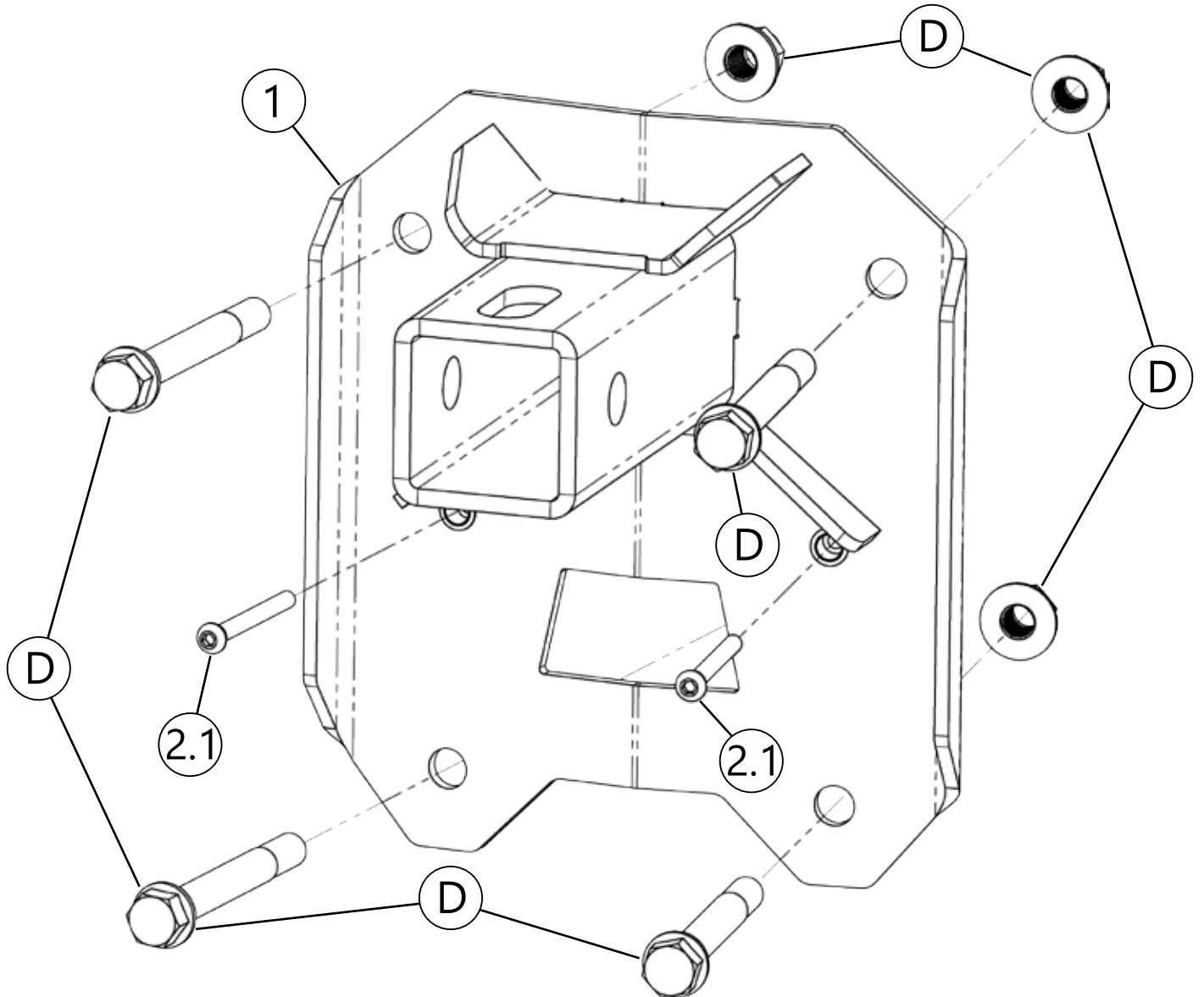


POLARIS RZR PRO XP

Rear Receiver

PART #101795

Kit Components:		
Item #	Qty.	Description
1	1	Rear Receiver
2	1	HK-371
2.1	2	M6-1.0 x 60 Button Head Cap Screw (Black)



INSTALLATION INSTRUCTIONS

Note: Make sure all hardware needed to complete this mount is in the package. Thoroughly read through and understand the instructions before installing.

1. Remove OEM bolts (A, B, and C) to remove rear plastic cover from the machine as shown in **Figure 1**. Set rear plastic cover and bolts aside as they will be reinstalled in a later step.

Note: Bolts (C) will not be reused.

2. Using a floor jack, lift the back of the machine up to take the pressure off of the rear trailing arm linkages.

3. Remove OEM nuts and bolts (D) and rear differential plate E as shown in **Figure 2**.

Note: Set bolts (D) aside as they will be reused in a later step. Differential plate (E) can be discarded.

4. Set Rear Receiver (1) in place and secure using OEM nuts and bolts (D) as shown in **Figure 3**.

5. Tighten all hardware evenly.

6. Set rear plastic cover in place and secure using OEM bolts (A and B) removed in step 1. Using bolts (2.1), secure the bottom of rear plastic cover to rear receiver (1) as shown in **Figure 4**.

7. Tighten all hardware evenly.

