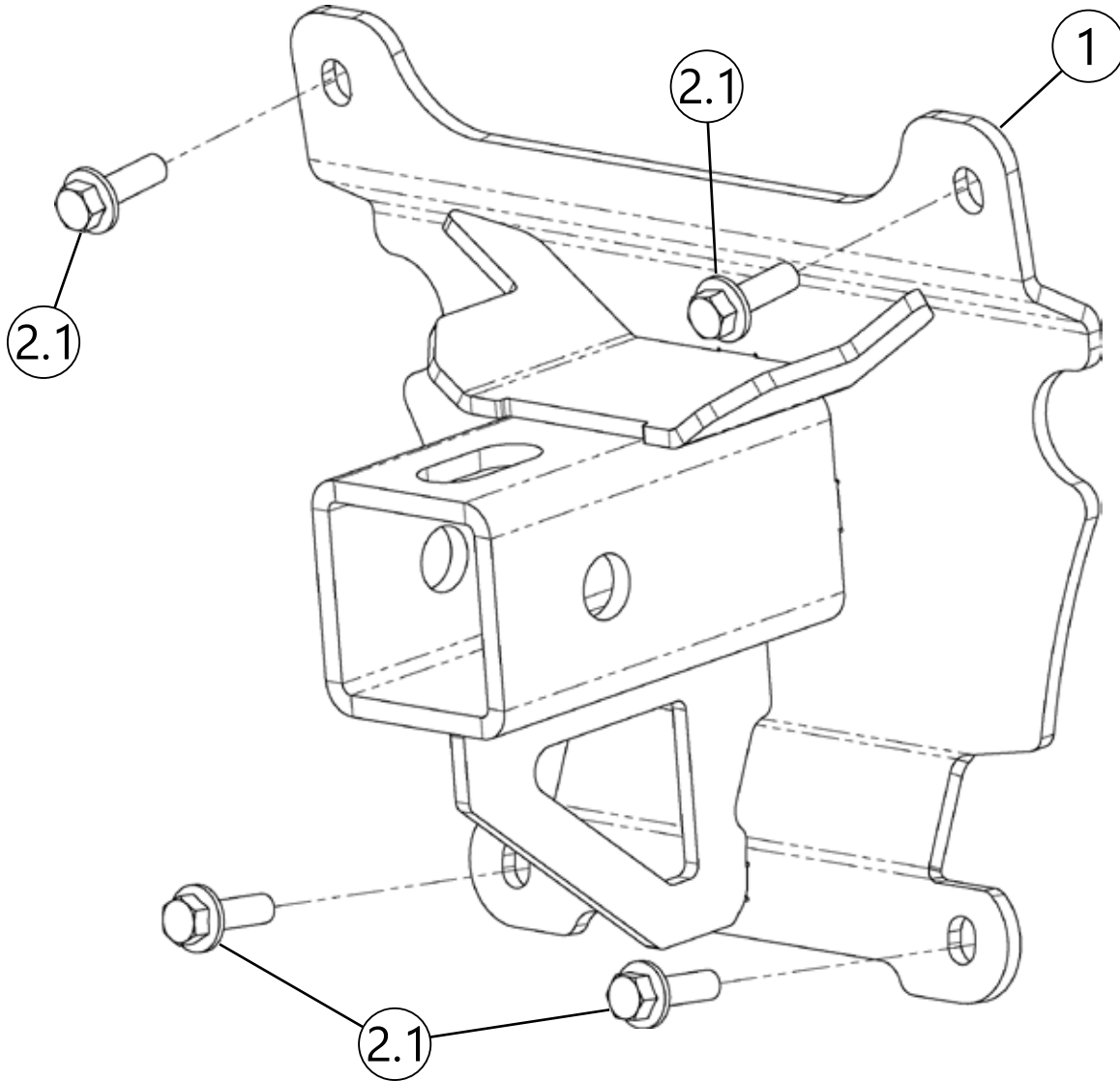


POLARIS SCRAMBLER

Rear Receiver

PART #101815

Kit Components:		
Item #	Qty.	Description
1	1	Rear Receiver
2	1	HK-374
2.1	4	M8-1.25 x 25 Hex Flange Bolt



INSTALLATION INSTRUCTIONS

Note: Make sure all hardware needed to complete this mount is in the package. Thoroughly read through and understand the instructions before installing.

Note: If using receiver for a direct OEM Sportsman XP 1000 S replacement, removal of the rear bumper will be required before following the below installation instructions.

1. Set rear receiver (1) in place and secure to rear differential plate using the four supplied bolts (2.1) as shown in **Figure 1**.

Note: If using receiver for a direct OEM Sportsman XP 1000 S replacement, reinstall rear bumper to OEM location using the OEM bolts.

2. Tighten all hardware evenly.

