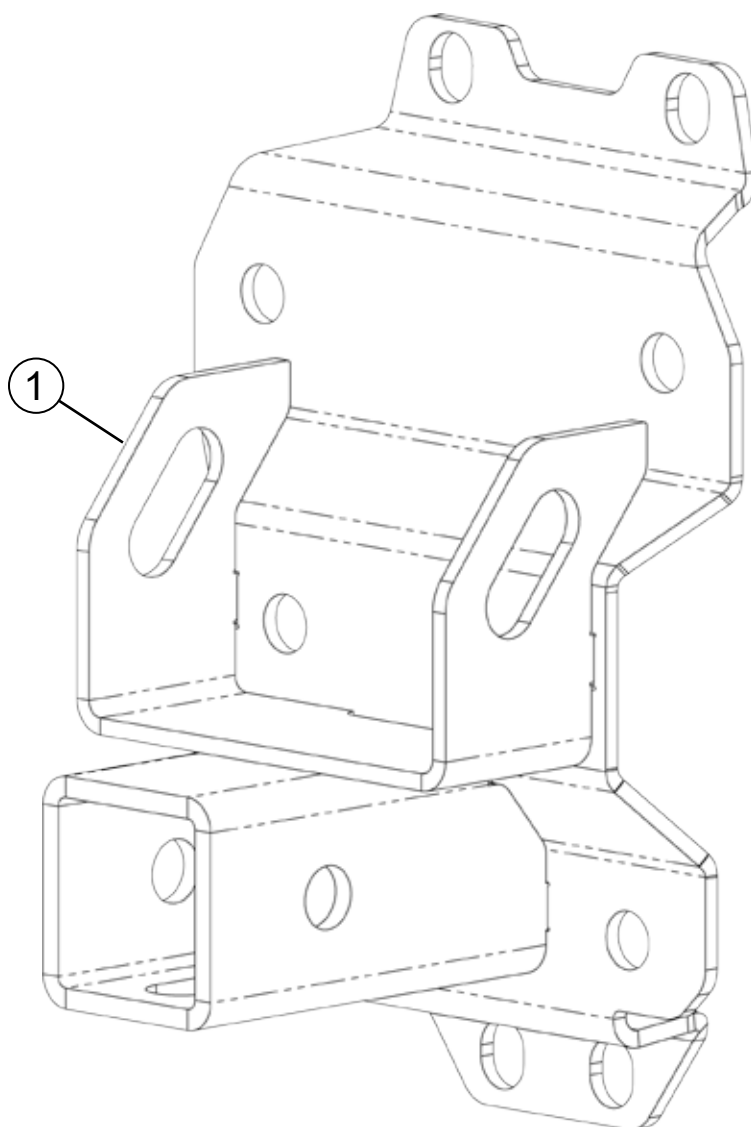


CAN-AM MAVERICK X3

Rear Receiver

PART #101995

Kit Components:		
Item #	Qty.	Description
1	1	Rear Receiver



INSTALLATION INSTRUCTIONS

Note: Thoroughly read through and understand the instructions before installing.

1. Using a floor jack, raise rear of the machine relieving pressure off of rear control arms.
2. Remove OEM nuts (A) securing rear control arm connecting pate (B) to the machine. NOTE: Set OEM nuts (A) aside as they will be reused. Connecting plate (B) can be discarded.
3. Set rear receiver (1) in place over rear control arm bolts and secure using OEM nuts (A).
4. Tighten hardware evenly.

