

POLARIS MIDSIZE RANGER

Rear Double Tube Bumper

PART #102000

Kit Components:		
Item #	Qty.	Description
1	1	Rear Bumper
2	1	Bumper Bracket (driver side)
3	1	Bumper Bracket (passenger side)
4	4	Bumper Tube Cap
5	1	Hardware Kit (HK-412)
5.1	2	5/16"-18 x 1.75 Hex Flange Bolt
5.2	4	5/16"-18 x .75 Carriage Bolt
5.3	6	5/16"-18 x .75 Carriage Bolt (black)
5.4	12	5/16"-18 Hex Flange Nylock Nut

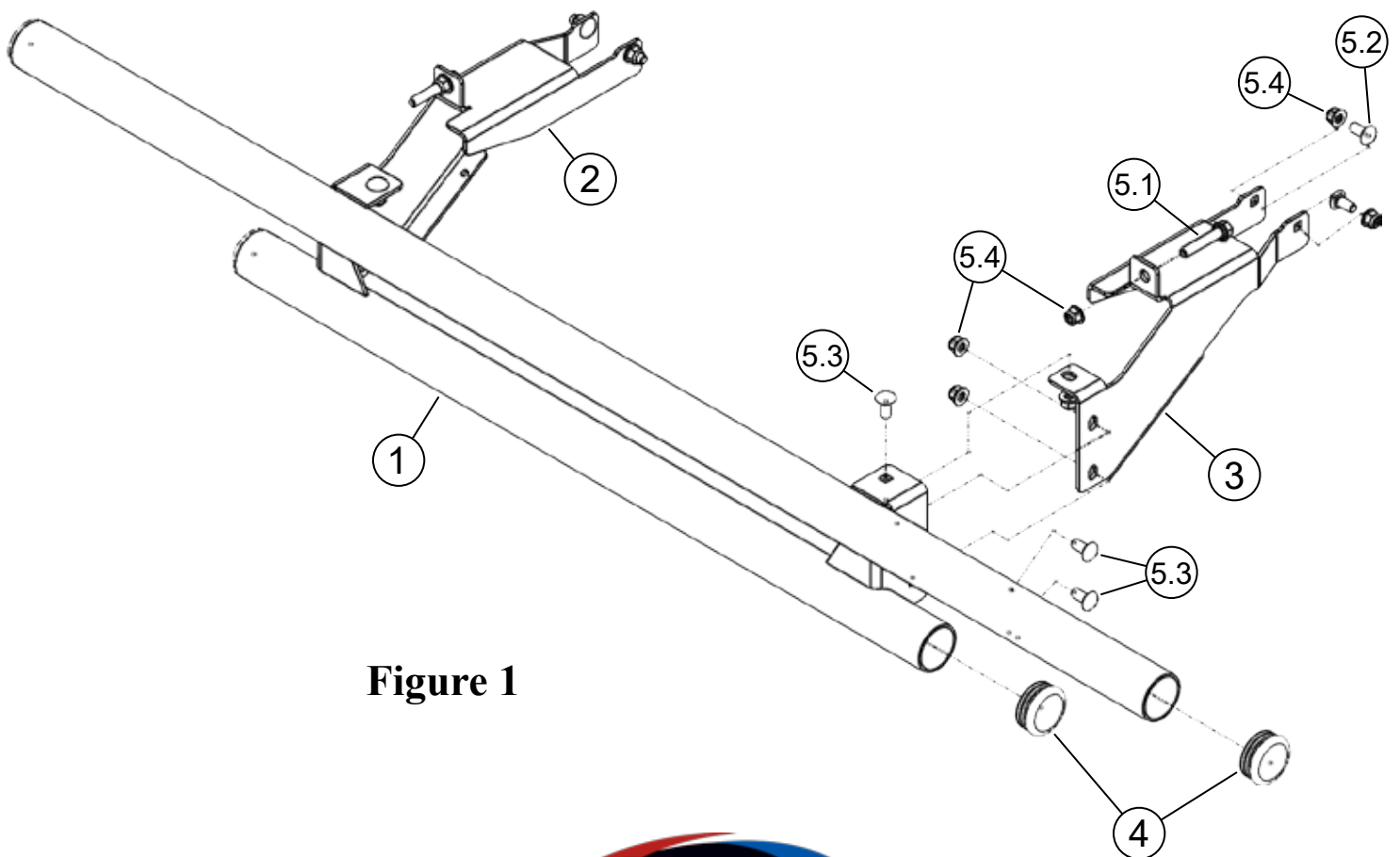


Figure 1



INSTALLATION INSTRUCTIONS

Note: Make sure all hardware needed to complete this mount is in the package. Thoroughly read through and understand the instructions before installing.

1. Assemble bumper tube caps (4) as shown in **Figure 1**.
2. Remove plastic wire clip (A) on drivers side bed frame hinge shown in **Figure 2**.
3. Using an 11/32" drill bit, drill holes (B) on both driver and passenger side bed frame hinges shown in **Figure 2**.
4. Set bumper brackets (2 & 3) inside of the bed frame hinges and fasten to the hinge using bolts (5.2) and nuts (5.4) as shown in **Figure 4**.
5. Swing brackets (2&3) into position and install to bed frame using bolts (5.1) and nuts (5.3) as shown in **Figure 4**. **NOTE:** It may be easier to remove tailgate before installing bolts.
6. Secure wire clip (A) with a ziptie, in a new location, to prevent damage to the wire.
7. Set rear bumper (1) onto bumper brackets (2 & 3) and secure using bolts (5.3) and nuts (5.4) as shown in **Figure 5**.
8. Tighten all hardware evenly.

