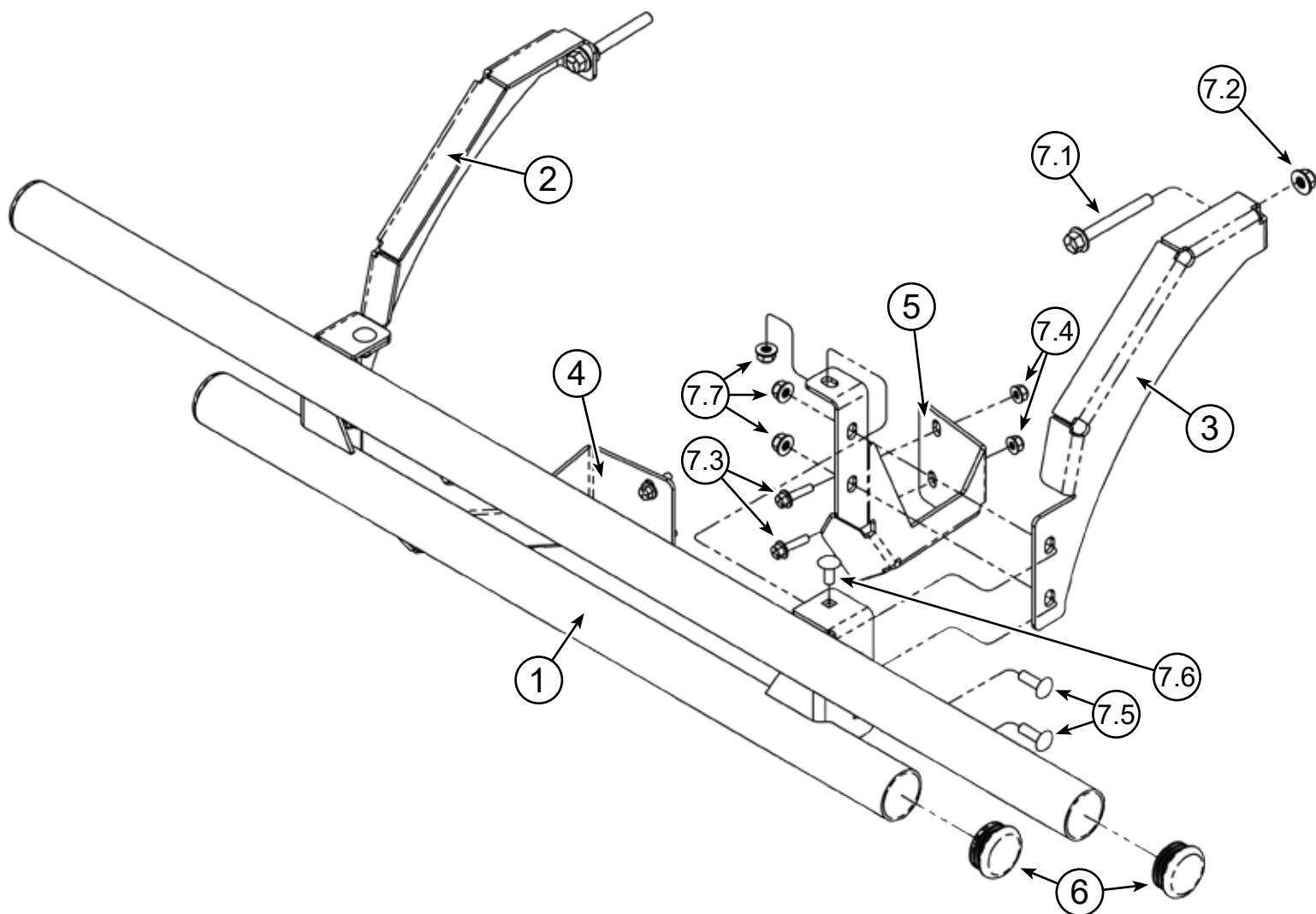


POLARIS XPEDITION REAR BUMPER

Tube Bumper PART #102095



Kit Components:

Item #	Qty.	Description	Item #	Qty.	Description
1	1	Bumper Weldment	7.1	2	3/8"-16 X 3.00" Hex Bolt Flange Serr. GR5
2	1	Bumper Mount Upper Driver Side	7.2	2	3/8"-16 Hex Nut Flange Nylock GR5
3	1	Bumper Mount Upper Passenger Side	7.3	4	1/4"-20 X 1.00" Hex Bolt Flange Serr. GR5
4	1	Bumper Mount Lower Driver Side	7.4	4	1/4"-20 Hex Nut Flange Nylock GR5
5	1	Bumper Mount Lower Passenger Side	7.5	8	5/16"-18 x 1.00" Carriage Bolt Short Neck GR5 Black (4 Not Used)
6	4	Bumper Tube Cap	7.6	2	5/16"-18 x .75" Carriage Bolt Short Neck GR5 Black
7	1	Hardware Kit HK-436	7.7	6	5/16"-18 Hex Nut Flange Nylock GR5

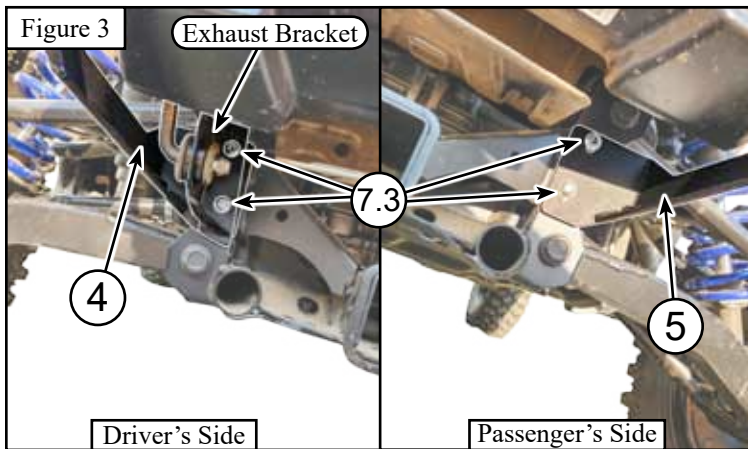


INSTALLATION INSTRUCTIONS

Note: Make sure all hardware needed to complete this mount is in the package. Thoroughly read through and understand the instructions before installing.

1. When installing, keep all hardware loose until specified in the manual. If hardware is fully tightened as you install, you will have issues lining everything up.
2. Install the Bumper Tube Caps (6) on the Bumper (1), as shown in the **Exploded Diagram** on Page 1.
3. Place Upper Drivers Side Mount (2) in place as shown in **Figure 1**. Use Bolt (7.1) and Nut (7.2) to secure it. Repeat on the Passenger's Side Mount (3) as shown in **Figure 1**. *Nut (7.2) is hidden in this image.*

*Note: Where the upper and lower bracket meet, the Upper Brackets should be on the outside of the Lower Brackets as shown in **Figure 2**.*



4. With the upper mounts in place, remove the bolts from the Driver's Side Lower Exhaust Bracket indicated in **Figure 3**.
5. Place the Lower Driver's Side Mount (4) between the Exhaust Bracket and Frame. Secure with Bolts (7.3) and Nuts (7.4) as shown in **Figure 3**. *Nuts (7.4) are hidden in this image.*
6. Install the Lower Passenger's Side Mount (5) shown in **Figure 3**. Use Bolts (7.3) and Nuts (7.4) to secure the mount.
7. Place Bumper (1) on the installed brackets (3 & 5) as shown in **Figure 4**. Use bolts (7.5) through the sides and bolt (7.6) through the top. Secure with nuts (7.7). Complete on both sides.

8. Square up Bumper and tighten all hardware evenly.

