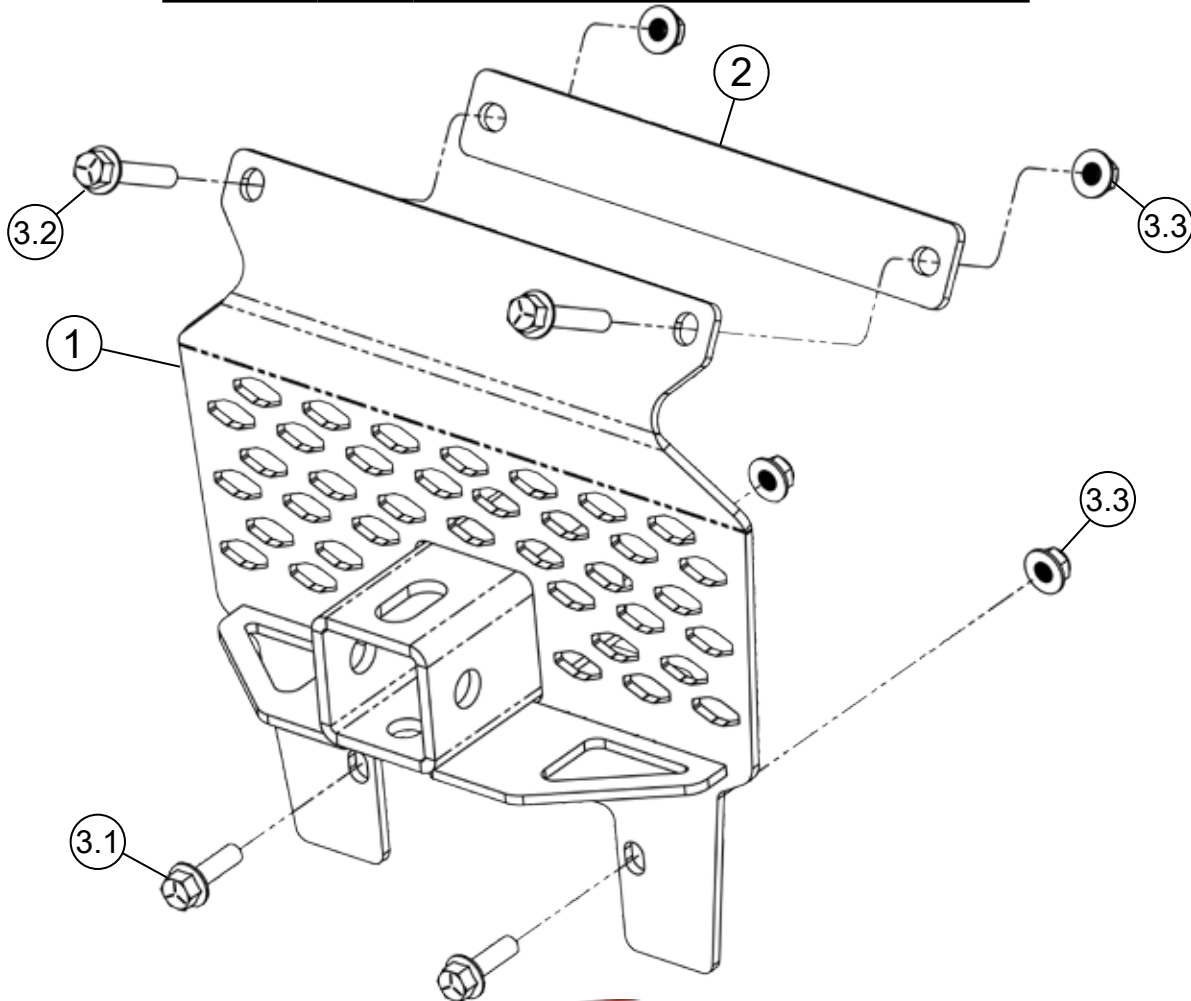


# HONDA PIONEER

Front Receiver

PART #102165 Rev B

Kit Components:		
Item #	Qty.	Description
1	1	Front Receiver (102166)
2	1	Receiver Backer Plate (102168)
3	1	Hardware Kit (HK-423)
3.1	2	3/8"-16 x 1.25 Hex Bolt Flange GR5 Serr.
3.2	2	3/8"-16 x 2.00 Hex Bolt Flange GR5 Serr.
3.3	4	3/8"-16 Hex Flange Nylock Nut
*Not Used 3.4	2	3/8"-16 x 1.00 Hex Bolt Flange GR5 Serr.
*Not Used 3.5	2	3/8" Flat Washer



# INSTALLATION INSTRUCTIONS

**Note:** Make sure all hardware needed to complete this mount is in the package. Thoroughly read through and understand the instructions before installing.

1. If a winch is already installed, the fairlead will need to be removed before installing the front receiver. **NOTE:** Fairlead hardware can be discarded as it will not be reused.
2. Set front Receiver (1) in place and loosely secure to front bumper using Bolts (3.1) and Nuts (3.3) as shown in **Figure 1**. **NOTE:** The winch Fairlead (if applicable) will be reinstalled in this location over top of front Receiver (1) as shown in **Figure 2**.
3. Adjust front Receiver (1) to the center of the bumper and carefully tighten Bolts (3.1) and Nuts (3.3).
4. Using front Receiver (1) as a template, drill holes (A) using a 7/16" drill bit as shown in **Figures 1 & 2**.
5. Place Receiver Backer Plate (2) on the back side of the front bumper in hole location (A) and secure the top of Front Receiver (1) using Bolts (3.2) and Nuts (3.3) as shown in **Figure 3**. **NOTE:** Front bumper can be removed if more clearance is needed to access Nuts (3.3) in step 5.
6. Tighten all hardware evenly.

