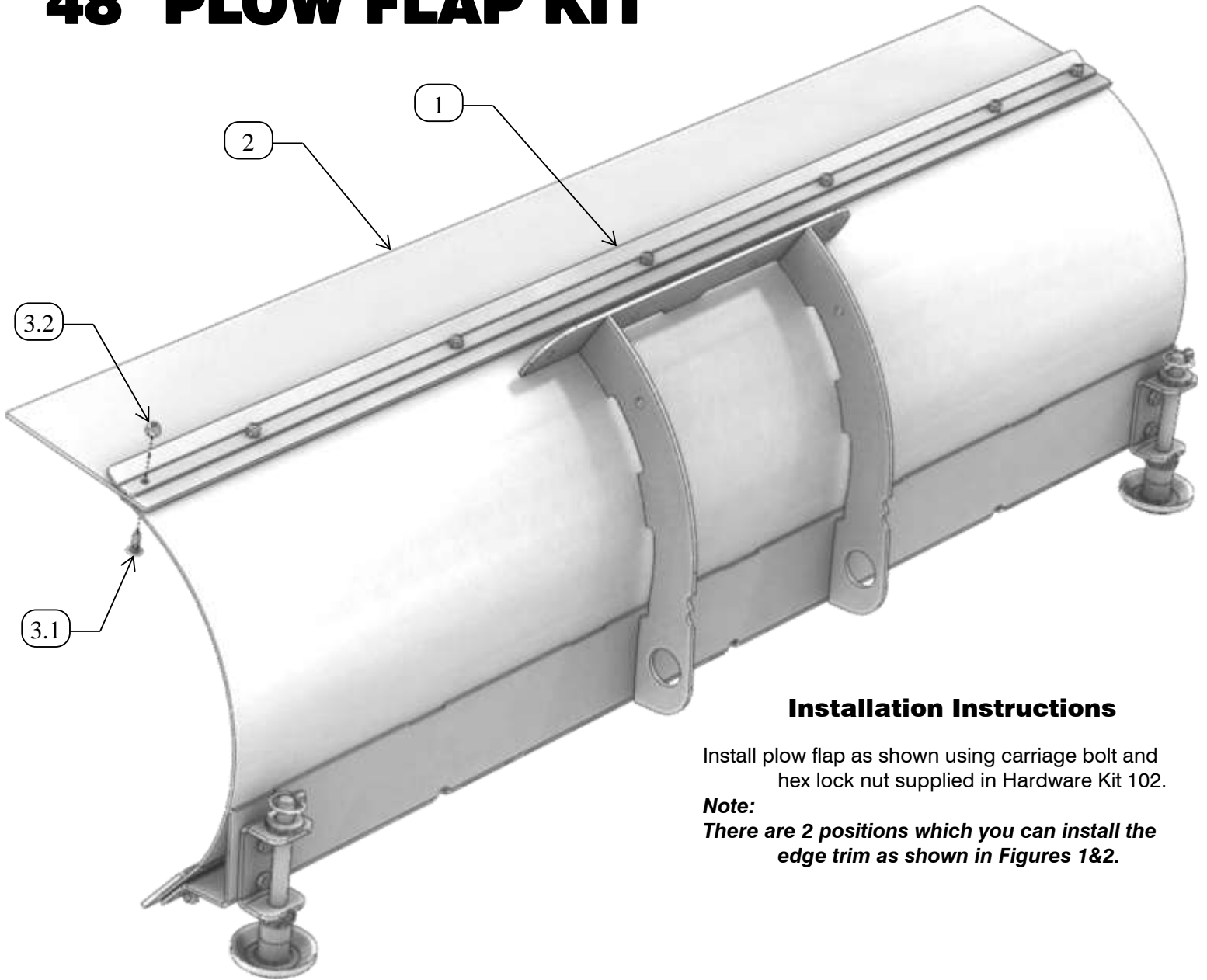


48" PLOW FLAP KIT



Installation Instructions

Install plow flap as shown using carriage bolt and hex lock nut supplied in Hardware Kit 102.

Note:

There are 2 positions which you can install the edge trim as shown in Figures 1&2.

105135 PARTS LIST

ITEM #	PART #	DESCRIPTION	QTY.
1	105153	STR PLOW 48 EDGE TRIM	1
2	105156	48 RUBBER FLAP	1
3	HK-102	PLOW FLAP HARDWARE KIT	1
3.1	CB-5Z-025-20-100	1/4-20 x 1 CARRIAGE BOLT	7
3.2	HNN-5Z-025-20	1/4-20 HEX NUT NYLOCK	7

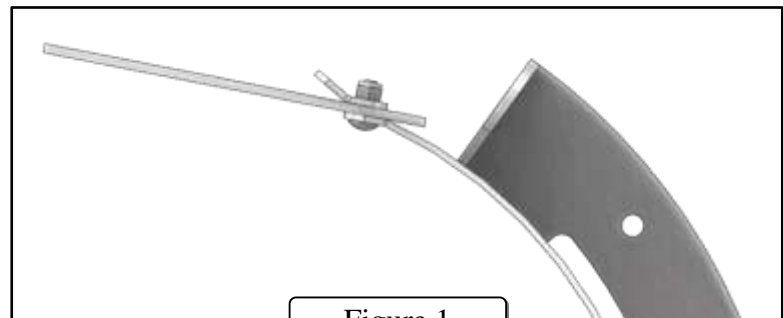


Figure 1



Figure 2