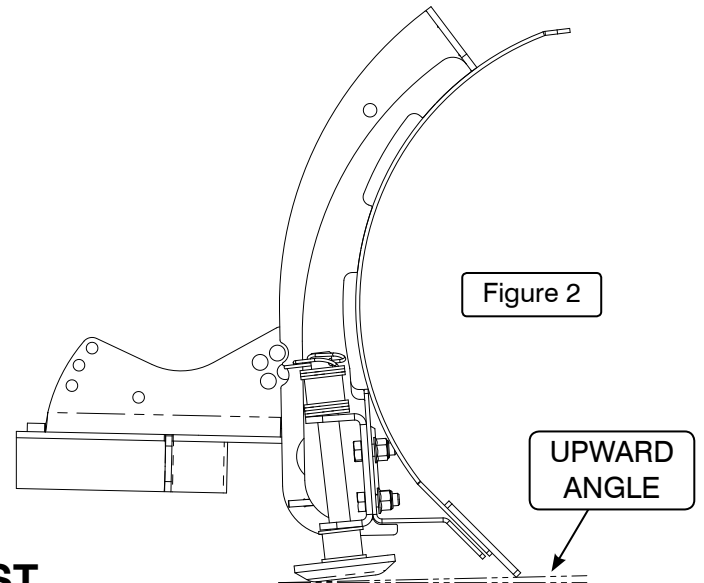


Skid Kits are adjustable using variations of the washers and rubber bushings provided in the hardware kit.
Note: Figure 1 shows one example of how washers and bushings can be used. Once installed, both Plow Feet should be angled as shown in Figure 2.



105170 - KFI PLOW SKID PARTS LIST

Item #	Part Number	Description	Qty.
	105170	Skid Kit	1
1	P800443	Plow Foot	2
2	105006	Plow Foot Bracket	2
3	HK-103	Skid Hardware Kit	2
3.1	FW-SAE-Z-063	5/8" Flat Washer, SAE, Steel, ZINC Plated	9
3.2	HB-5Z-038-16-075	3/8-16 x 3/4" Hex Bolt Grade 5, ZINC Plated (Steel Blades)	2
3.3	HNFN-5Z-038-16	3/8-16" Hex Nut Flange Lock, ZINC Plated	2
3.4	HB-5Z-038-16-100	3/8-16 x 1.00" Hex Bolt Grade 5, ZINC Plated (Poly Blades)	2
3.5	P800244	Rubber Bushing	2
3.6	P800486	Self Locking Cotter Pin	1