

PLOW / FAIRLEAD PULLEY

Pulley

Part #105270 & 105465

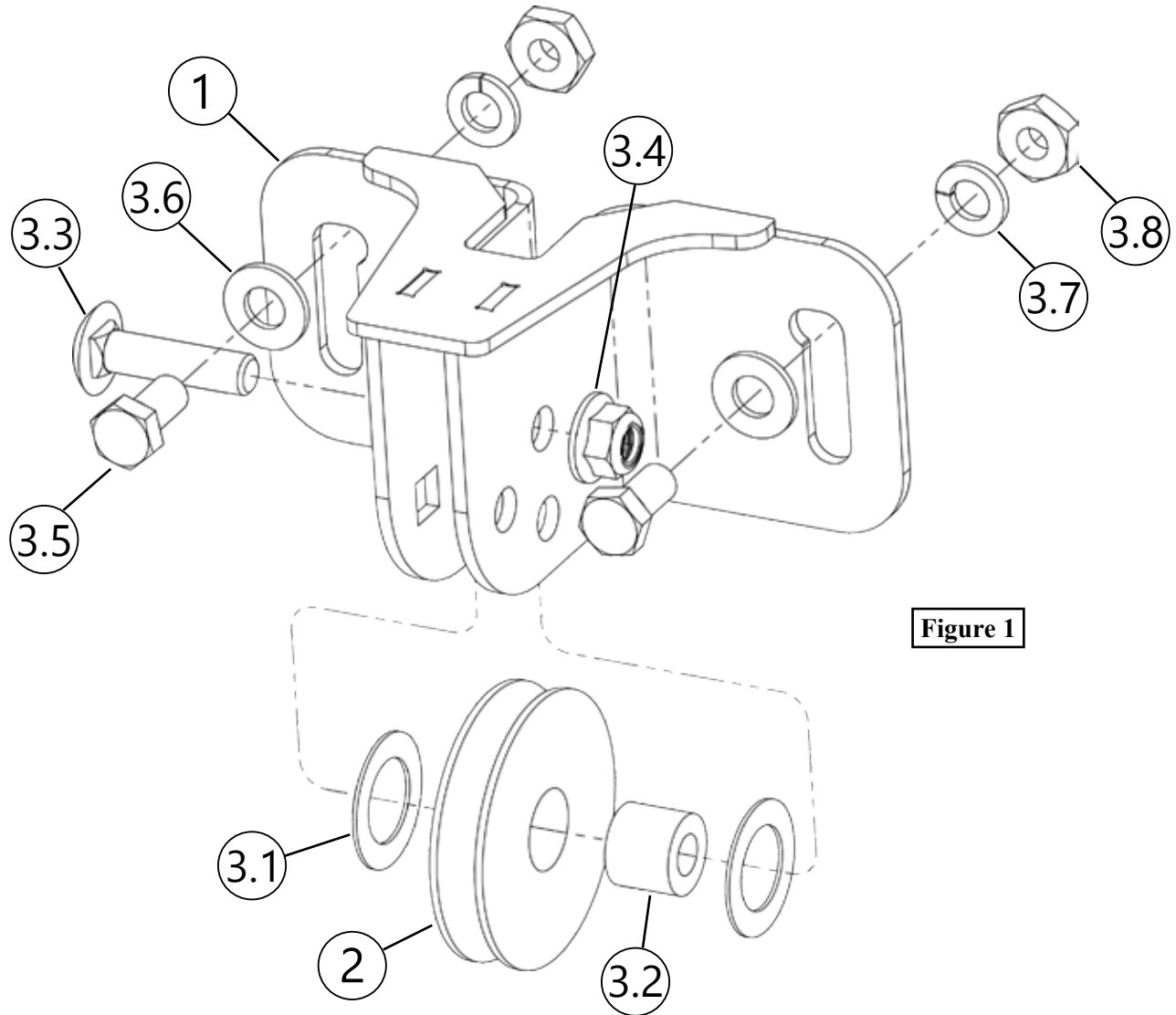


Figure 1

Item #	Qty.	Description
1	1	Fairlead Pulley Bracket
2	1	Steel Plow Roller Pulley
3	1	HK-138
3.1	2	Nylon Spacer
3.2	1	Nylon Bushing
3.3	1	3/8"-16 X 1 1/2" Carriage Bolt

Item #	Qty.	Description
3.4	1	3/8"-16 Hex Flange Nylock Nut
3.5	2	3/8"-16 X 3/4" Hex Bolt
3.6	2	3/8" SAE Washer
3.7	2	3/8" Lock Washer
3.8	2	3/8"-16 Jam Nut



STEEL PLOW PULLEY INSTALLATION INSTRUCTIONS

Note: Make sure all hardware needed to complete this mount is in the package. Thoroughly read through and understand the instructions before installing.

INSTALLATION INSTRUCTIONS:

1. Place cable over pulley and decide if upper (A), lower (B) or forward (C) position is best for your winch.

Note: Keep in mind that your cable needs to clear your fairlead bracket.

2. Place cable over pulley and install to Pulley Bracket using the 1 1/2" Carriage Bolt (3.3), Nylon Spacers (3.1), Nylon Bushing (3.2), and Flange Nut (3.4) to Pulley as shown in Figure 1. Do not over tighten. The pulley must be able to rotate freely.
3. Loosely install 3/8" bolt (3.5), washer (3.6), lock washer (3.7), and nut (3.8) through fairlead bracket and pulley bracket as shown in figures 1 and 3. Slots have been cut into the brackets to adjust for clearance of plastic on the machine.

Note: You may also need to use the forward position (C) to clear the plastic.

4. Once desired position is found, tighten down all nuts.

Note: Make sure the rope is as close to 90 degrees from the ground as you can get it. Most plows come with 3 or more hook points for winches that are offset from the center of the machine.

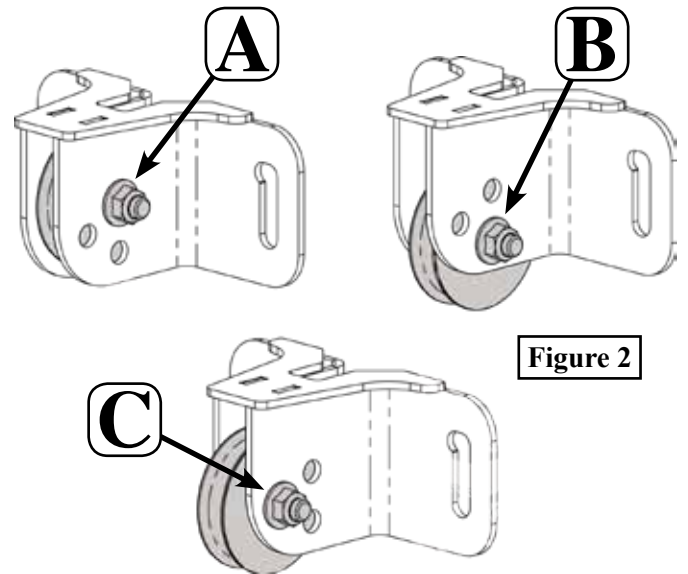


Figure 2

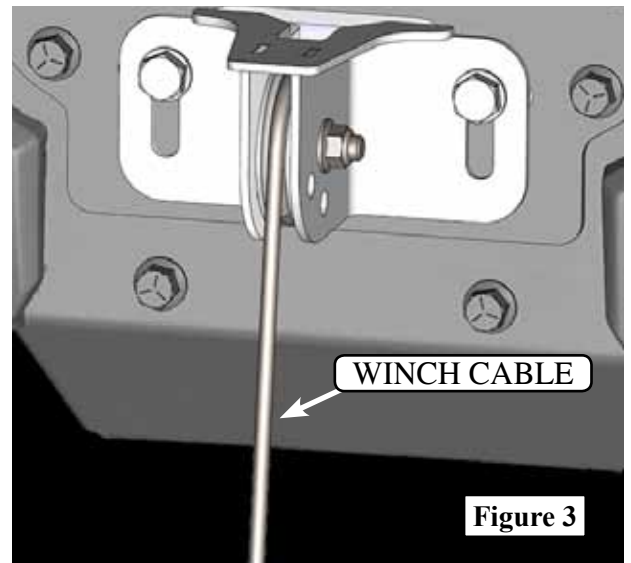
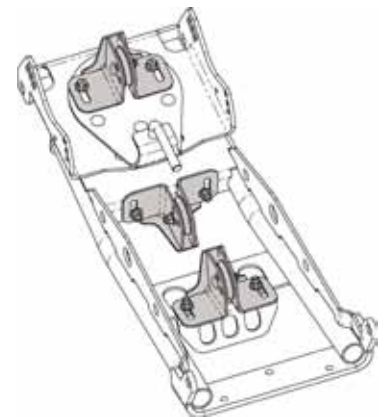


Figure 3

USING PLOW PULLEY ON PUSH TUBES

The plow fairlead pulley can also be attached to the push tubes in multiple configurations. In this case, the cable will go from the roller fairlead to the pulley (located on the push tubes) and then back up to a bumper or solid anchor point. View next page for information on how to attach the Plow Fairlead Pulley to the push tubes.

Note: Standard fairlead pulley required for all push tube applications.

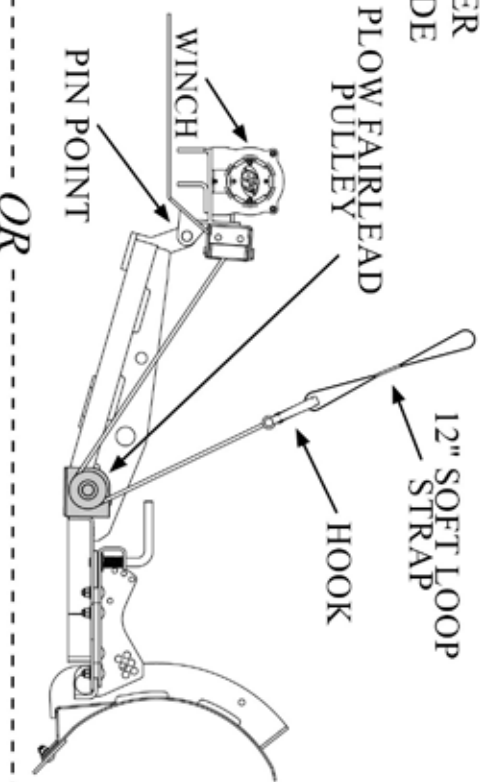




THIS MOUNT RECOMMENDS A PLOW PULLEY

SYNTHETIC ROPE PLOW FAIRLEAD PULLEY

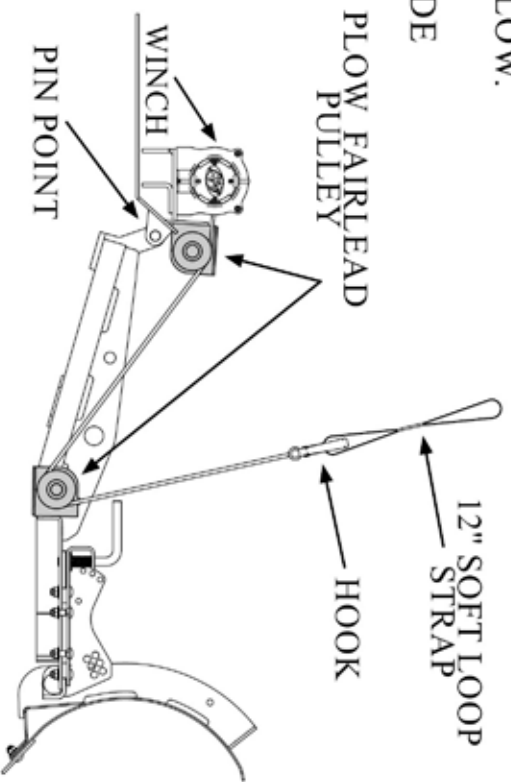
- ALUMINUM ROLLER
- STANDARD OR WIDE



OR

STEEL CABLE PLOW FAIRLEAD PULLEY

- RECOMMEND A PULLEY AT THE WINCH AS WELL AS PUSH TUBE.
- VIEW EXAMPLE BELOW.
- STEEL ROLLER
- STANDARD OR WIDE

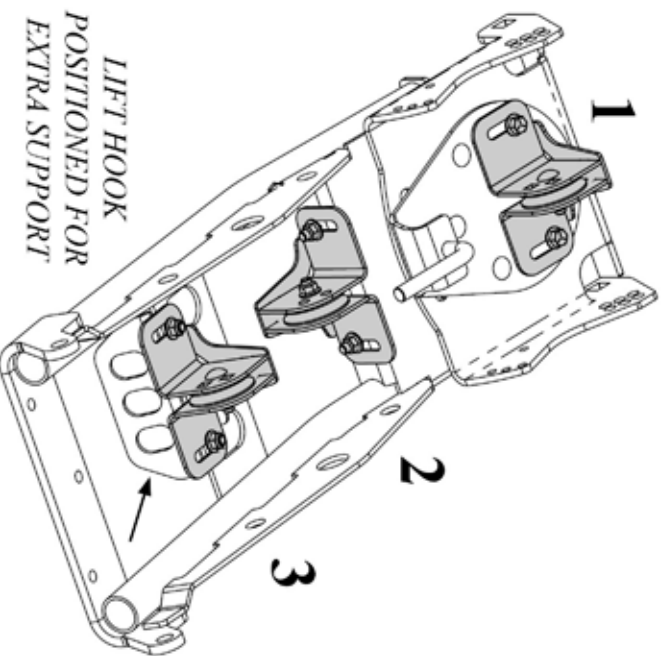


WHY USE A PULLEY?

WHEN THE WINCH FAIRLEAD AND PLOW PIN POINT ARE CLOSE TO EACH OTHER, IT CREATES A SHALLOW LIFTING ANGLE. BY ADDING A PULLEY, YOU ARE CHANGING THE WINCH ANGLE TO A MORE VERTICAL LIFTING POSITION. THIS WILL PROVIDE LESS STRAIN ON THE WINCH AND ENTIRE PLOW SYSTEM.

POSSIBLE POSITIONS

STANDARD FAIRLEAD PULLEY REQUIRED FOR ALL PUSH TUBE APPLICATIONS



12\"/>