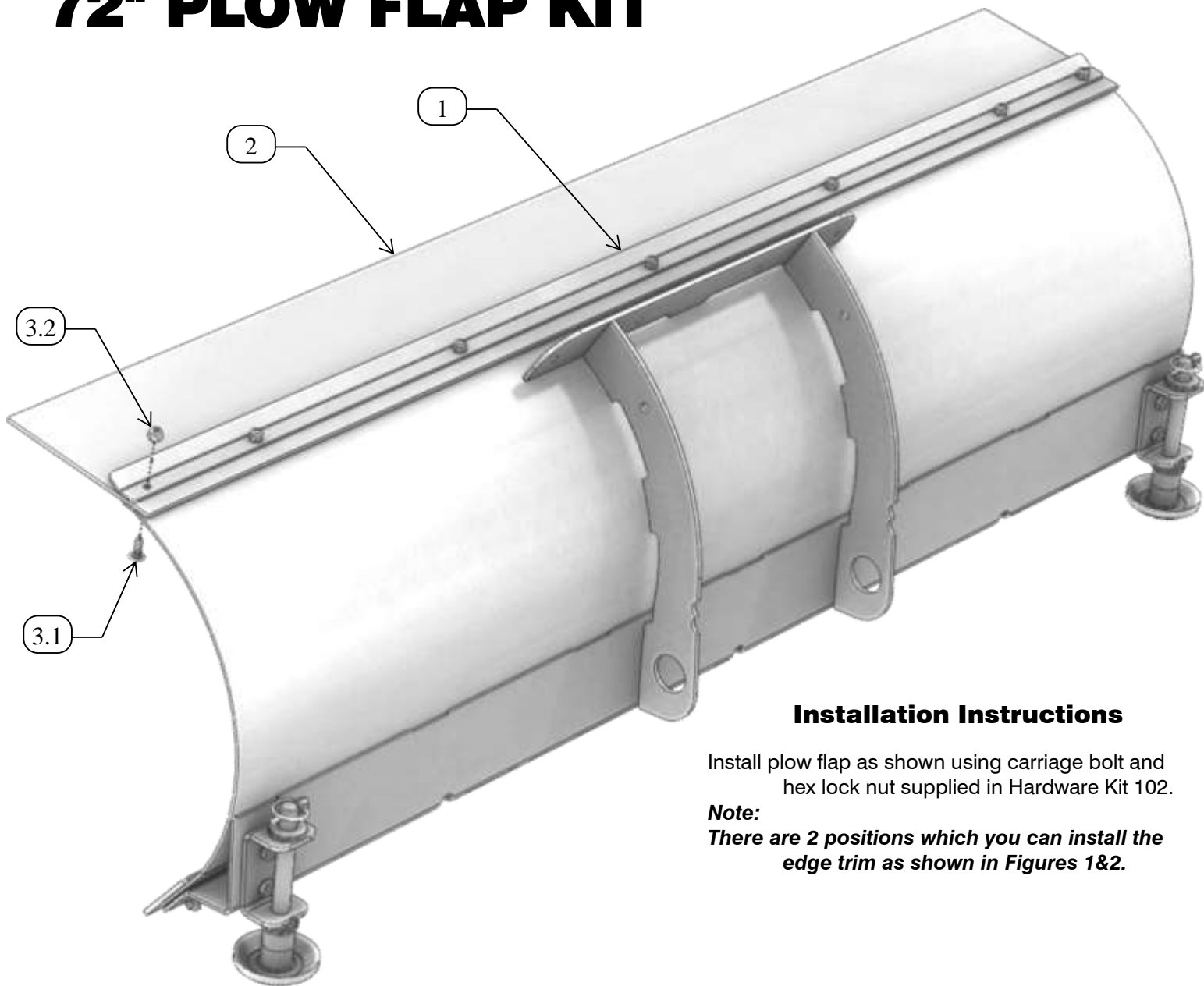


72" PLOW FLAP KIT



Installation Instructions

Install plow flap as shown using carriage bolt and hex lock nut supplied in Hardware Kit 102.

Note:
There are 2 positions which you can install the edge trim as shown in Figures 1&2.

105290 PARTS LIST

| ITEM # | PART # | DESCRIPTION | QTY. |
|--------|------------------|--------------------------|------|
| 1 | 105292 | STR PLOW 72 EDGE TRIM | 1 |
| 2 | 105291 | 72 RUBBER FLAP | 1 |
| 3 | HK-102 | PLOW FLAP HARDWARE KIT | 1 |
| 3.1 | CB-5Z-025-20-100 | 1/4-20 x 1 CARRIAGE BOLT | 7 |
| 3.2 | HNN-5Z-025-20 | 1/4-20 HEX NUT NYLOCK | 7 |

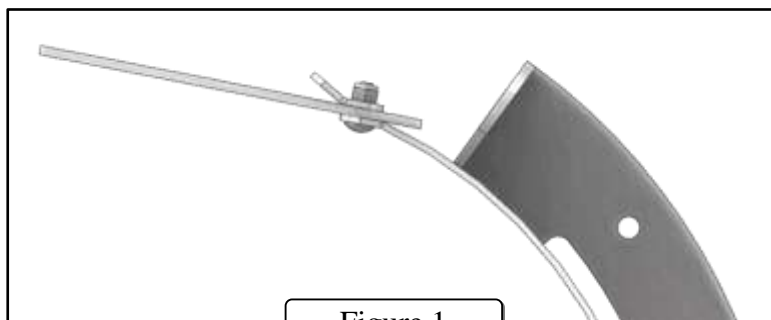


Figure 1



Figure 2