

POLARIS RZR XP 900

Plow Mount PART # 105390
 Hardware Kit: HK-131

Kit Components:

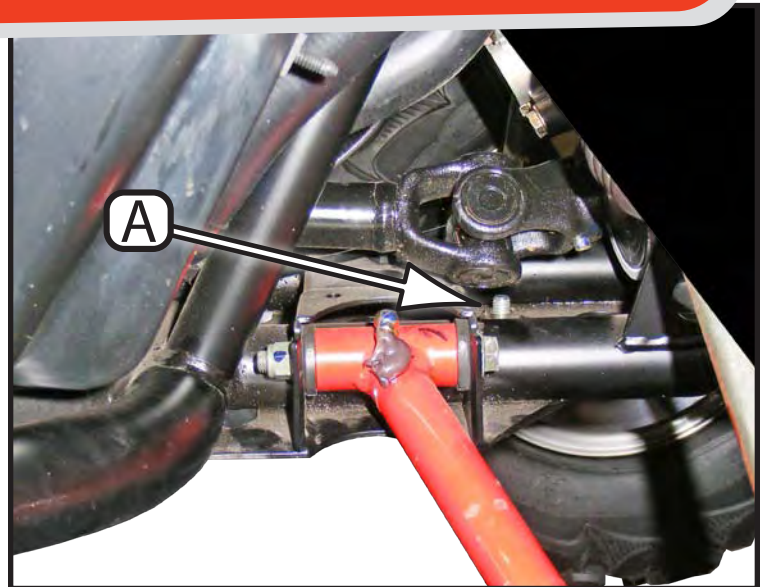
Qty.	Part Description
1.....	Plow Mount Plate



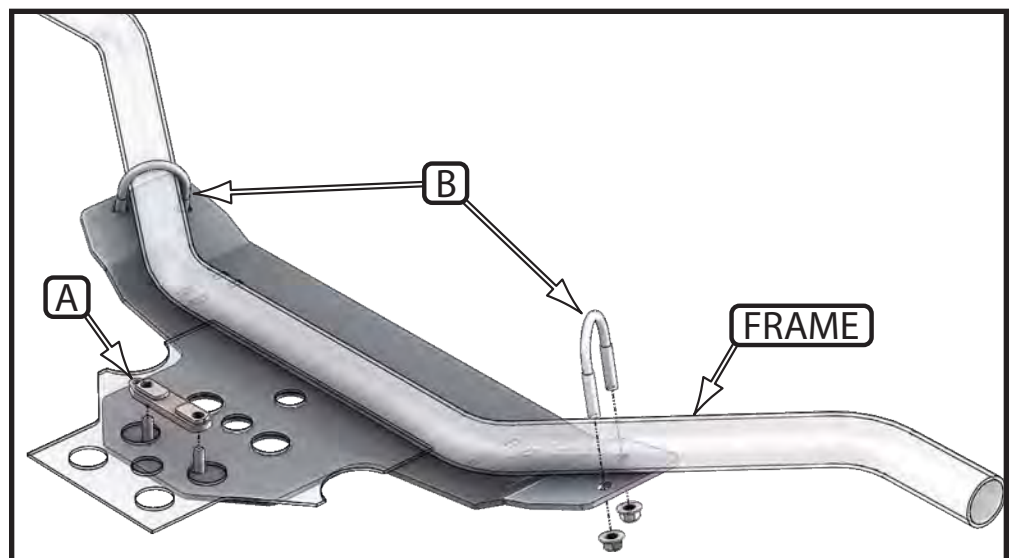
OBsolete

INSTALLATION INSTRUCTIONS

- Place Bolt Plate (A) over holes in the frame
- Place mount plate under machine lining up the front holes of the mount plate with the bolt plate. Install 3/8" Bolts to Bolt Plate as shown in Figure 3.
- Place U-Bolts (B) over tube frame and secure to mount plate using 3/8" Flange Nuts as shown in Figure 3.
- Tighten down all bolts.
- See UTV Plow Tube System instruction manual for tube attachment.



"Figure 2" Bolt Plate Install Location



"Figure 3" Mount Plate Install

