

JCB WORKMAX

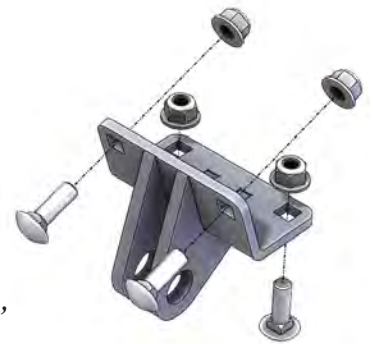
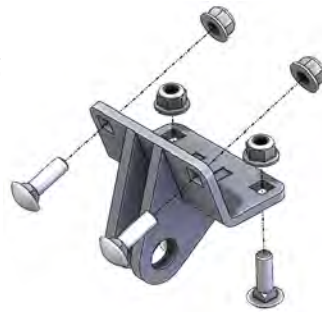
Plow Mount

PART # 105460
Hardware Kit: HK-105

Requires Part # 100960

Kit Components:

Qty.	Part Description
2.....	Plow Tab Brackets
8.....	5/16"-18 x 1" Carriage Bolt
8.....	5/16"-18 Flange Nut



INSTALLATION INSTRUCTIONS:

1. Install Plow Tab Brackets to winch mount plate (100960) using the hardware provided with the plow tabs. See Figure 2.
2. Tighten down all bolts.
3. See UTV Plow Tube System instruction manual for tube attachment.

"Figure 1"



"Figure 2" Plow Tabs Installed

