

POLARIS RANGER XP 900

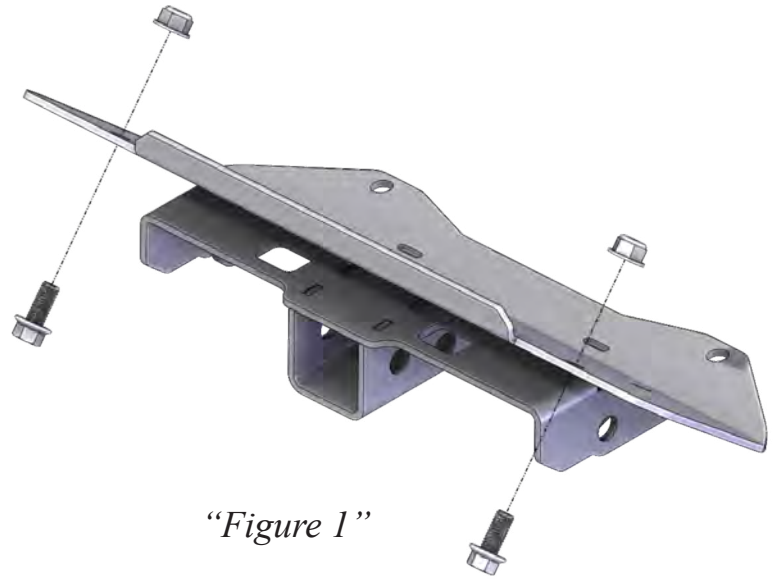
Plow Mount

PART # 105475

Hardware Kit: HK-147

Kit Components:

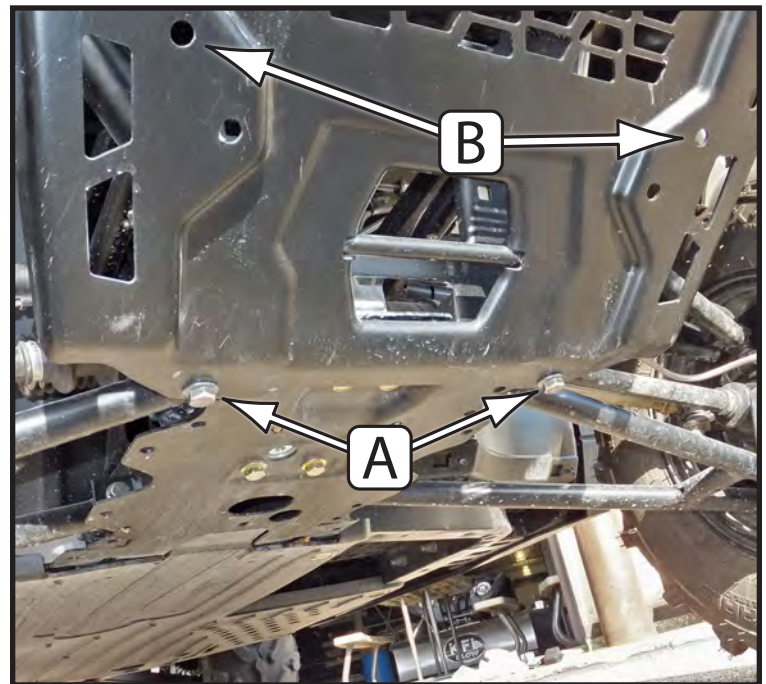
Qty.	Part Description
1.....	Plow Mount
2.....	7/16"-14 x 1" Flange Bolt
2.....	7/16"-14 Flange Nylock Nut



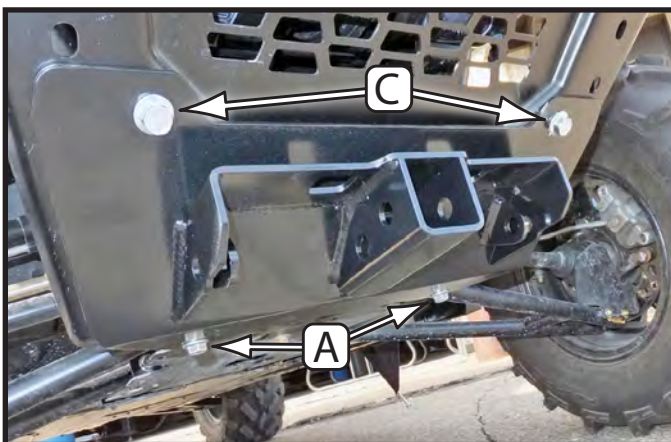
"Figure 1"

INSTALLATION INSTRUCTIONS:

1. Remove lower bumper bolts and nuts (A) as shown in Figure 2.
2. Place mount plate up to machine and install 7/16" bolts and nuts (C) to location (B) as shown in Figures 2&3.
3. Reinstall lower bumper bolts and nuts (A) through plow mount and frame.
4. Tighten down all bolts.
5. See UTV Plow Tube System instruction manual for tube attachment.



"Figure 2" Front Bumper



"Figure 3" Mount Installed

