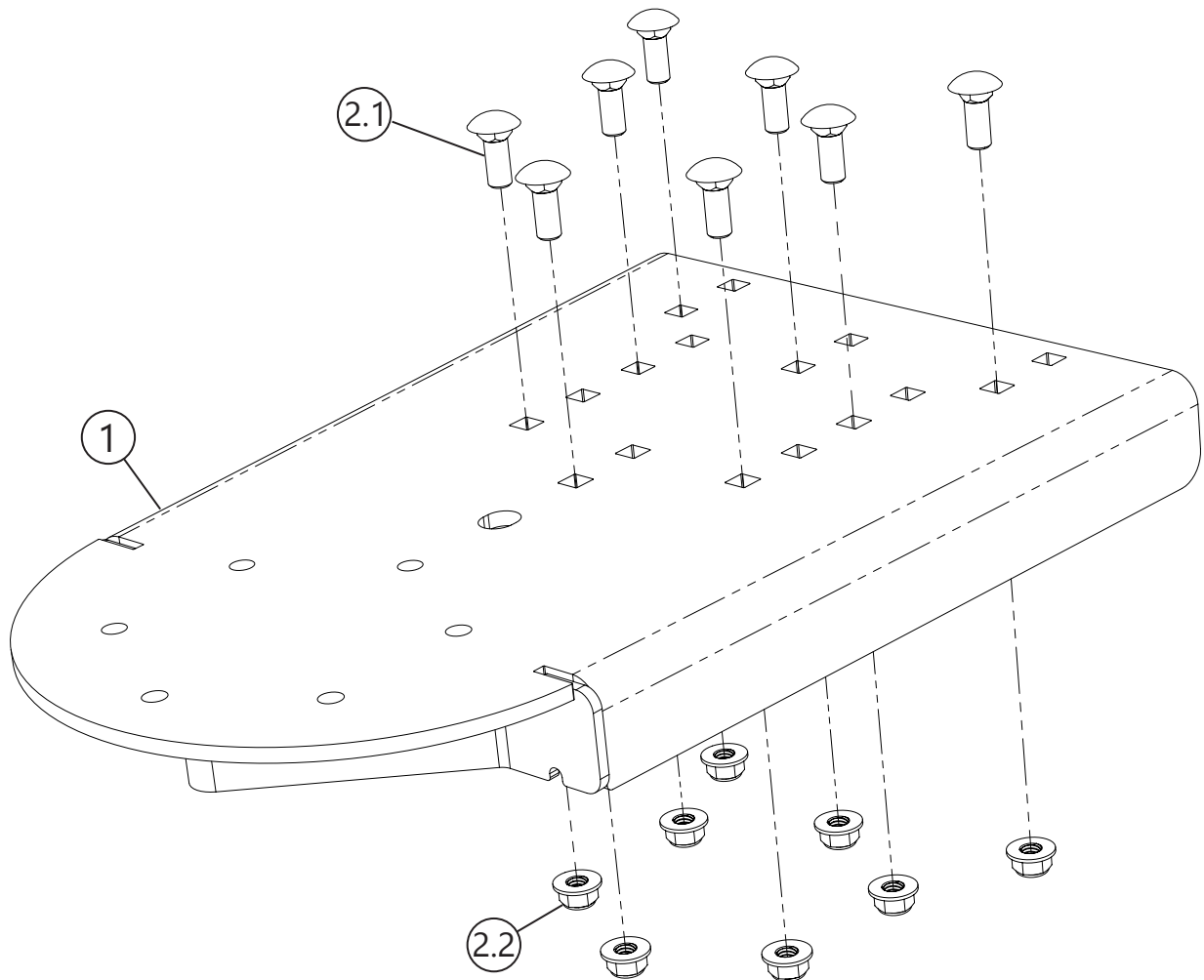


UTV Plow Track Extension

Plow Accessory

PART #105565

Kit Components:		
Item #	Qty.	Description
1	1	UTV Track Extension
2	1	HK-393
2.1	8	3/8" - 16 x 1.00 Carriage Bolt
2.2	8	3/8" - 16 Hex Flange Nylock Nut
2.3	1	3/8" - 16 x 1.50 Carriage Bolt (NOT USED)



INSTALLATION INSTRUCTIONS

Note: Make sure all hardware needed to complete this mount is in the package. Thoroughly read through and understand the instructions before installing.

1. Unbolt hardware (A) as shown in **Figure 1** and remove cradle (B), lift latch assembly (C), and pivot bushing (D) shown in **Figure 2**.

2. Reinstall pivot bushing (D), lift latch assembly (C), and cradle (B) using hardware (A) removed in step 1 onto UTV Track Extension (1) as shown in **Figure 2**.

3. Install UTV Track Extension (1) onto push tubes using bolts (2.1) and nuts (2.2) as shown in **Figure 2**.

Note: Location (E) is the default mounting location as shown in **Figure 3**. Location (F) shown in **Figure 3** is needed for longer tracks or if installing the UTV plow actuator kit. If the push tube does not have rear holes, drilling is required. See **DRILLING NOTE**.

4. Tighten all hardware evenly.

Figure 1

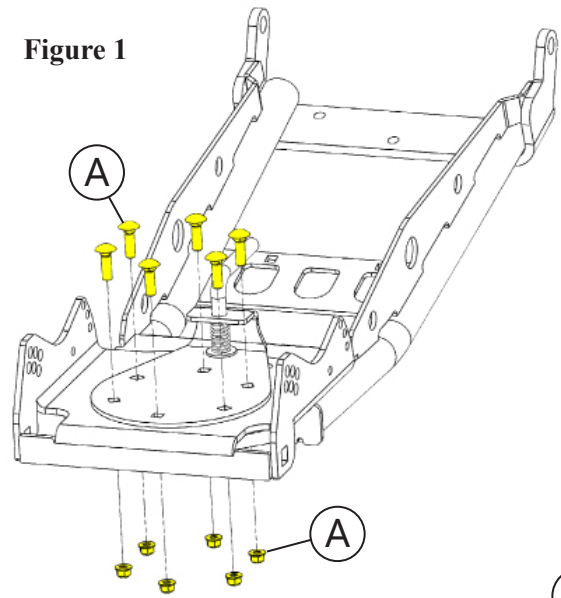


Figure 2

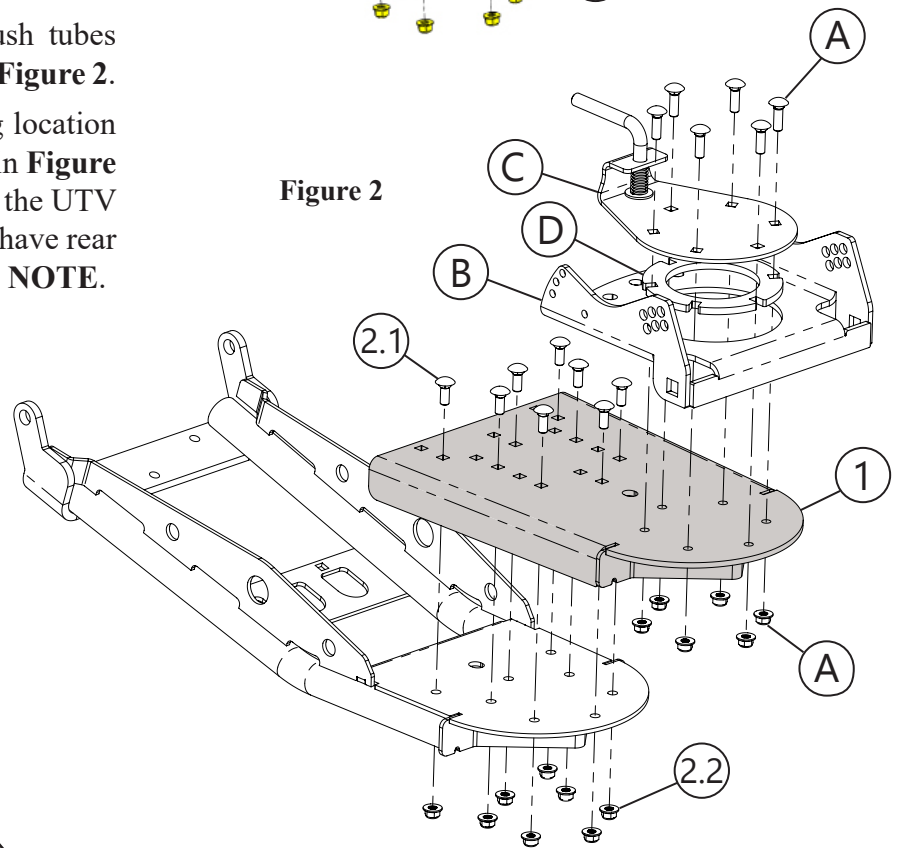
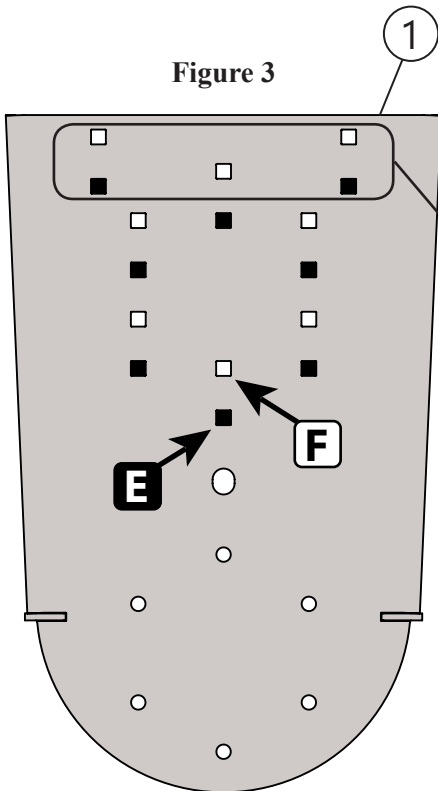
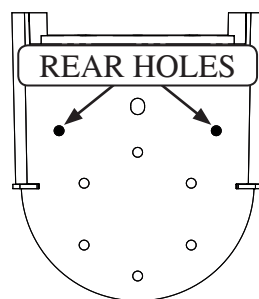


Figure 3



DRILLING NOTE



If push tube does not have rear holes, drilling is required. Bolt ITEM 1 to the push tube using the 6 holes from bolt pattern E or F as shown in **Figure 3**. Using ITEM 1 as a template, drill 2 holes through the push tube using a 13/32" drill bit. The location of these holes will depend on which pattern was used (E or F). Once holes are drilled, finish installing the remaining bolts and nuts (2.1 and 2.2).