

PLOW LEVER LIFT

Plow Lever Lift Part#: 105570
 Hardware Kit: HK-155

Kit Components:

Qty.	Part Description
1.....	Plow Lever Lift bracket
1.....	Plow Lever Lift Channel
1.....	5/8" Hitch Pin W/ Clip
4.....	3/8"-16 x 1-1/2" Short Neck Carriage Bolt
2.....	3/8"-16 x 3" Hex Flanged Bolt
2.....	3/8"-16 Hex Flanged Nylok Nut

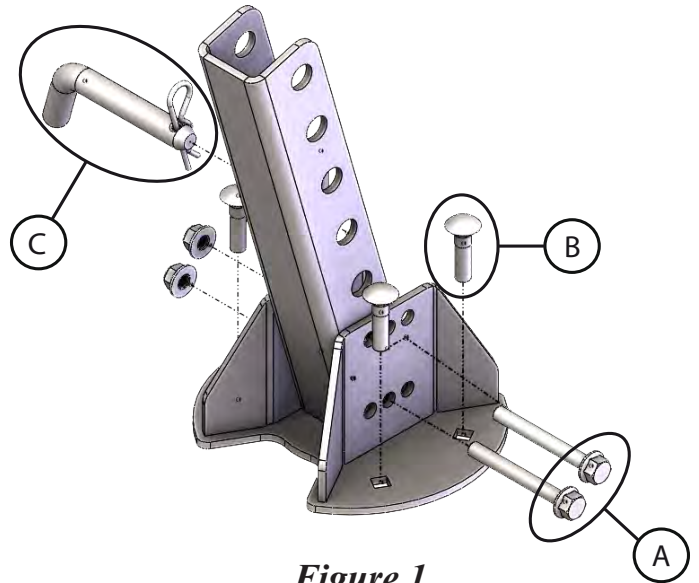


Figure 1

INSTALLATION INSTRUCTIONS:

1. Remove the four 3/8" carriage bolts (A) as shown in **Figure 2**.
2. Mount Plow Lever Lift Bracket using the four longer 3/8" carriage bolts supplied in the hardware kit (B) as shown in **Figure 1 & 3**.

NOTE: Depending on make and model of machine, you will need to adjust plow lever lift to achieve proper lifting angle.

3. Place lever lift arm as far forward towards blade to allow maximum pull as shown in **Figure 3**.
4. Mount plow lever lift channel using the two 3/8" bolts supplied in the hardware kit (C) as shown in **Figure 1**.

5. Once desired location has been achieved, tighten all bolts.

6. Place hitch pin in plow lever lift to achieve desired lift angle as shown in **Figure 3**.

NOTE: Default setting shown in **Figure 5**, multiple configurations can be achieved to fit any machine.

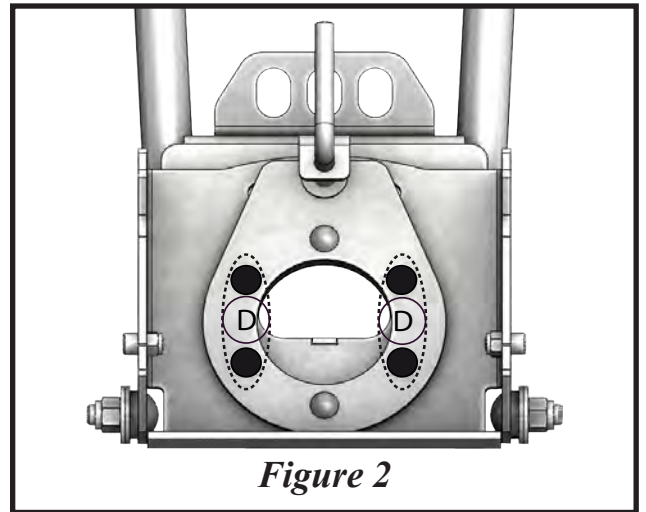


Figure 2

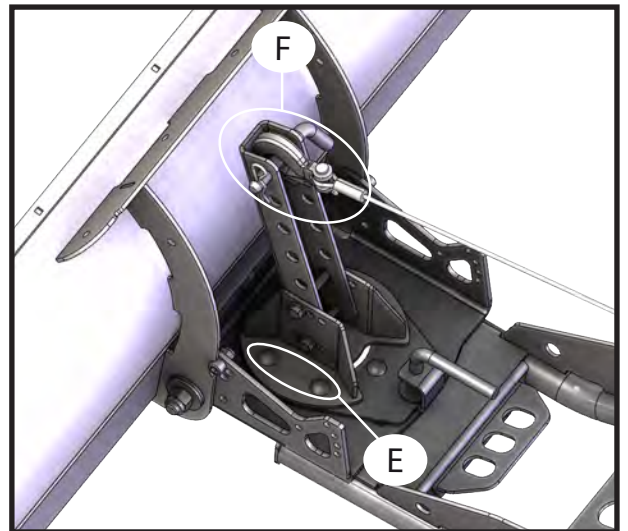


Figure 3: Drivers side view

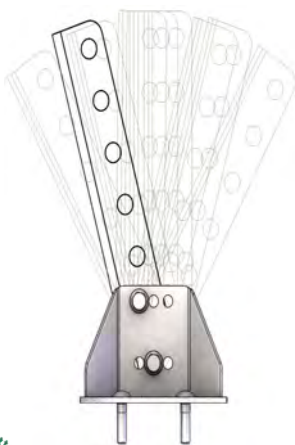


Figure 5

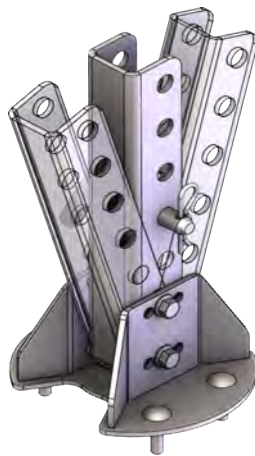


Figure 4

