

POLARIS RZR XP 900/1000

Plow Mount

PART # 105605

Hardware Kit: HK-131

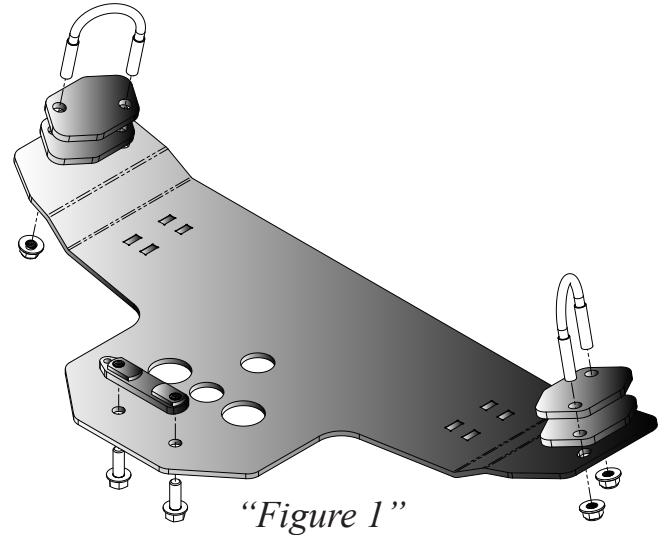
Kit Components:

| Qty. | Part Description |
|--------|-------------------------------|
| 1..... | Plow Mount Plate |
| 1..... | Bolt Plate |
| 4..... | Spacers |
| 2..... | 3/8"-16 x 1" Hex Flanged Bolt |
| 2..... | 3/8"-16 U-Bolt |
| 4..... | 3/8"-16 Flanged Nylock Nut |

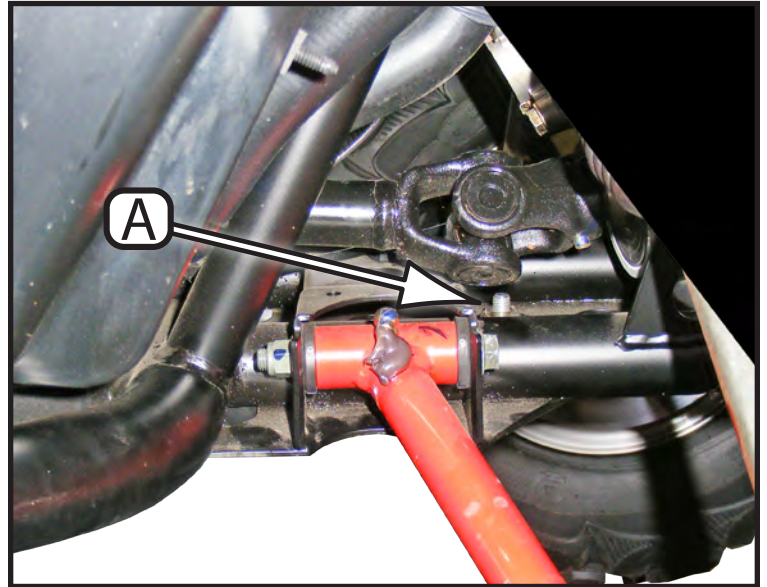
INSTALLATION INSTRUCTIONS:

2014 and Older 900 Models (See Page 2 for newer models)

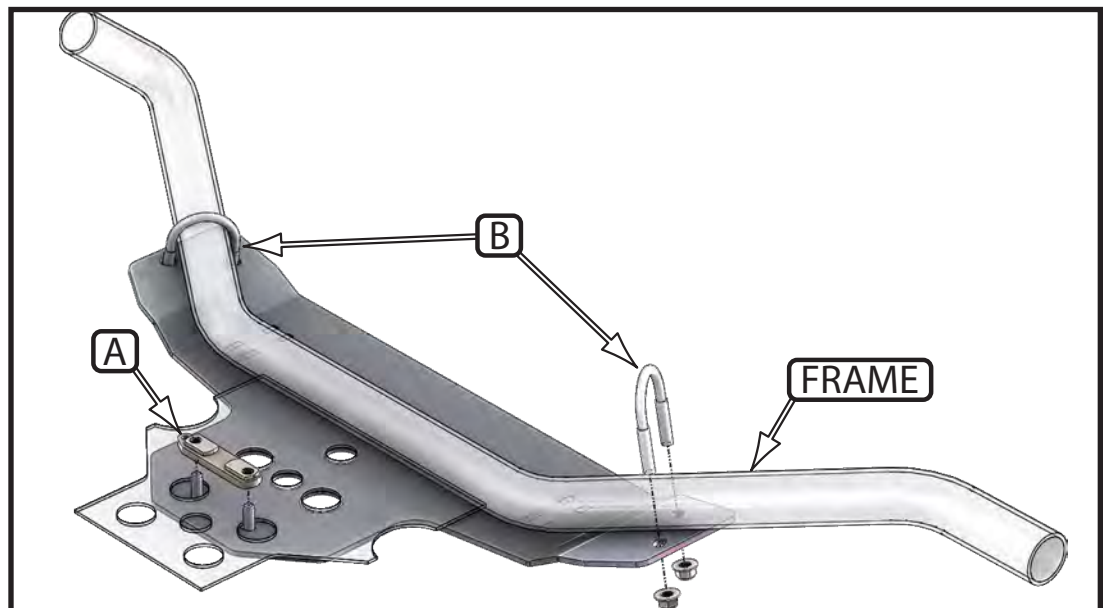
1. Place Bolt Plate (A) over holes in the frame located under the front u-joint as shown in Figure 2.
2. Place mount plate under machine lining up the front holes of the mount plate with the bolt plate. Install 3/8" bolts to Bolt Plate as shown in Figure 3.
3. Place U-Bolts (B) over tube frame and secure to mount plate using 3/8" Flange Nuts as shown in Figure 3.
4. Tighten down all bolts.
5. See UTV Plow Tube System instruction manual for tube attachment.



"Figure 1"



"Figure 2" Bolt Plate Install Location



"Figure 3" Mount Plate Install

2015 900/1000 Models

1. Place Bolt Plate (A) over holes in the frame located between the rear mounts of the front a-arms as shown in Figure 4.
2. Place mount plate under machine lining up the front holes of the mount plate with the bolt plate. Install 3/8" bolts to Bolt Plate as shown in Figure 6.
3. Place spacer plates in gap between the tube and the mount plate. As shown in Figure 5.

Note: See Figure 1 for proper spacer alignment.

4. Place U-Bolts (B) over tube frame through spacer plates and mount plate then secure using 3/8" Flange Nuts as shown in Figures 5 and 6.
5. Tighten down all bolts.
6. See UTV Plow Tube System instruction manual for tube attachment.



"Figure 4" Bolt Plate Install Location



"Figure 5" Spacer Install



"Figure 6" Mount Plate Install

