

# ARCTIC CAT WILDCAT 1000

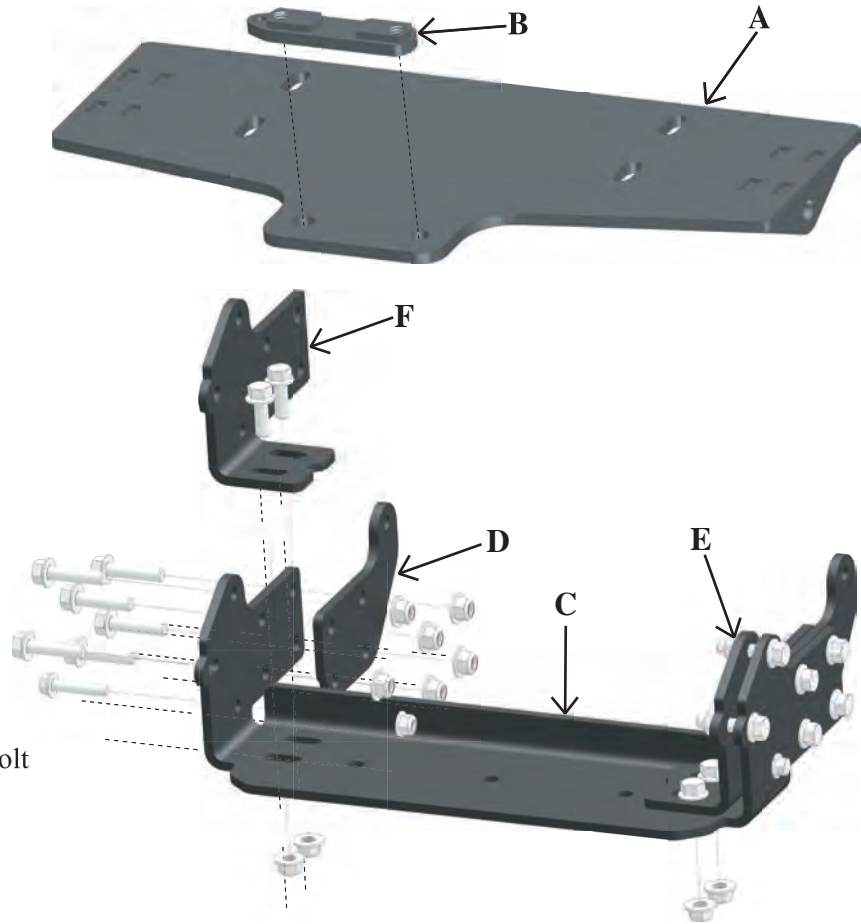
Plow Mount

**PART # 105655**

**Hardware Kit: HK-158**

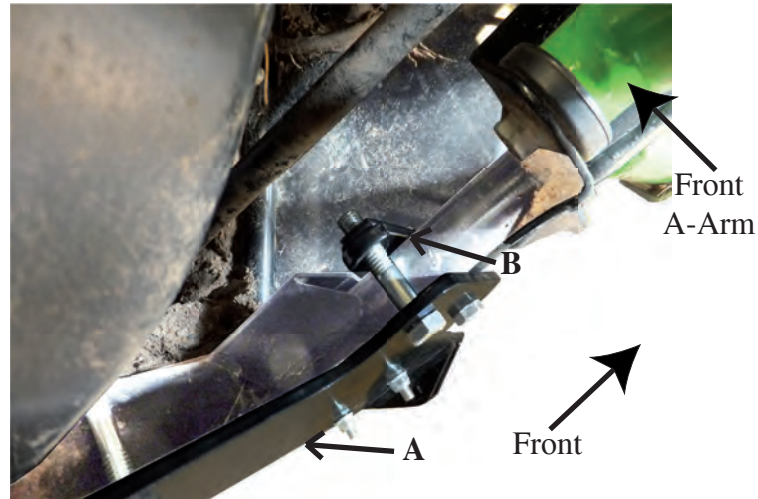
**Kit Components:**

Qty.	Part Description
1.....	Plow Mount Plate (A)
1.....	Bolt Plate (B)
1.....	Plow EXT Mount (C)
2.....	Tab Plate EXT Mount (D)
1.....	DR Side Inner Tab Plate (E)
1.....	PASS Side Inner Tab Plate (F)
12.....	3/8"-16 x 1 1/2" Hex Flange Bolt
16.....	3/8"-16 Hex Flange Nylok Nut
4.....	3/8"-16 x 1" Hex Flange Bolt
2.....	3/8"-16 x 2" Hex Flange Bolt
2.....	5/16"-18 x 1 1/2" Hex Flange Bolt
4.....	5/16"-18 Hex Flange Nylok Nut
2.....	5/16"-18 1 7/8" x 2 3/4" x 1 1/2" U-Bolt



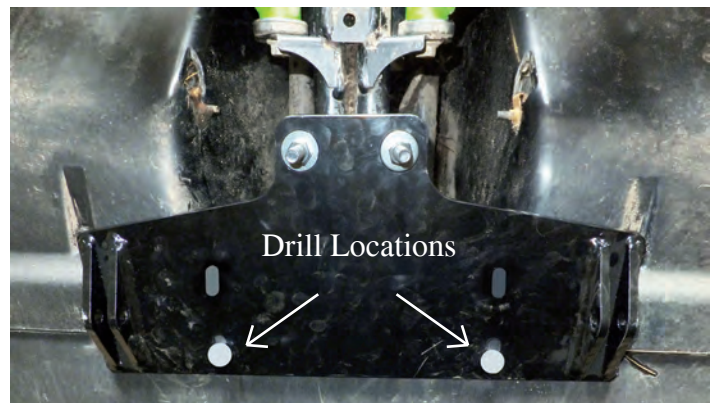
**INSTALLATION INSTRUCTIONS:**

1. Loosely attach your Plow Mount (A) with the Bolt Plate (B) and 3/8"-16 x 2" bolts on each side of the frame behind the A-arms. (As shown in figure 2)
2. Using the Plow Mount as a template, align the rear slots on either side of the frame tube to mark drill locations in the skid plate where U-Bolts will be installed.



*"Figure 2"*

3. Drill holes in the skid plate where marked. See Figure 3



*"Figure 3"*

# ARCTIC CAT WILDCAT 1000

## INSTALLATION INSTRUCTIONS CONTINUED:

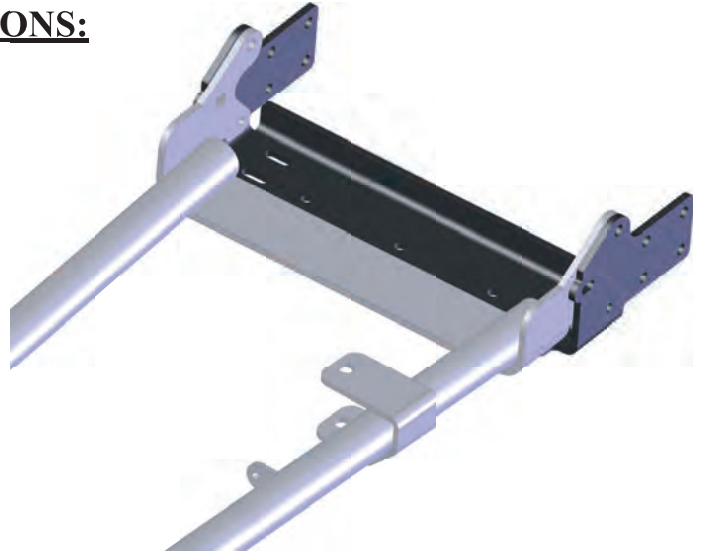
4. Align the mount so you can push the U-bolts through the holes and slots in the mount. Thread the 5/16" nuts onto the U-bolts as shown in figure 4.
5. Tighten down all Bolts and Nuts, make sure U-Bolt ends are even.



*“Figure 4”*

## EXT MOUNT INSTALLATION INSTRUCTIONS:

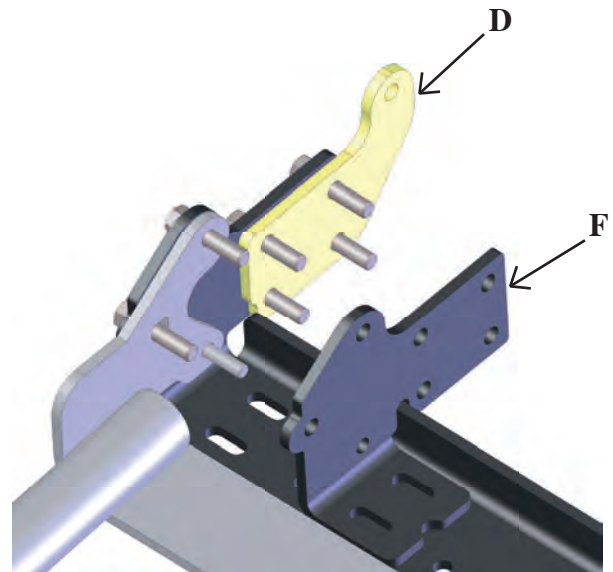
8. Attach the Plow EXT Mount to your Push Tube.  
(Complete steps 9-12 on both sides of your Push Tube)



*“Figure 4”*

9. Place the Plow EXT Mount around the outside of your Push Tube mounting tabs. (as shown in *Figure 4*)

10. Insert Hardware from outside (6x 3/8 x 1 1/2” bolts, 1x 5/16 x 1 1/2” bolt) . Place Tab Plate (D) over the four rear-most bolts. (as shown in *Figure 5*)

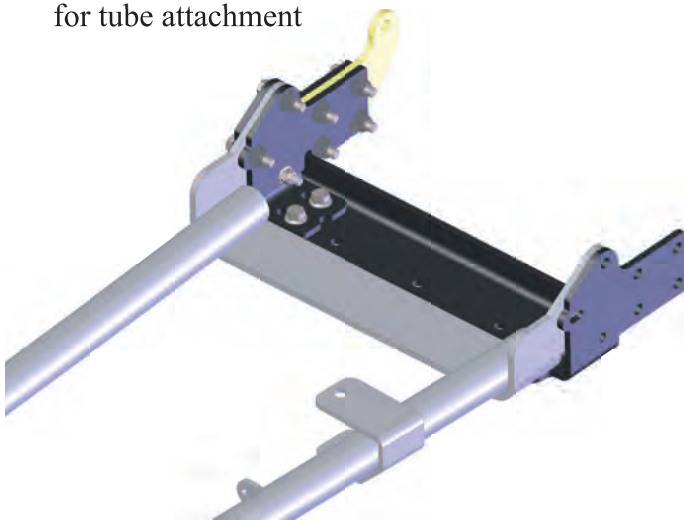


*“Figure 5”*

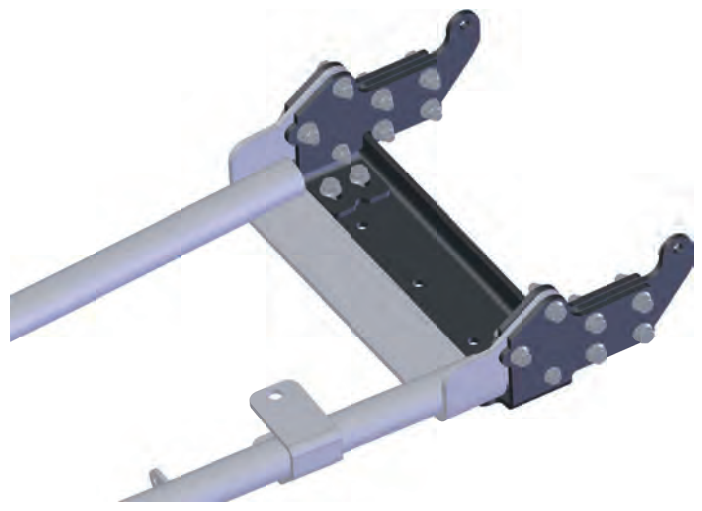
11. Place the Inner Tab Plate (F) up to the Push Tube Tab and Tab Plate (D). Insert two 3/8 x 1” bolts through the Inner Plate and Plow EXT Mount.(as shown in *Figure 6*)

12. Thread nuts on all bolts and tighten hardware evenly.

See ATV Plow Tube System instructional manual for tube attachment



*“Figure 6”*



*“Figure 7 Plow EXT Mount assembled”*

