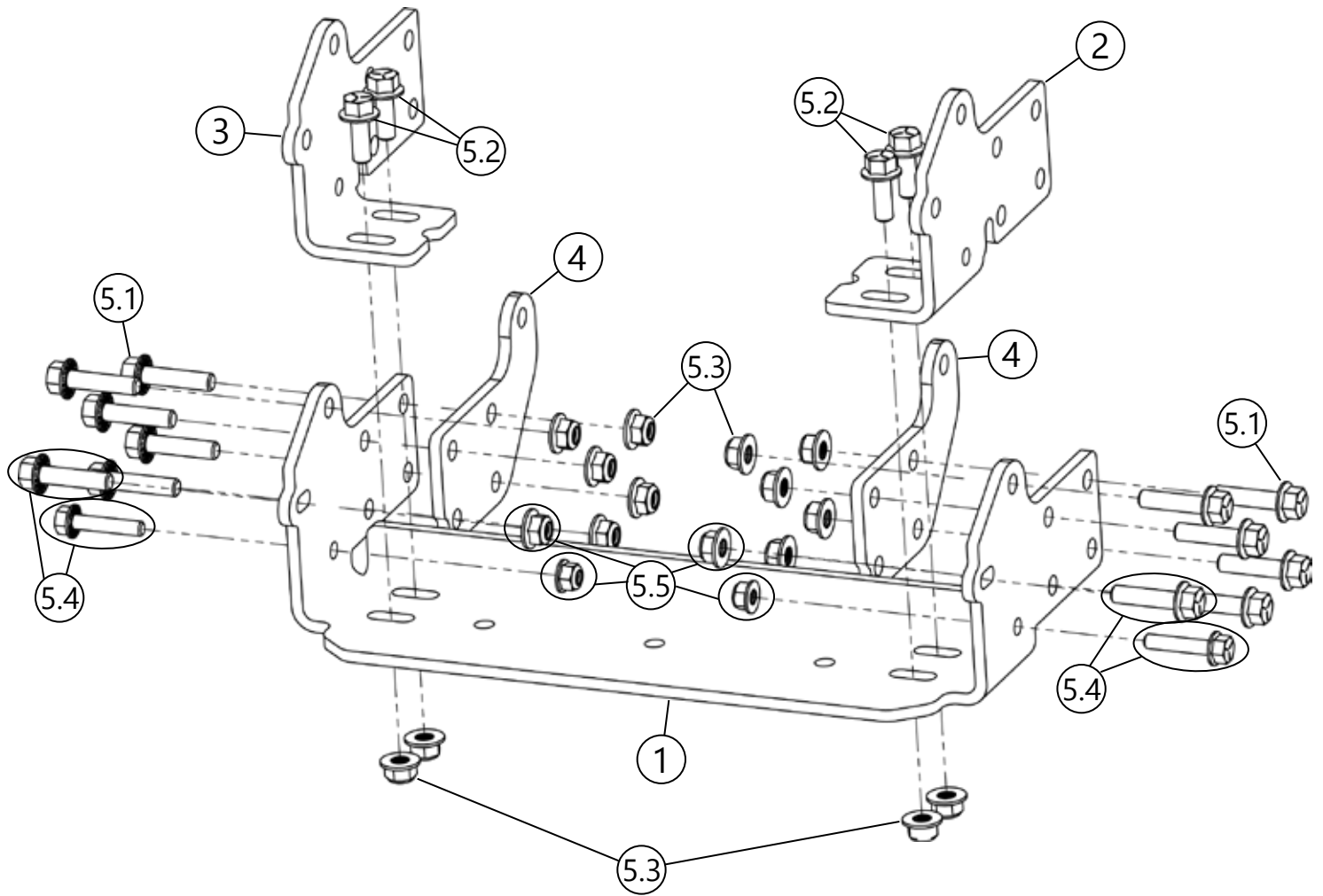


ATV PUSH TUBE EXTENSION

Plow Accessory

PART #105720



Item #	Qty.	Description
1	1	Plow Extension Bracket
2	1	Driver Side Inner Tab
3	1	Passenger Side Inner Tab
4	2	Tab Plate
5	1	Hardware Kit (HK-378)

Item #	Qty.	Description
5.1	10	3/8"-16 x 1.50 Hex Flange Bolt
5.2	4	3/8"-16 x 1.00 Hex Flange Bolt
5.3	14	3/8"-16 Hex Flange Nylock Nut
5.4	4	5/16"-18 x 1.50 Hex Flange Bolt
5.5	4	5/16"-18 Hex Flange Nylock Nut



INSTALLATION INSTRUCTIONS

Note: Make sure all hardware needed to complete this mount is in the package. Thoroughly read through and understand the instructions before installing.

Note: All steps below are for passenger side of push tubes. Repeate steps 1-4 for driver side.

1. Hold Plow Extension Bracket (1) around the outside of the ATV push tube mounting tabs as shown in **Figure 1**.
2. Insert bolts (5.1) from the outside in as shown in **Figure 2**. Place Tab Plate (4) over the four rear most bolts (5.1) as shown in **Figure 2**.
3. Set Passenger Side Inner Tab (3) up tight to ATV push tube mounting tab and Tab Plate (4) as shown in **Figure 2** and secure using bolts (5.1, 5.4) and nuts (5.3, 5.5) as shown in **Figure 3**.
4. Tighten all hardware evenly.

