

# ARCTIC CAT PROWLER 500

## PLOW MOUNT

Plow Mount

PART # 105805

Hardware Kit: HK-170

Kit Components:

Item #	Qty.	Description
1	1	Plow Mount
2	2	Bolt Plate
3	1	Mount Channel
4	1	Hook Bracket
5	2	5/16"-18 x 1" Hex Flange Bolt
6	6	5/16"-18 Hex Flange Nylock Nut
7	2	5/16-18 x 1-1/4 x 2 x 1 U-Bolt
8	4	3/8-16 x 3-1/2" Hex Flange Bolt
9	2	3/8-16 Hex Flange Nylock Nut
10	2	3/8-16 x 1" Carriage Bolt

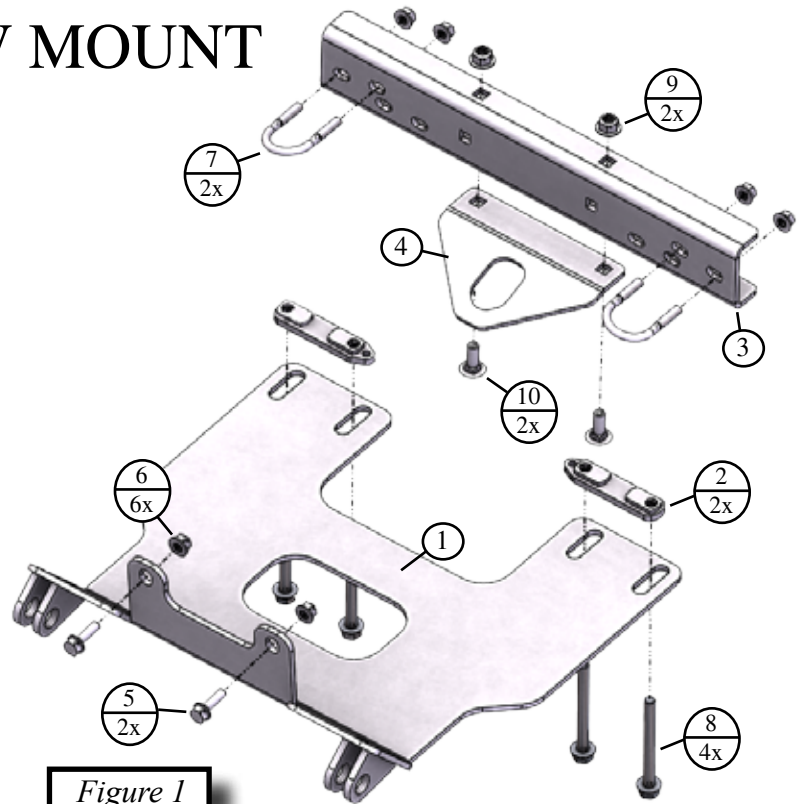


Figure 1

### INSTALLATION INSTRUCTIONS:

*Note: Make sure all of the hardware needed to complete this mount are in the package. Read through and understand the instructions before installing. **May require cutting!***

#### REQUIRES INSTALLATION OF KFI WINCH MOUNT #101370 PRIOR TO PLOW MOUNT INSTALL.

1. Uninstall the plastic fascia by removing the 8 bolts (A) on the sides and front of the fascia. Shown in Figure 2.
2. Remove the two bolts holding the fairlead rollers to the winch mount #101370. *These bolts are no longer needed.*
3. Hold the front of the plow mount up to the fairlead bracket and bolt the fairlead rollers back up sandwiching the plow mount between the rollers and the bracket using the supplied bolts (Item #5).

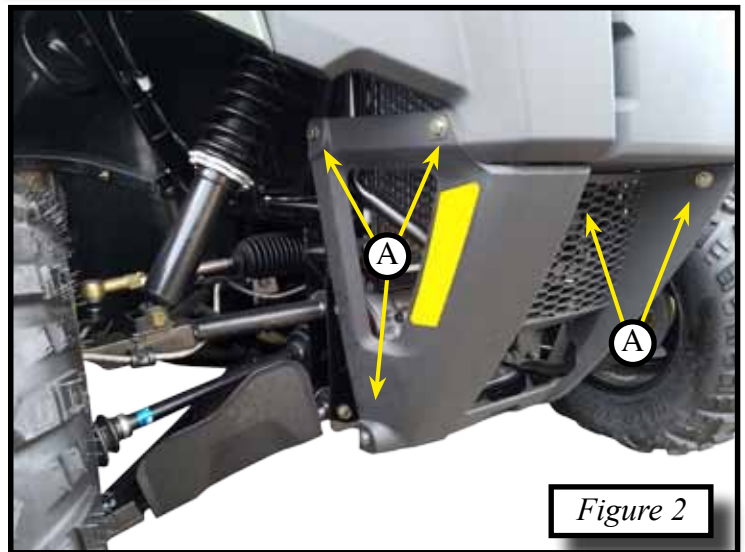


Figure 2

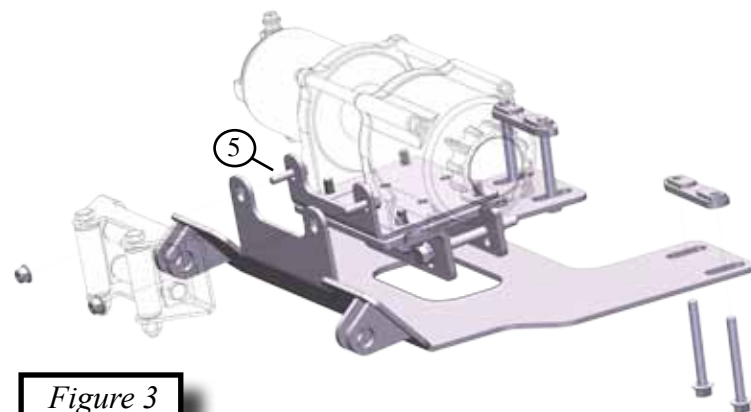


Figure 3

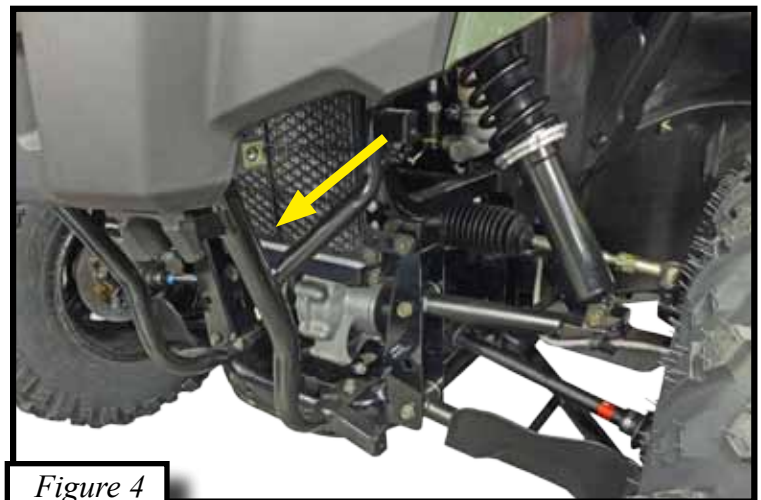


Figure 4

4. Bolt the rear of the plow mount up to the frame, setting the bolt plates (Item #2) on top of the square tubing. Then using the mount as a template drill the two inner holes through the skid plate to fit the bolts (Item #8) through. You can choose to remove your skid plate if you do not want to drill.

5. Set mount channel (Item #3) into location shown in Figures 4 & 5.

6. Attach the U-Bolts (Item #7) around the front frame tubing and into the mount channel. Tighten the U-bolts down evenly. Shown in Figures 5, 6 & 7.

7. Attach the hook bracket (Item #4) to the bottom of the mounting channel using the two 3/8 carriage bolts. Shown in Figures 6 & 7.

*Note: If you choose to reinstall the bumper you will need to cut a small hole out of the plastic grill to make room for the hook bracket. Shown in Figure 8. You do have the option to leave it off for the winter season.*

8. Tighten all hardware down.

9. See ATV Plow Tube System instruction manual for tube attachment.

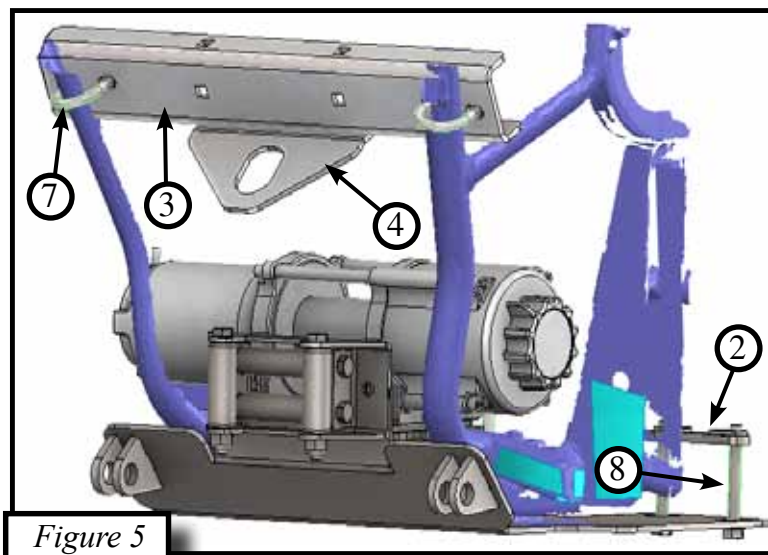


Figure 5

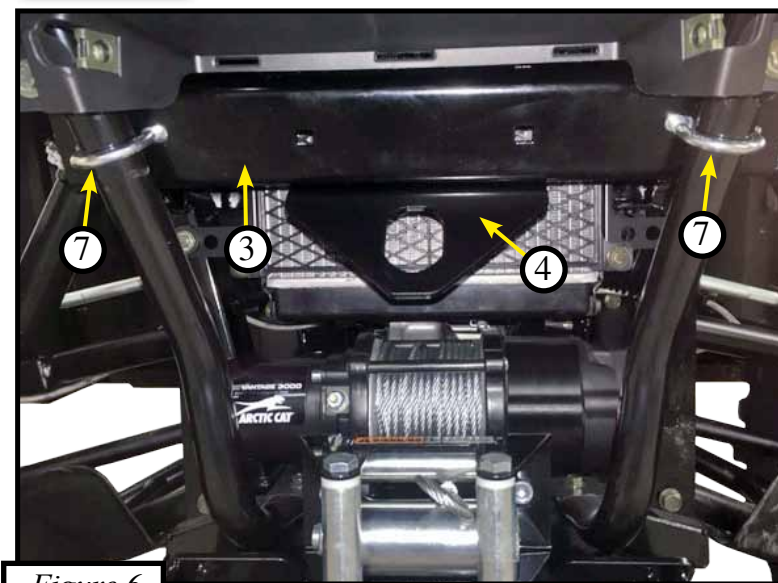


Figure 6

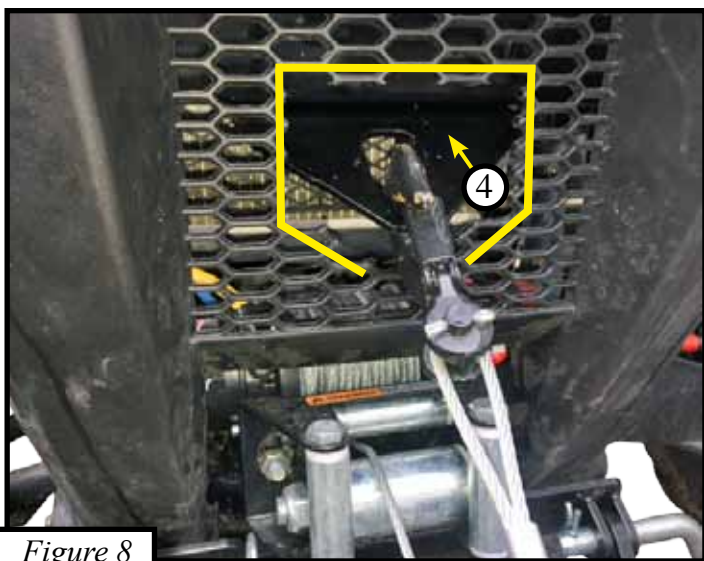


Figure 8

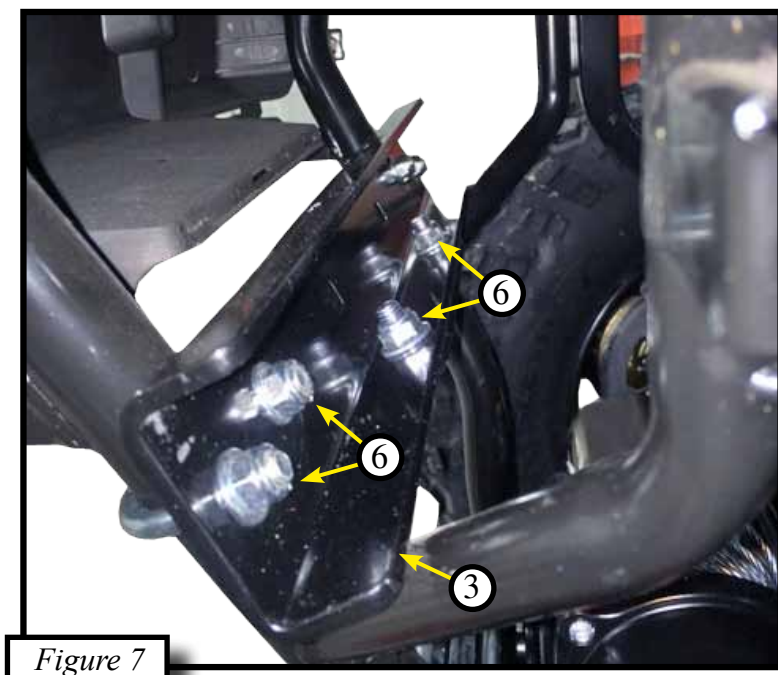


Figure 7

