



Instruction Manual



CC UTV Conversion Push Tube System

Rev-E 12/7/2021

Manual Conventions

This manual uses the following symbols to help differentiate between different kinds of information. The safety symbol is used with a key word to alert you to potential hazards in operating and owning a plow.

Follow all safety messages to avoid or reduce the risk of serious injury or death.

DANGER

DANGER indicates an imminently hazardous situation which, if not avoided, will result in death or serious injury.

WARNING

WARNING indicates a potentially hazardous situation which, if not avoided, could result in death or serious injury.

To help you make informed decisions regarding safety, we have included instructions and information on labels. This information is provided with the intent to help avoid potential hazards that may harm you or others. It is, in no way, possible for us to inform you of every hazard you may come across with this product.

CAUTION

CAUTION indicates a potentially hazardous situation which, if not avoided, may result in minor or moderate injury.

CAUTION

CAUTION used without the safety alert symbol indicates a potentially hazardous situation which, if not avoided, may result in property damage.

NOTE

If you have questions regarding your plow, we can help. Please call our help line at 1-877-346-2050.

Safety Rules

WARNING

- Read this manual thoroughly before operating your plow. Failure to follow instructions could result in serious injury or death.
- Do not exceed 5 mph, even with blade raised.
- Make sure that all nuts and bolts are tightened per installation instructions.
- Never operate this KFI product with missing or damaged parts.
- Drive slowly over bumpy and rough terrain, driving fast could cause damage to winch (if applicable) or plow.
- Never raise the plow above point of contact as it could cause damage to machine or winch (if applicable).
- Always perform regular inspections and maintenance on plow tubes and hardware before use.
- Operate with extreme caution on slopes, steep grades, and rough terrain.
- Be aware of any possible hidden objects under the snow.
- Do not ram the blade into the pile.

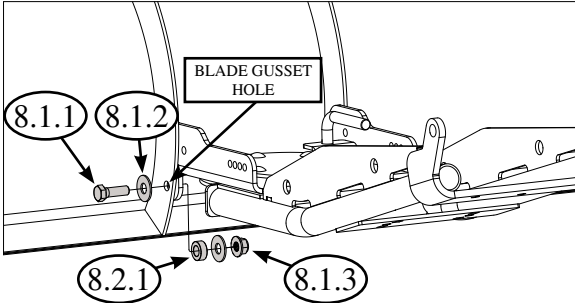
CAUTION

- Take care when installing PLOW SPRINGS as they will be under tension.
- Use care when lifting components into place.

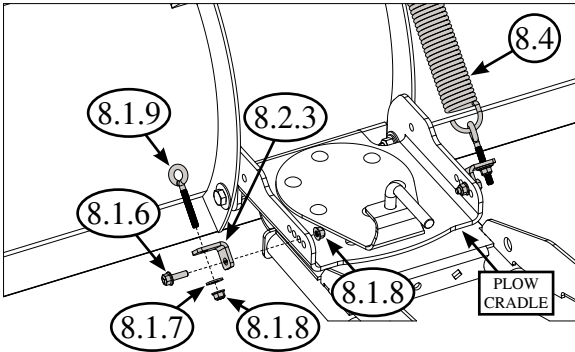
DANGER

- Never stand or ride on the plow.

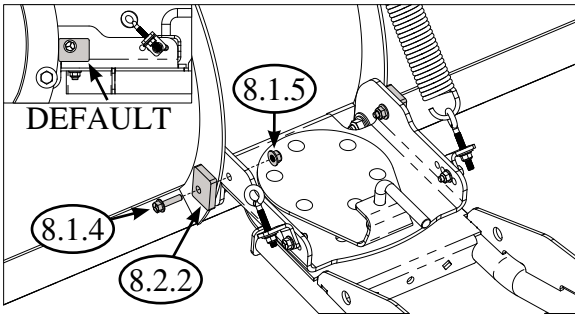
Installation Instructions



"Figure 1" Pivot Bolt Assembly



"Figure 2" Spring Assembly



"Figure 3" Pitch Adjustment
(Spring not shown for clarity.)

1. To secure the blade to the tube system, place the pivot bushing (8.2.1) into the blade gusset hole. Secure the tube system and the blade together with bolts (8.1.1), washers (8.1.2), and lock nuts (8.1.3) as shown in Figure 1. Repeat on other side.

2. Install the plow spring bracket (8.2.3) to the hole on the side of the plow cradle using bolts (8.1.6) and nuts (8.1.8) as shown in Figure 2. Place the eyebolts (8.1.9) into the end of the plow spring bracket (8.2.3) and secure the eyebolts using washers (8.1.7) and nuts (8.1.8) on each side of the spring bracket as shown in Figure 2. Leave spring tension loose as you will decide tension in Step 5.

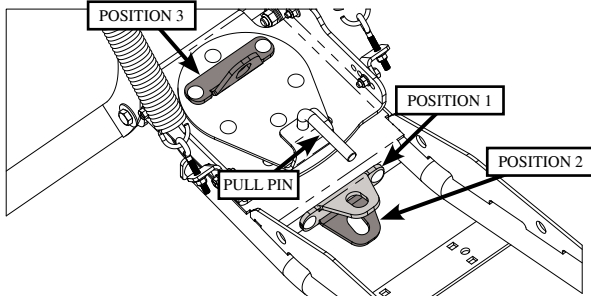
3. Assemble on machine and decide desired pitch of blade. Each face of the angle adjust bracket is 5 degrees of blade pitch adjustment.

Note: Figure 3 shows the default position and a 5° "less pitch" position.

4. With springs (8.4) installed, put blade under tension and install bolts (8.1.4), angle adjustment brackets (8.2.2), and nuts (8.1.5) to desired pitch position.

5. Tighten nuts down on eye bolt until desired spring tension is reached.

Note: For each 1/4" that the nut is tightened it will add 12 lbs of spring tension.



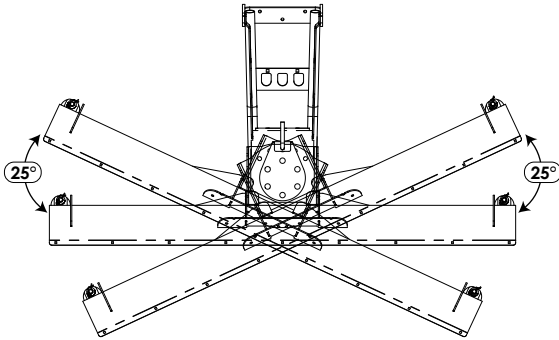
“Figure 4” Lift Hook Attachment Positions

6. The tube system has 3 positions of adjustment for the Lift Hook Bracket.

Position 1 is the default position and works best for most machines.

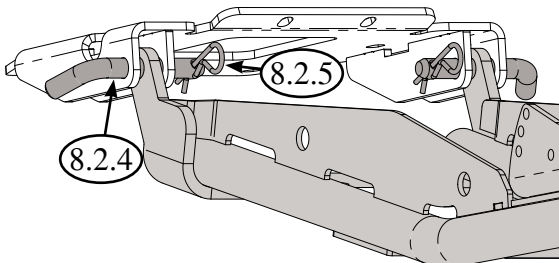
Position 2 uses the same bolt holes, but in this case the bracket is flipped over allowing more clearance between winch and bracket.

Position 3 is used for machines where the cable is at a severe angle. Such as upper mounted winches.



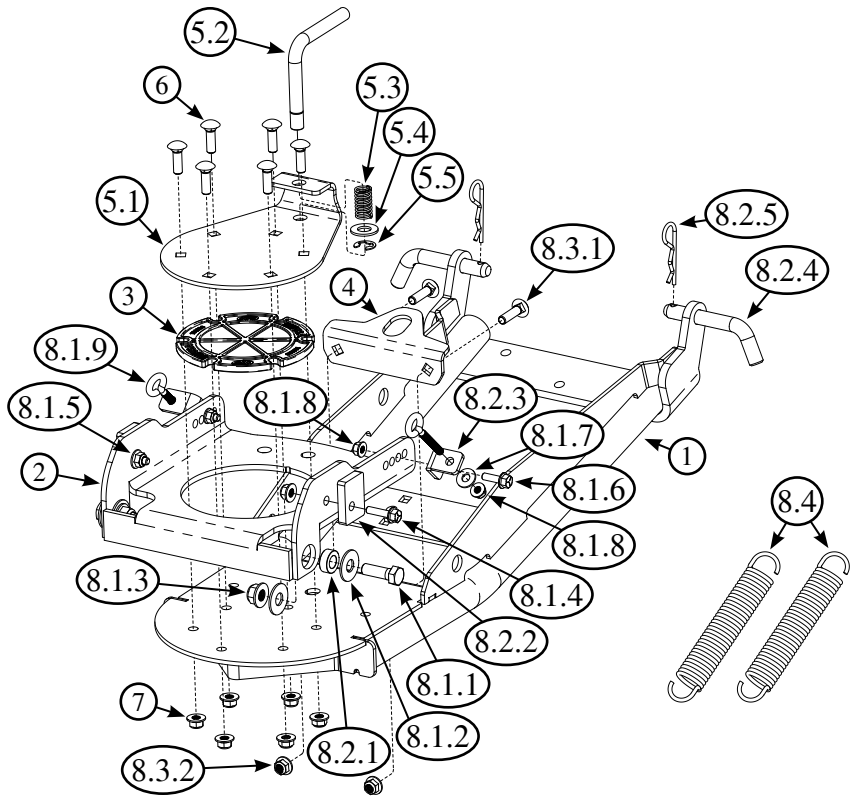
“Figure 5” Blade Rotation Angle

7. The tube system has three positions of rotation for your blade. Each adjustment is at 25 degree increments. In order to make each adjustment you will need to pull on the Pull Pin (Figure 4, Item 5.2) and rotate your blade left or right until you reach the desired angle.



“Figure 6” Tube System Attachment

8. To attach the tube system to any of our mounts, position the tube system with blade installed under your UTV. Raise tube attach points to the mount and line up the holes on mount plate with the holes in the tube system. Insert Hitch Pin (8.2.4) through holes and secure on other side with clip (8.2.5) as shown in Figure 6.



Part # - 105905
Parts List

This kit will also require a Cycle Country
Plow Blade, a vehicle specific Plow
Mount and Winch for lifting the system.

ITEM	PART#	DESCRIPTION	QTY.
1	105636	UTV TUBE FRAME WLDMT	1
2	105684	UTV HYBRID PLOW CRADLE	1
3	106218	BUSHING - PIVOT RING	1
4	105138	BKT - LIFT HOOK	1
5	105139	ASSY - LIFT LOCK LATCH	1
5.1	105025	LIFT LOCK PLATE	1
5.2	105026	PULL PIN	1
5.3	P800267	COMPRESSION SPRING	1
5.4	P890007	9/16" SAE FLAT WASHER	1
5.5	P800268	EXTERNAL RETAINING RING	1
6	P890000	3/8"-16 X 1-1/4" CARRIAGE BOLT	6
7	P890015	3/8"-16 HEX FLANGE LOCK NUT	6
8	105910	KIT - UTV PUSH TUBE PARTS	1
8.1	HK-171	HARDWARE KIT	1
8.1.1	HB-5Z-050-13-150	1/2"-13 X 1-1/2" HEX BOLT	2
8.1.2	FW-USS-Z-050	1/2" USS FLAT WASHER	4
8.1.3	HNNL-ZP-0500-13	1/2"-13 NYLOCK HEX NUT	2
8.1.4	HB-F-5Z-038-16-125	3/8"-16 X 1-1/4" HEX BOLT FLANGE	2
8.1.5	HNFN-5Z-038-16	3/8"-16 FLANGE NYLOCK NUT	2

ITEM	PART#	DESCRIPTION	QTY.
8.1.6	HB-F-5Z-031-18-100	5/16"-18 X 1" HEX BOLT FLANGE	2
8.1.7	FW-USS-Z-031	5/16" USS FLAT WASHER	2
8.1.8	HNFN-5Z-031-18	5/16"-18 FLANGE NYLOCK HEX NUT	4
8.1.9	P800249	5/16"-18 X 9/16" X 3 3/8" EYEBOLT	2
8.2	105911	CC UTV HYBRID KIT	1
8.2.1	105764	CC HYBRID PIVOT BUSHING	2
8.2.2	105763	PLT - CC BLADE ANGLE ADJUST	2
8.2.3	105767	BKT - CC CRADLE PLOW SPRING ATTACH	2
8.2.4	P800558	5/8" HITCH PIN	2
8.2.5	P800559	BRIDGE PIN FOR 5/8" HITCH PIN	2
8.3	HK-176-2	HARDWARE KIT	2
8.3.1	CB-5Z-038-16-150	3/8"-16 X 1 1/2" CARRIAGE BOLT	2
8.3.2	HNFN-5Z-038-16	3/8"-16 HEX FLANGE NYLOCK	2
8.4	P800304	PLOW SPRINGS	2



2 Year Limited Warranty

Kappers Fabricating, Inc. (KFI) warrants to the original purchaser that the product is free from defects in materials and workmanship for a period of two (2) years from the original date of purchase. We will repair or replace, at our discretion, parts found to be defective due to materials or workmanship. This warranty is subject to the following limitations and exclusions:

Commercial Use: The warranty period for any product used for commercial or rental is limited to ninety (90) days from the date of original purchase.

Limitations: This warranty applies only to products which have been properly assembled, adjusted, and operated in accordance with the instructions contained within this manual. This warranty does not apply to any product of Kappers Fabricating, Inc. that has been subject to alteration, misuse, abuse, improper assembly or installation, or shipping damage.

Exclusions: Excluded from this warranty are normal wear, normal adjustments, and normal maintenance.

THIS WARRANTY DOES NOT APPLY TO ANY INCIDENTAL OR CONSEQUENTIAL DAMAGES AND ANY IMPLIED WARRANTIES ARE LIMITED TO THE SAME TIME PERIODS STATED HEREIN FOR ALL EXPRESSED WARRANTIES.

THE WARRANTY SET FORTH ABOVE IS THE ONLY WARRANTY. THERE ARE NO OTHER WARRANTIES, EXPRESS OR IMPLIED, INCLUDING BUT NOT LIMITED TO IMPLIED WARRANTIES OF MERCHANTABILITY OR FITNESS FOR A PARTICULAR PURPOSE.

Some states do not allow the exclusion of implied warranties or the exclusion or limitation of liability for incidental or consequential damages, or limitations on how long an implied warranty lasts, so the above limitation or exclusion may not apply to you. This warranty gives you specific legal rights. You may also have other rights that vary from state to state.

In the event you have a claim under this warranty, contact KFI's Technical Service and KFI will troubleshoot any issue via phone or e-mail. If the problem is not corrected by this method, KFI will, at its option, authorize evaluation, repair or replacement of the defective part or component at a KFI Service Center. KFI will provide you with a case number for warranty service. Please keep it for future reference. Repairs or replacements without prior authorization, or at an unauthorized repair facility, will not be covered by this warranty.

All transportation charges, damage, or loss incurred during transportation of parts submitted for replacement or repair under this warranty shall be borne by the purchaser. Should you have any questions concerning this warranty, please contact us toll-free at 1-877-346-2050. The model number, serial number (If applicable), date of purchase, and the name of the authorized KFI dealer from whom you purchased the product will be needed before any warranty claim can be processed.

For warranty inquiries outside the U.S.A. and Canada, contact your local dealer/distributor.

For countries not covered by a local dealer/distributor, please contact us at www.kfiproducts.com.

Product Registration

Please register your product with Kappers Fabricating, Inc. (KFI) within fifteen (15) days of purchase to assist us in handling any warranty issues that may arise by filling out this Registration card and submitting it with a copy of your sales receipt from one of KFI's official resellers. Failure to complete and return this Registration card does not diminish your warranty rights.

Please refer to the above section for complete terms of this warranty.

WARRANTY IS NON-TRANSFERABLE

Please Print Clearly

Model # _____

Name _____

Street Address _____

City _____ State _____ Zip Code _____

Phone _____ Fax _____ Email _____

Date of Purchase _____ Authorized KFI Dealer Name _____

Fill out and send this section to:
Kappers Fabricating, Inc.
Warranty Registration Department
1015 Industrial Drive, PO Box 32
Spring Valley, MN 55975, U.S.A.



KFI PRODUCTS

721 SATA DR.
Spring Valley, MN 55975

1-877-346-2050