

# CAN-AM MAVERICK TRAIL

## PLOW MOUNT

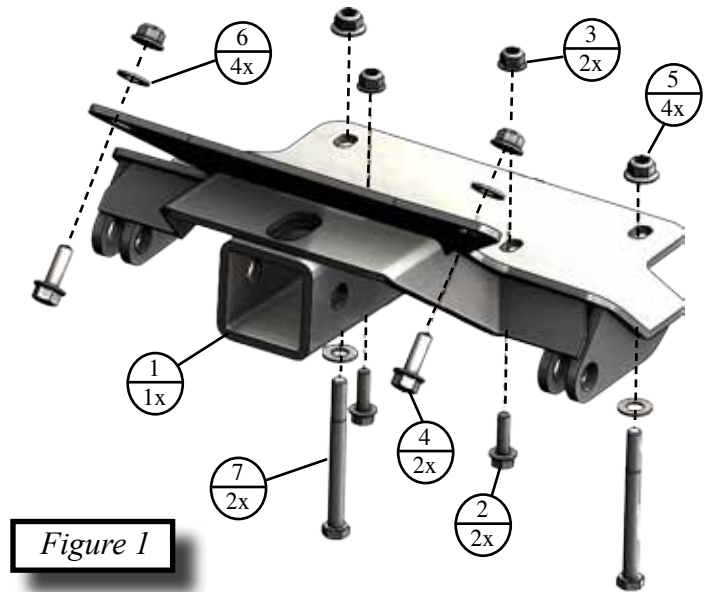
Plow Mount

PART # 105980

Hardware Kit: HK-185

Kit Components:

Item #	Qty.	Description
1	1	Plow Mount
2	2	5/16"-18 X 1" Hex Flange Bolt
3	2	5/16"-18 Hex Flange Nylok Nut
4	2	3/8"-16 X 1" Hex Flange Bolt
5	4	3/8"-16 Flange Nylok Nut
6	4	3/8" SAE Flat Washer
7	2	3/8"-16 X 3-3/4" Hex Bolt



### INSTALLATION INSTRUCTIONS:

*Note: Make sure all of the hardware needed to complete this mount is in the package. Read through and understand the instructions before installing.*

- Place plow mount up to machine, insert the longer 3/8" bolts (7) through mounting plate and machine frame as shown in *Figure 2*. Loosely thread nuts onto bolts, **DO NOT TIGHTEN AT THIS TIME**.
- Insert the shorter 3/8" bolts (4) through mounting plate. If you have the stock OEM bumper apply the 3/8" SAE washers (6) on back side of plate if installing on stock OEM bumper. Disregard washers if installing on KFI winch mount. Position mounting plate, bolts and washers to machine as shown in *Figure 3*. Loosely thread nuts onto bolts. **DO NOT TIGHTEN AT THIS TIME**.
- Insert 5/16" bolts (2) through mounting plate and machine as shown in *Figure 4*. Loosely thread nuts onto bolts. Once all hardware has been installed tighten all hardware down evenly.

