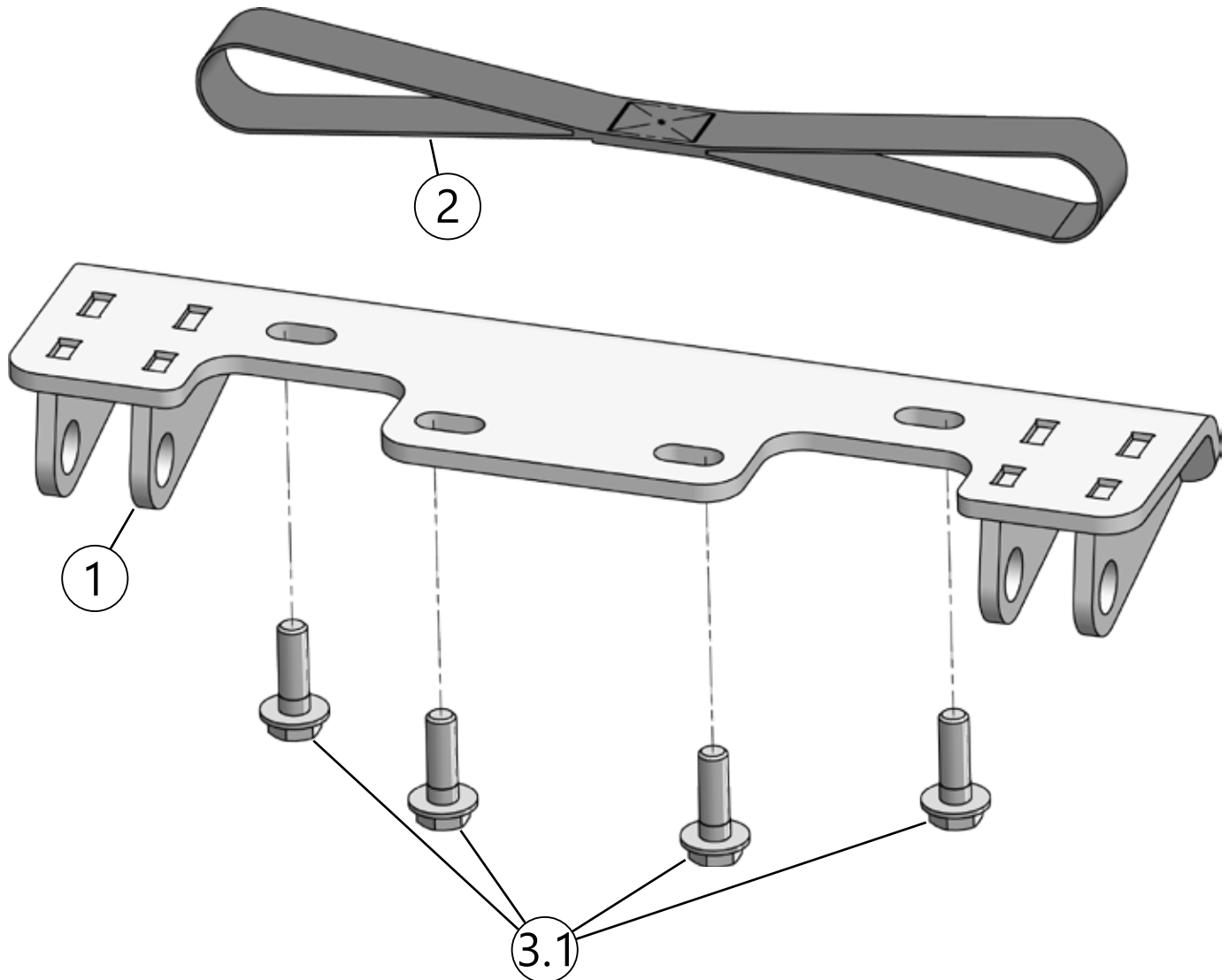


Massimo T-Boss Plow Mount

Plow Mount PART #106010

Kit Components:		
Item #	Qty.	Description
1	1	Plow Mount
2	1	Soft Strap
3	1	HK-350
3.1	4	M10-1.25 X 30 Hex Flange Bolt



INSTALLATION INSTRUCTIONS

Note: Make sure all hardware needed to complete this mount is in the package. Thoroughly read through and understand the instructions before installing.

1. Hold Plow Mount (1) up to the front of the frame aligning holes (A) shown in **Figure 1** with the bolt holes in Plow Mount (1).
2. Once Plow Mount (1) is in place, secure using M10 bolts (3.1) as shown in **Figure 2**.
3. Tighten all hardware evenly.

Note: Due to the location of the winch on this machine, it is recommended to use a plow pulley or plow lever lift to gain the proper lift angle from the winch to the push tubes. Follow the below instructions per your application.

- **Plow Pulley:** Using the supplied Soft Strap (2), tie to the machine in the desired location above the winch on the machine. Route the winch cable down through the pulley and attach the hook to the Soft Strap (2).
- **Plow Lever Lift:** Once Plow Lever Lift is installed on the push tubes, adjust to desired pitch and height then attach the winch cable hook to the 5/8" hitch pin on the Plow Lever Lift.

