

KAWASAKI MULE PRO MX

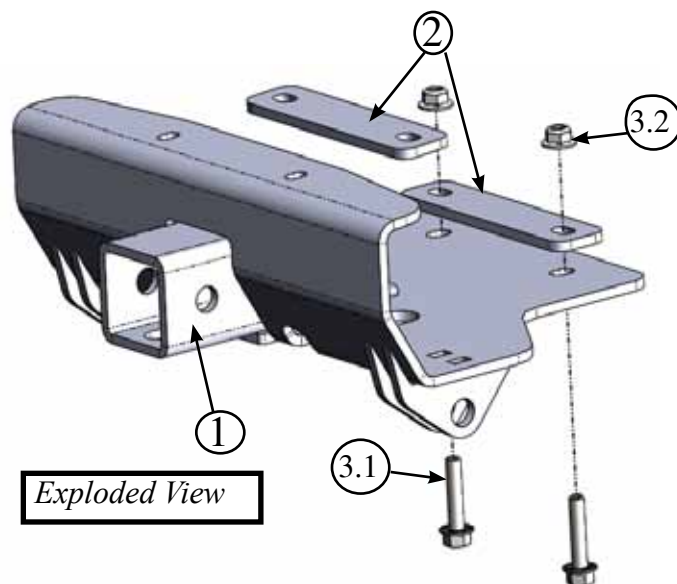
PLOW MOUNT

Plow Mount

PART # 106015

Kit Components:

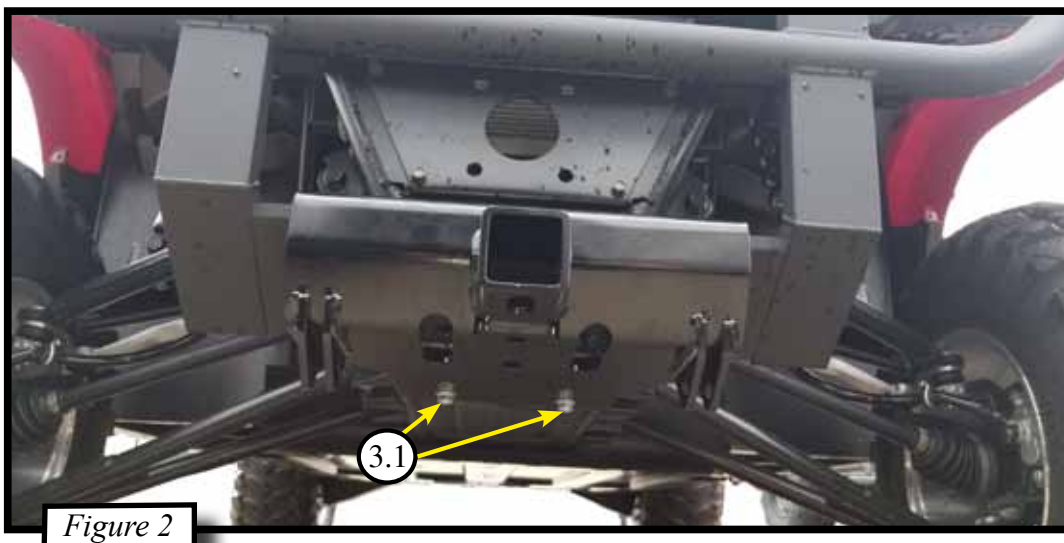
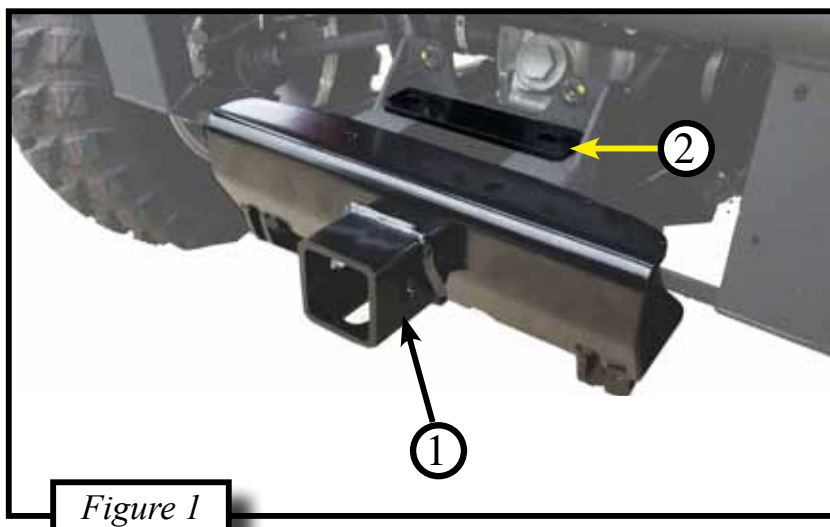
Item #	Qty.	Description
1	1	PLOW MOUNT
2	2	WINCH / BACKER PLATE
3	1	HK-354
3.1	2	3/8" X 1.75 HEX BOLT FLANGE
3.2	2	3/8" HEX NUT FLANGE
4	1	HK-314



INSTALLATION INSTRUCTIONS:

Note: Make sure all of the hardware needed to complete this mount is in the package. Read through and understand the instructions before installing.

1. If you have a winch installed you will need to temporarily remove the winch.
2. Place plow mount (1) and one winch/backer plate (2) into position as shown in Figure 1.
3. Using two (3.1 & 3.2) 3/8" x 1.75 Hex Bolts, 3/8" Hex Nuts and winch/backer plate (2) loosely install as shown in Figures 2 & 3



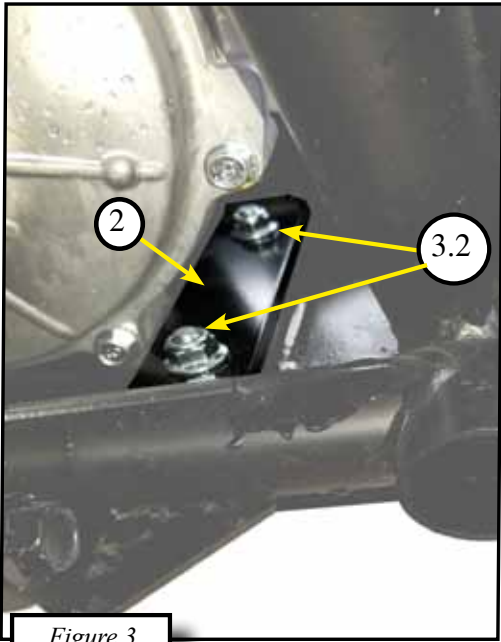


Figure 3

4. Next install / reinstall winch from Step 1 Figures 4 and 5. You will need longer winch bolts. Use HK-314 (4) hardware kit provided to install / reinstall winch. Make sure bolt length is correct for your application.

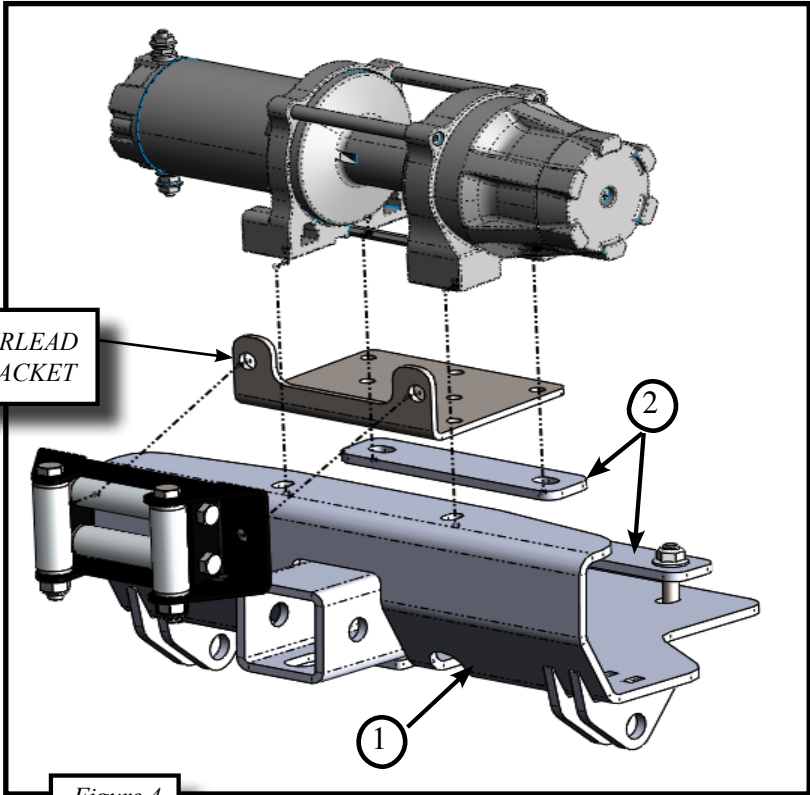


Figure 4



Figure 5

