

PLOW LEVER LIFT

Plow Lever Lift

Part#: 106045

Hardware Kit: HK-155

Kit Components:

Item #	Qty.	Description
1	1	Plow Lever Lift Bracket
2	1	Plow Lever Lift Channel
3	1	5/8" Hitch Pin W / Clip
4	1	HK-155
4.1	4	3/8"-16 x 1-1/2" Carriage Bolt
4.2	2	3/8"-16 x 3" Hex Flanged Bolt
4.3	2	3/8"-16 Hex Flanged Nylok Nut

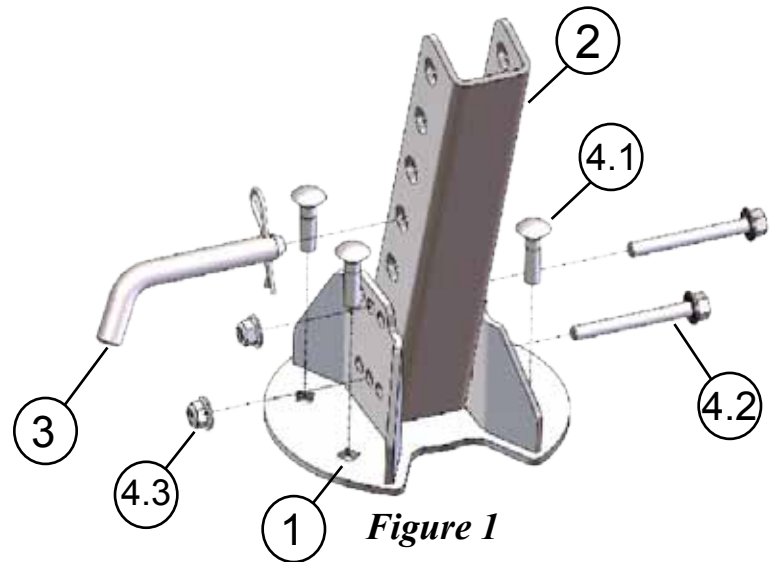


Figure 1

INSTALLATION INSTRUCTIONS:

1. Remove the four 3/8" carriage bolts (A) as shown in Figure 2.
2. Mount Plow Lever Lift Bracket in location (A) using the four longer 3/8" carriage bolts (4.1) supplied in the hardware kit as shown in Figure 1 & 2.

NOTE: Depending on make and model of machine, you will need to adjust plow lever lift to achieve proper lifting angle.

3. Place lever lift arm as far forward towards blade to allow maximum pull as shown in Figure 3 & 4. NOTE: Check location by rotating plow blade as far right & left to make sure nothing hits.
4. Mount plow lever lift channel in location using the two 3/8" bolts (4.2) supplied in the hardware kit as shown in Figure 1.
5. Once desired location has been achieved, tighten all bolts.
6. Place hitch pin (3) in plow lever lift channel (2) to achieve desired lift angle as shown in Figure 3. NOTE: Multiple configurations can be achieved to fit any machine.
7. Attach winch hook (B) to Plow Lever Lift Channel as shown in Figure 3.

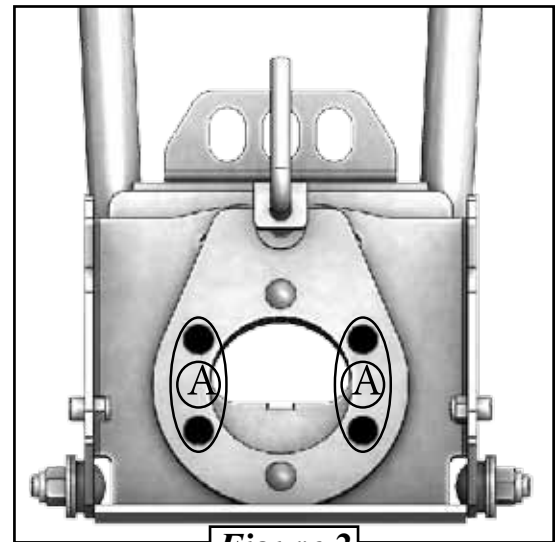


Figure 2

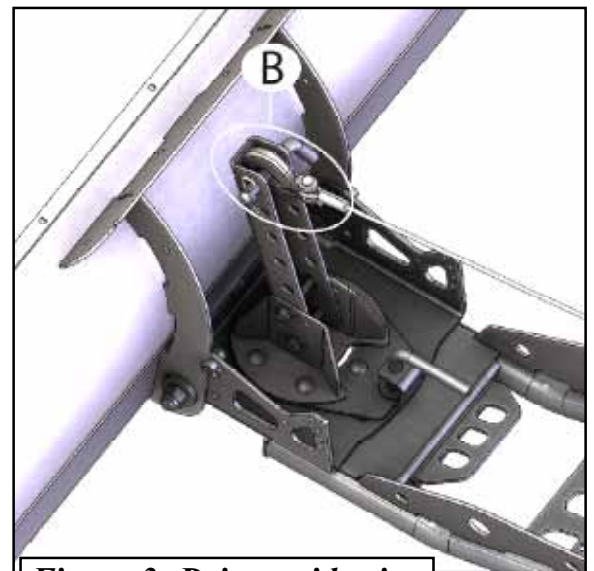


Figure 3: Drivers side view

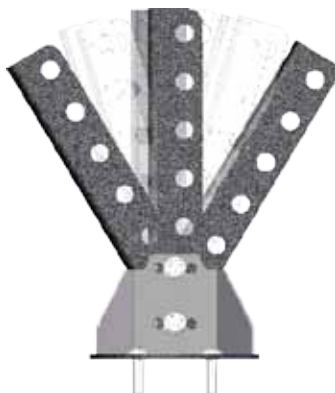


Figure 4

