

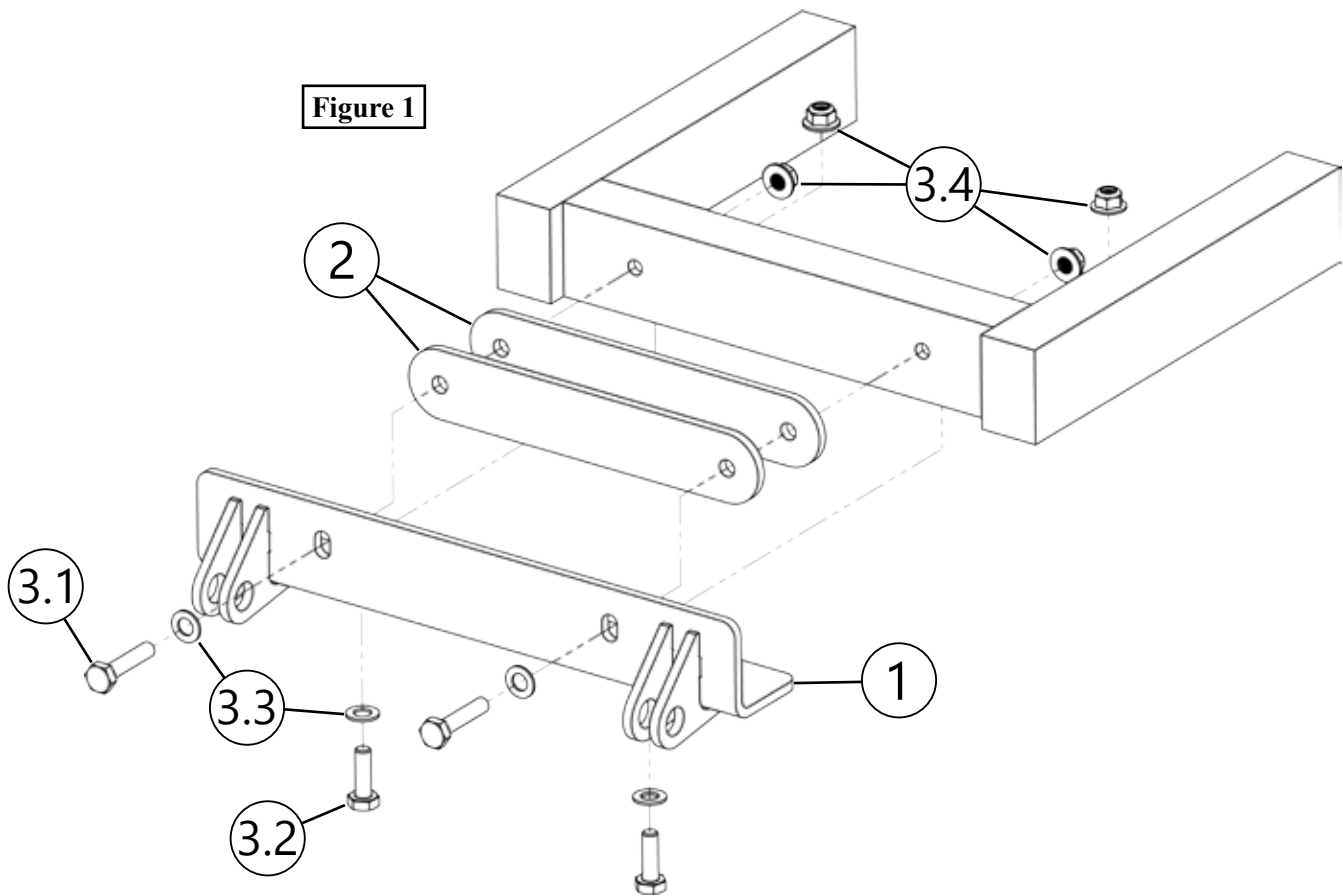
HISUN PLOW MOUNT

Plow Mount

PART #106080

Kit Components:		
Item #	Qty.	Description
1	1	Plow Mount
2	2	Plow Mount Spacer
3	1	HK-380
3.1	2	M10-1.25 X 45 HEX BOLT
3.2	2	M10-1.25 X 30 HEX BOLT
3.3	4	M10 FLAT WASHER
3.4	4	M10-1.25 HEX NUT NYLOCK

Figure 1



INSTALLATION INSTRUCTIONS

Note: Make sure all hardware needed to complete this mount is in the package. Thoroughly read through and understand the instructions before installing.

1. Set plow mount (1) in location (A) with the plow mount spacers (2) between the plow mount and the frame of the machine as shown in **Figure 1, 2 & 3**.

Note: Some machines may come with threaded holes (A) and some may come without threaded holes (A) shown in **Figure 2 & 3**.

Note: In the case that the machine does not have predrilled holes (A) shown in **Figure 2 & 3**, hold plow mount (1) in place and secure using bottom bolts (3.2) and nuts (3.4). Using plow mount (1) as a template, drill front holes (A) using a 7/16" drill bit and proceed to step 2.

2. Fasten the plow mount to the frame of the machine using the four M10 Bolts (3.1 & 3.2) and M10 flat washers (3.3) on both the front side and the bottom side of the mount. Machines that do not have weldnuts in the frame will use the M10 nylock nuts (3.4) included in the hardware kit on the inside of the frame shown in **Figure 1**.

3. Tighten all hardware evenly.

