

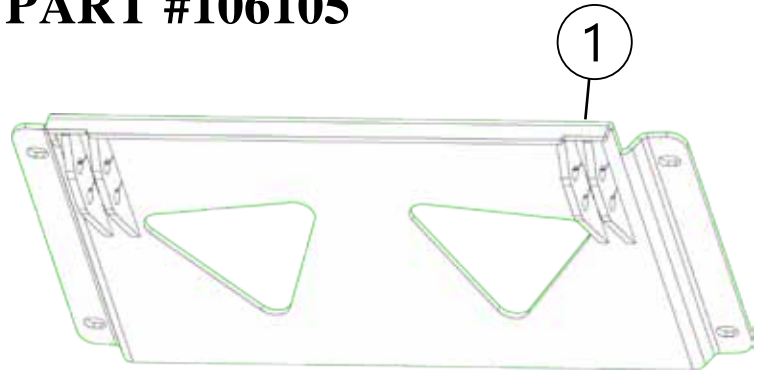
# CFMOTO CForce 600

Plow Mount

PART #106105

## Kit Components:

Item #	Qty.	Description
1	1	Plow Mount



## INSTALLATION INSTRUCTIONS

**Note:** This mount is not supplied with any hardware as all OEM bolts are reused on the machine. Thoroughly read through and understand the instructions before installing.

**Note:** Skid plate removed for clarity. Removal of skid plate will not be required as plow mount (1) will be mounted over it.

1. Remove the outer most OEM hex flange bolts (A) on the first two running board supports as shown in **Figure 1**. Set bolts aside as they will be reused to install plow mount (1).

2. Hold plow mount (1) in place and secure using bolts (A) as shown in **Figure 2**.

**Note:** The side of plow mount (1) with the 90 degree bend on it will be nearest the front of the machine as shown in **Figure 2**.

3. Tighten all hardware evenly.

