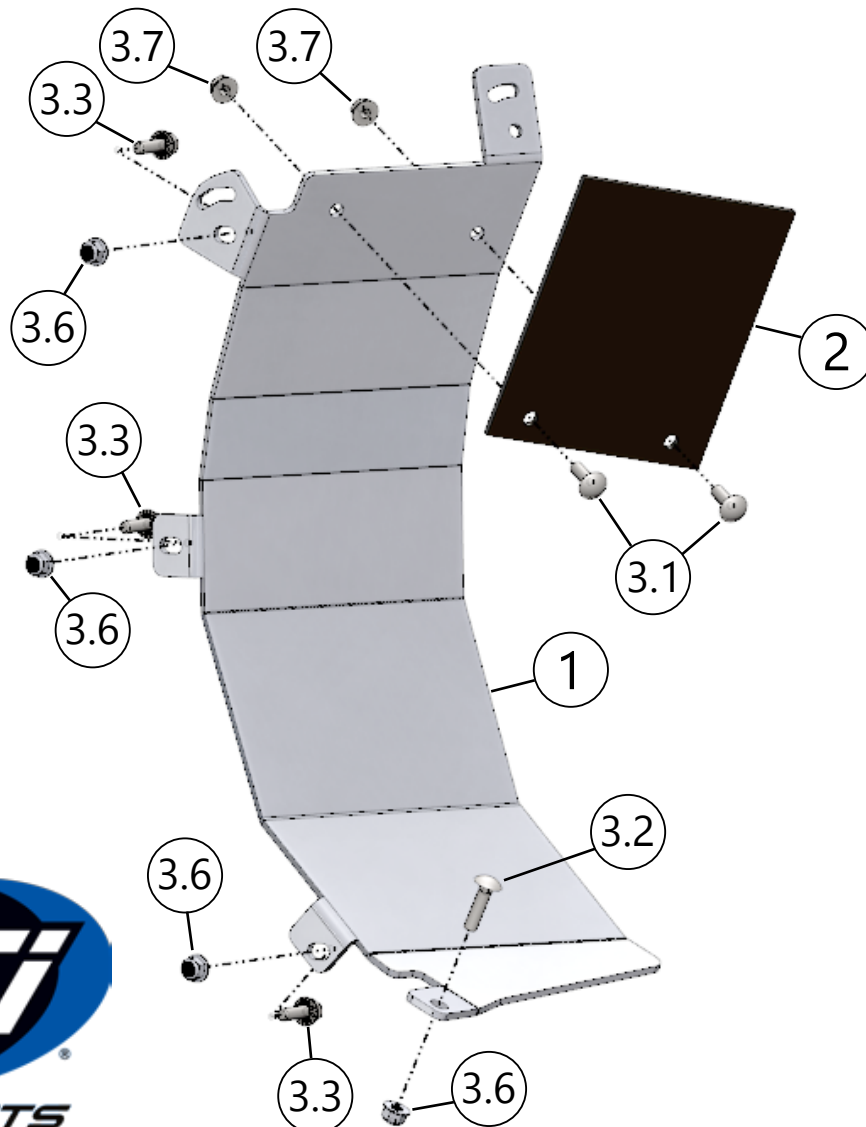


Poly-Pro Tapered Shield

Plow Accessory

PART #106110

Kit Components:		
Item #	Qty.	Description
1	1	Poly Plow Shield Driver Side
2	1	Pro Poly Wing Flap
3	1	HK-364
3.1	2	5/16"-18 x 1.00" Carriage Bolt
3.2	1	5/16"-18 x 1.25" Carriage Bolt
3.3	3	5/16"-18 x 1.00" Hex Flange Bolt
3.4	2	5/16"-18 x 1.75" Hex Flange Bolt (not used)
3.5	1	5/16"-18 x 2.00" Hex Flange Bolt (not used)
3.6	6	5/16"-18 Hex Flange Nylock Nut
3.7	2	5/16"-18 Serr Hex Flange Nut



INSTALLATION INSTRUCTIONS:

Note: Make sure all hardware needed to complete this mount is in the package. Thoroughly read through and understand the instructions before installing.

1. Remove and discard the outermost wear bar carriage bolt (A) on the driver side of the plow as shown in **Figure 1**.
2. Hold Side Shield (1) in place on driver side of the blade and secure using 5/16 bolts (3.3) and 5/16 nuts (3.6) as shown in **Figure 1 & 2**. **Note:** Do not tighten at this time.
3. Once Side Shield is in place, secure wear bar and side shield using the 5/16 bolt (3.2) and 5/16 nut (3.6) as shown in **Figure 3**.
4. If holes are not already in the flap, use the dimensions in Figure 5 to drill two holes in the wing flap (2) using a 3/8" drill bit.
5. Hold Wing Flap (2) in place and secure using 5/16 bolts (3.1) and 5/16 nuts (3.6) as shown in **Figure 4**.
6. Tighten all hardware evenly.

