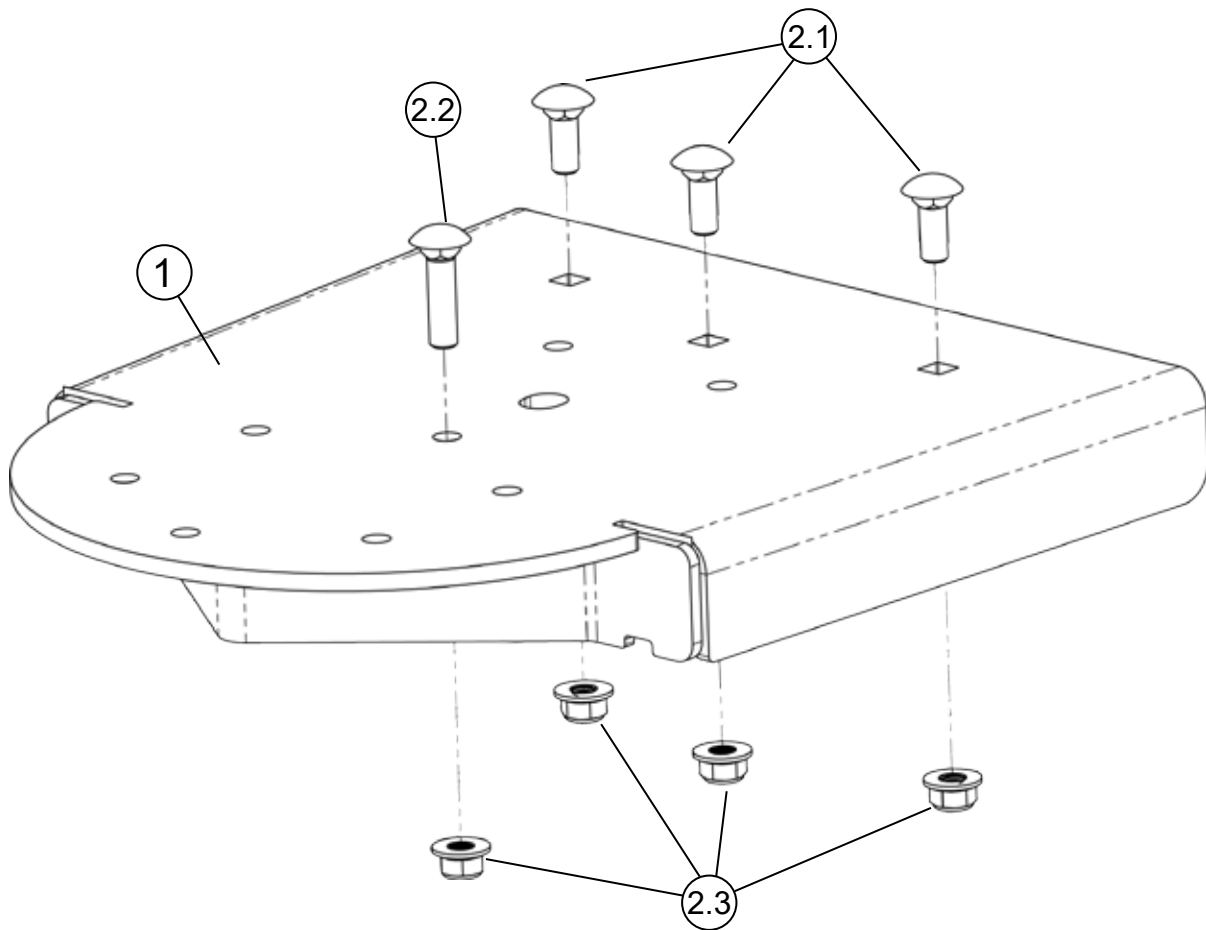


# ATV/UTV Plow System Mid Extension

Plow Accessory

PART #106215 Rev C

| Kit Components: |      |  |
|-----------------|------|--|
| Item #          | Qty. | Description                                |
| 1               | 1    | Mid Push Tube Extension                    |
| 2               | 1    | Hardware Kit (HK-393)                      |
| 2.1             | 8    | 3/8"-16 x 1.00 Carriage Bolt (5 not used)  |
| 2.2             | 2    | 3/8"-16 x 1.50 Carriage Bolt (1 not used)  |
| 2.3             | 8    | 3/8"-16 Hex Flange Nylock Nut (4 not used) |



# INSTALLATION INSTRUCTIONS

**Note:** Make sure all hardware needed to complete this mount is in the package. Thoroughly read through and understand the instructions before installing.

**NOTE:** Mid extension (1) can be installed on either the UTV or ATV push tubes. ATV tube used in reference to this manual.

1. Unbolt hardware (A) and remove cradle (B), Lift latch assembly (C), and pivot bushing (D) shown in **Figure 1**.
2. Loosely install Mid Extension (1) onto push tubes using bolts (2.1) and nuts (2.3) as shown in **Figure 2**.
3. Reinstall pivot bushing (D), lift latch assembly (C), and cradle (B), using hardware (A) removed in step 1 onto Mid Extension (1) as shown in **Figure 3**. **NOTE:** The rear most bolt (A) will be replaced with a longer bolt (2.2) due to additional material thickness.
4. Tighten all hardware evenly.
5. The lift hook can be relocated if it gives a better lift angle from your machine as shown in **Figure 4**.

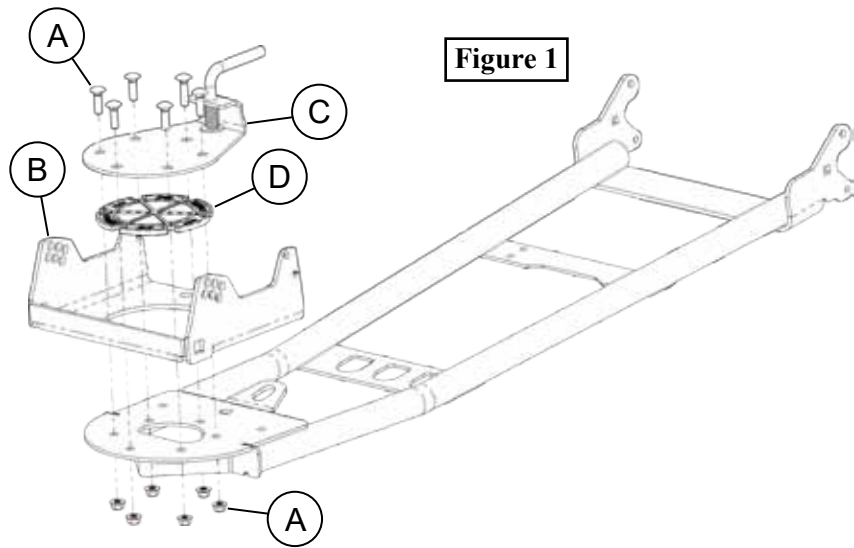


Figure 1

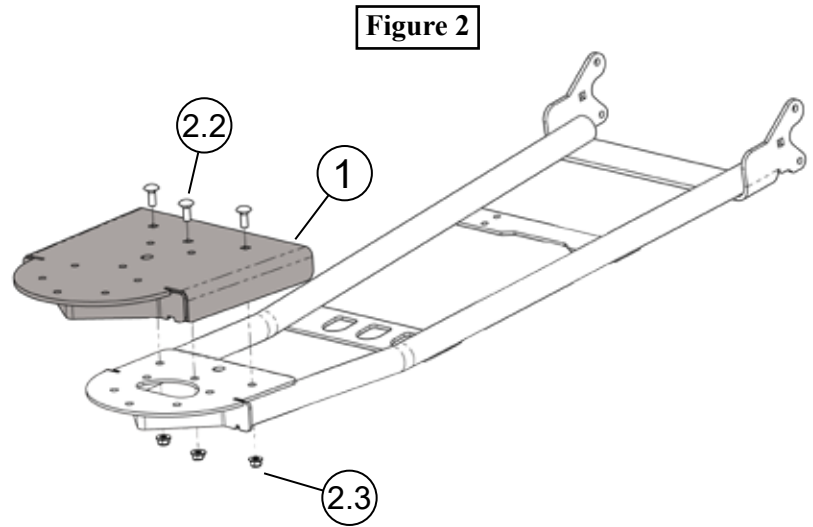


Figure 2

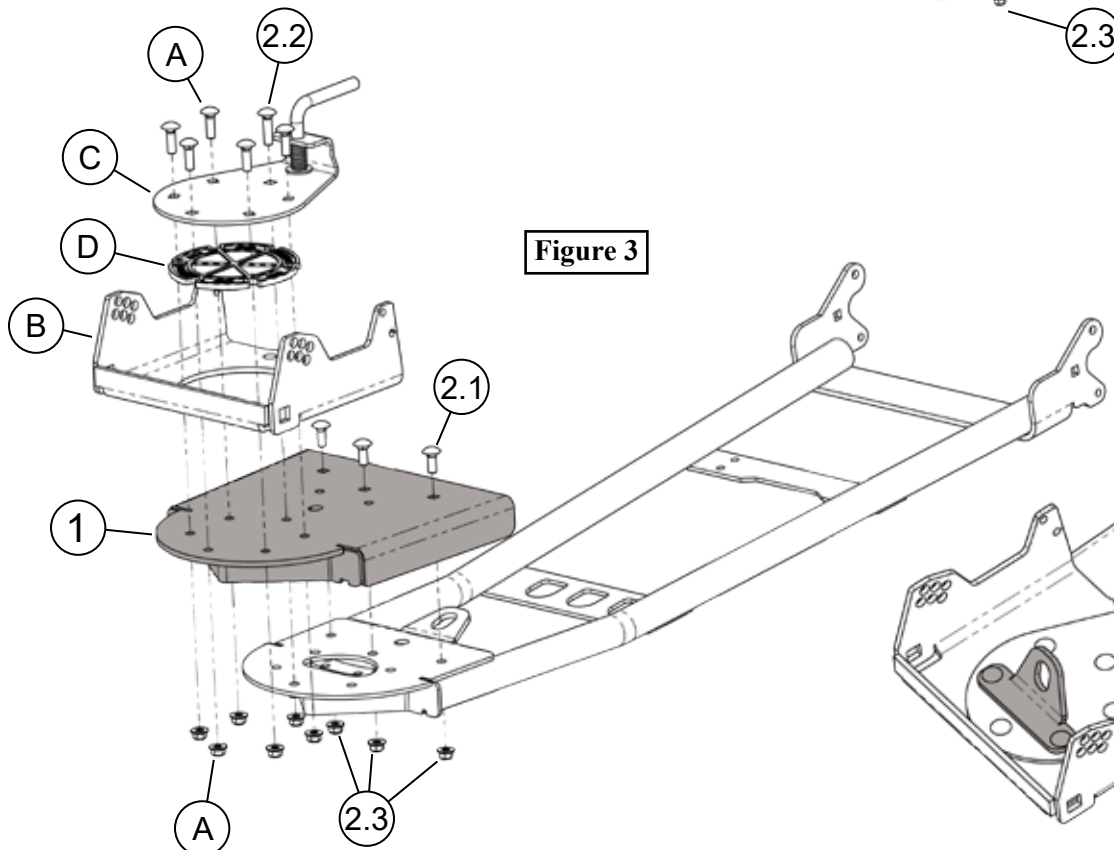


Figure 3

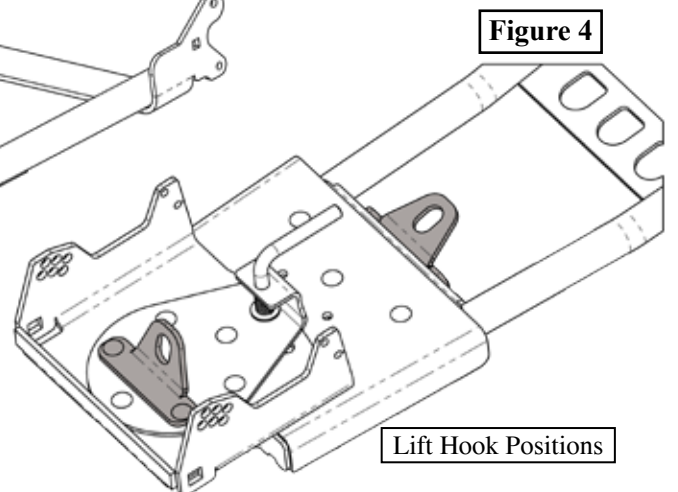


Figure 4

Lift Hook Positions